

HC-HPR-D07-BFH-EMR-BK - Housing



1424637

<https://www.phoenixcontact.com/us/products/1424637>

Please be informed that the data shown in this PDF document is generated from our online catalog. Please find the complete data in the user documentation. Our general terms of use for downloads are valid.



Panel mounting base D7, For screw locking, material: Die-cast zinc, height: 24.3 mm, cable gland: none, protective cover: no, Railway applications, for increased environmental and EMC requirements, Series HPR

Your advantages

- Vibration and shock: IEC 61373/EN 50155, category 1, class 1B

Commercial data

Item number	1424637
Packing unit	1 pc
Minimum order quantity	1 pc
Sales key	BF60
Product key	AF7AAJ
GTIN	4055626375663
Weight per piece (including packing)	48.7 g
Weight per piece (excluding packing)	46.6 g
Customs tariff number	85389099
Country of origin	CN

HC-HPR-D07-BFH-EMR-BK - Housing

1424637

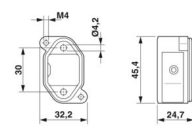
<https://www.phoenixcontact.com/us/products/1424637>

Technical data

Product properties

Product type	Housing with screw locking
Housing type	Panel mounting base
Product family	HC-STA-D07
Series	HPR-D7
Application	Railway applications
Type	D7
Protective cover	no
Shielded	yes
Pg screw connection	none

Dimensions

Dimensional drawing	
Width	32.2 mm
Height	24.3 mm
Length	45.4 mm
Hole diameter	4.2 mm

Installation dimensions

Width of the assembly cutout	22 mm
Length of the assembly cutout	22 mm

Material specifications

Seal material	NBR
	NBR
Housing material	Die-cast zinc
Housing surface material	Powder-coated, black

Environmental and real-life conditions

Ambient conditions

Degree of protection	IP66 (with sealing screw)
	IP68 (0.4 bar / 30 min. with sealing screw)
	IP69 (ISO 20653:2013-02)
Impact strength	IK09
Ambient temperature (operation)	-40 °C ... 125 °C

Mechanical properties

HC-HPR-D07-BFH-EMR-BK - Housing



1424637

<https://www.phoenixcontact.com/us/products/1424637>

Mechanical data

Locking type	Nut
--------------	-----

Mounting

Assembly note	M4 locking screw, slotted hexagon head screw (wrench size 7), tightening torque: 1 Nm. The seal of the pin contact insert should be removed. Max. thread length of the screw connection: 6 mm
	Mount contact insert with sealing screw in the housing

HC-HPR-D07-BFH-EMR-BK - Housing

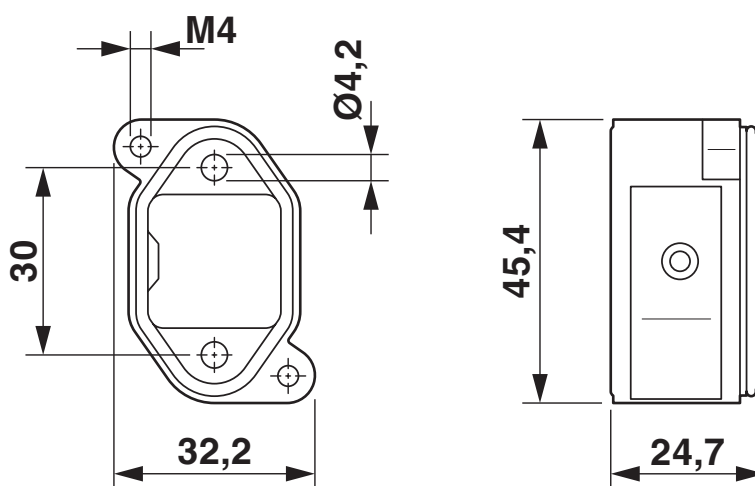
1424637

<https://www.phoenixcontact.com/us/products/1424637>



Drawings

Dimensional drawing



Dimensional drawing

HC-HPR-D07-BFH-EMR-BK - Housing



1424637

<https://www.phoenixcontact.com/us/products/1424637>

Approvals

🔗 To download certificates, visit the product detail page: <https://www.phoenixcontact.com/us/products/1424637>

DNV

Approval ID: TAE000037S

1424637

<https://www.phoenixcontact.com/us/products/1424637>

Classifications

ECLASS

ECLASS-13.0	27440202
ECLASS-15.0	27440202

ETIM

ETIM 10.0	EC000437
-----------	----------

UNSPSC

UNSPSC 21.0	31261500
-------------	----------

1424637

<https://www.phoenixcontact.com/us/products/1424637>

Environmental product compliance

EU RoHS

Fulfills EU RoHS substance requirements	Yes, No exemptions
---	--------------------

China RoHS

Environment friendly use period (EFUP)	EFUP-E
	No hazardous substances above the limits

EU REACH SVHC

REACH candidate substance (CAS No.)	No substance above 0.1 wt%
-------------------------------------	----------------------------

Phoenix Contact 2026 © - all rights reserved
<https://www.phoenixcontact.com>

Phoenix Contact USA
586 Fulling Mill Road
Middletown, PA 17057, United States
(+717) 944-1300
info@phoenixcon.com