

# MH-10CL-MULTI-55-PV-BK - Cable feed-through plates



1424584

<https://www.phoenixcontact.com/us/products/1424584>

Please be informed that the data shown in this PDF document is generated from our online catalog. Please find the complete data in the user documentation. Our general terms of use for downloads are valid.



Cable feed-through plates, no. of conductors: 10, external cable diameter: 6x 2 mm ... 8 mm, 2x 2 mm ... 18 mm, 2x 2 mm ... 30 mm, material: PP (Core), material: TPE-SEBS (external material), color: black, length: 154 mm, width: 56 mm, height: 20 mm

## Your advantages

- The panel cutouts of size B24 heavy-duty connectors can be used.

## Commercial data

Item number	1424584
Packing unit	1 pc
Minimum order quantity	1 pc
Sales key	BF67
Product key	AF7CAX
GTIN	4055626374871
Weight per piece (including packing)	91.3 g
Weight per piece (excluding packing)	91.3 g
Customs tariff number	39269097
Country of origin	FI

# MH-10CL-MULTI-55-PV-BK - Cable feed-through plates



1424584

<https://www.phoenixcontact.com/us/products/1424584>

## Technical data

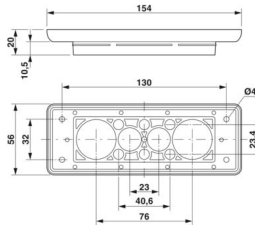
### Product properties

Product type	Cable feed-through
No. of conductors	10

### Connection data

External cable diameter	6x 2 mm ... 8 mm
Tightening torque	1.8 Nm

### Dimensions

Dimensional drawing	
Width	56 mm
Height	20 mm
Length	154 mm
Drill hole distance, horizontal	130 mm
Drill hole distance, vertical	32 mm
Hole diameter	4 mm

### Material specifications

Color	black (RAL 9005)
Material interior	PP (Core)
Material exterior	TPE-SEBS (external material)
Flammability rating according to UL 94	V0

### Cable/line

External cable diameter	6x 2 mm ... 8 mm
	2x 2 mm ... 18 mm
	2x 2 mm ... 30 mm

### Environmental and real-life conditions

#### Ambient conditions

Degree of protection	IP54
Ambient temperature (operation)	-40 °C ... 90 °C

### Mounting

Assembly note	M4 mounting screw, torque: 1.8 Nm, SW5 Allen key
---------------	--

# MH-10CL-MULTI-55-PV-BK - Cable feed-through plates



1424584

<https://www.phoenixcontact.com/us/products/1424584>

The mounting screws provided are to be used for mounting.

Mounting sequence:

- 1) Fix Multigates with the mounting screws provided (observe torque)
- 2) Cut a hole in the membrane/cut off the tip of the cone
- 3) Guide the cable through the opening (from the outside). Withdraw the cable approximately 20 mm (to improve strain relief)

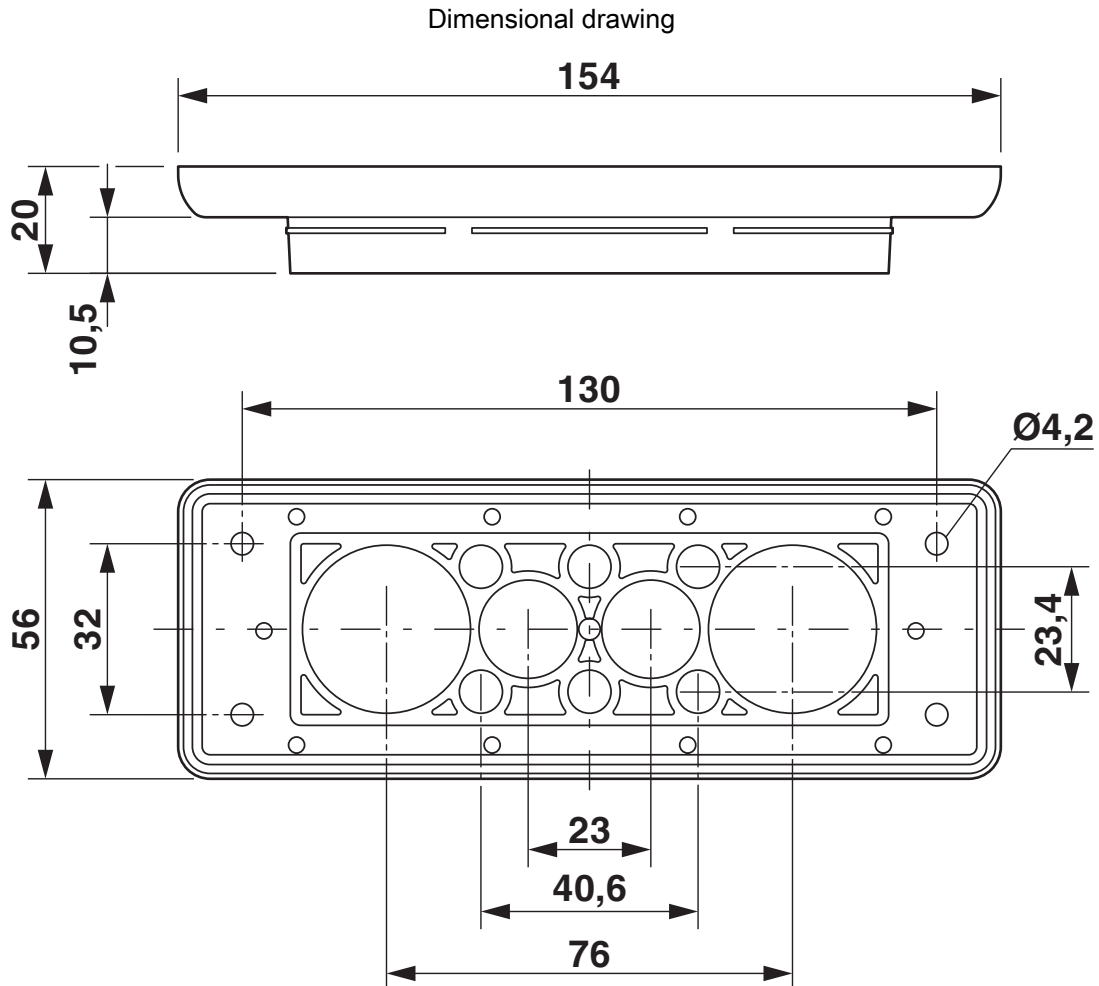
# MH-10CL-MULTI-55-PV-BK - Cable feed-through plates



1424584

<https://www.phoenixcontact.com/us/products/1424584>

## Drawings



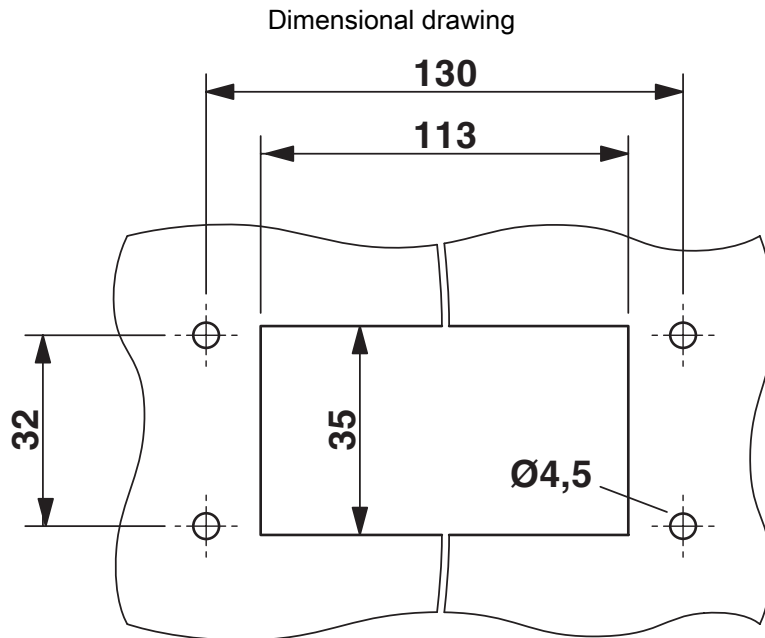
Dimensional drawing

# MH-10CL-MULTI-55-PV-BK - Cable feed-through plates



1424584

<https://www.phoenixcontact.com/us/products/1424584>



Wall cutout drawing

# MH-10CL-MULTI-55-PV-BK - Cable feed-through plates



1424584

<https://www.phoenixcontact.com/us/products/1424584>

## Approvals

🔗 To download certificates, visit the product detail page: <https://www.phoenixcontact.com/us/products/1424584>



**EAC-RoHS**

Approval ID: RU D-DE.HB35.B.00387

# MH-10CL-MULTI-55-PV-BK - Cable feed-through plates



1424584

<https://www.phoenixcontact.com/us/products/1424584>

## Classifications

### ECLASS

ECLASS-13.0	27400569
ECLASS-15.0	27400569

### ETIM

ETIM 10.0	EC001004
-----------	----------

### UNSPSC

UNSPSC 21.0	31163000
-------------	----------

# MH-10CL-MULTI-55-PV-BK - Cable feed-through plates



1424584

<https://www.phoenixcontact.com/us/products/1424584>

## Environmental product compliance

### EU RoHS

Fulfills EU RoHS substance requirements	Yes, No exemptions
---	--------------------

### China RoHS

Environment friendly use period (EFUP)	EFUP-E
	No hazardous substances above the limits

### EU REACH SVHC

REACH candidate substance (CAS No.)	No substance above 0.1 wt%
-------------------------------------	----------------------------

Phoenix Contact 2026 © - all rights reserved  
<https://www.phoenixcontact.com>

Phoenix Contact USA  
586 Fulling Mill Road  
Middletown, PA 17057, United States  
(+717) 944-1300  
[info@phoenixcon.com](mailto:info@phoenixcon.com)