

# A-INL-PG9-P-BK - Counter nut

1424559

<https://www.phoenixcontact.com/us/products/1424559>

Please be informed that the data shown in this PDF document is generated from our online catalog. Please find the complete data in the user documentation. Our general terms of use for downloads are valid.

Counter nut, connecting thread: Pg9, color: jet black



## Commercial data

Item number	1424559
Packing unit	10 pc
Minimum order quantity	1 pc
Sales key	BF68
Product key	AF7DZX
GTIN	4055626374635
Weight per piece (including packing)	1.89 g
Weight per piece (excluding packing)	1.86 g
Customs tariff number	39269097
Country of origin	TR

# A-INL-PG9-P-BK - Counter nut

1424559

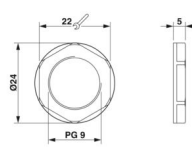
<https://www.phoenixcontact.com/us/products/1424559>

## Technical data

### Product properties

Product type	Flat nut
--------------	----------

### Dimensions

Dimensional drawing	
Length	5 mm
Diameter	15.2 mm
Connecting thread diameter	15.2 mm
Wrench size, counter nut	22 mm
Hexagon angular dimension	24 mm
Thread type connection side	Pg9

### Material specifications

Material	PA 6.6 GF
Flammability rating according to UL 94	V2

### Cable/line

Halogen-free	yes
--------------	-----

### Environmental and real-life conditions

#### Ambient conditions

Ambient temperature (operation)	-40 °C ... 100 °C
---------------------------------	-------------------

# A-INL-PG9-P-BK - Counter nut

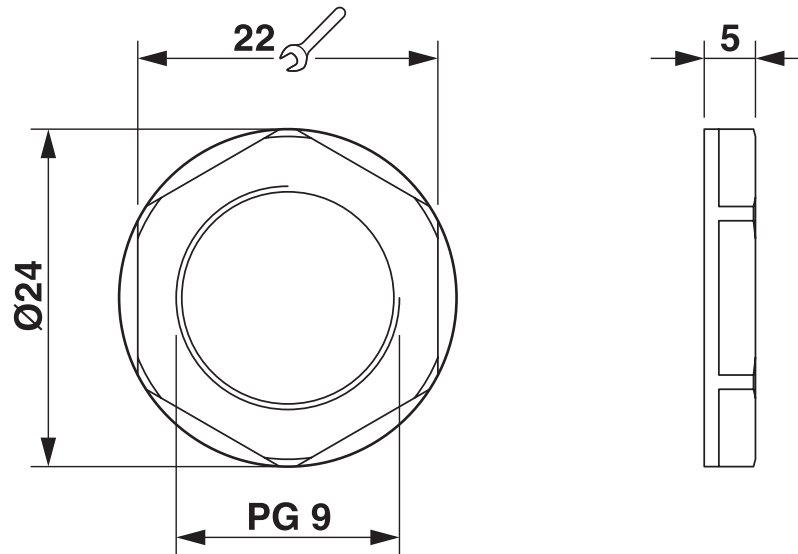
1424559

<https://www.phoenixcontact.com/us/products/1424559>



## Drawings

Dimensional drawing



# A-INL-PG9-P-BK - Counter nut



1424559

<https://www.phoenixcontact.com/us/products/1424559>

## Classifications

### ECLASS

ECLASS-13.0	27140807
ECLASS-15.0	27140807

### ETIM

ETIM 10.0	EC003608
-----------	----------

### UNSPSC

UNSPSC 21.0	31161700
-------------	----------

# A-INL-PG9-P-BK - Counter nut



1424559

<https://www.phoenixcontact.com/us/products/1424559>

## Environmental product compliance

### EU RoHS

Fulfills EU RoHS substance requirements	Yes, No exemptions
---	--------------------

### China RoHS

Environment friendly use period (EFUP)	EFUP-E
	No hazardous substances above the limits

### EU REACH SVHC

REACH candidate substance (CAS No.)	No substance above 0.1 wt%
-------------------------------------	----------------------------

Phoenix Contact 2026 © - all rights reserved  
<https://www.phoenixcontact.com>

Phoenix Contact USA  
586 Fulling Mill Road  
Middletown, PA 17057, United States  
(+717) 944-1300  
[info@phoenixcon.com](mailto:info@phoenixcon.com)