

# A-INL-PG21-P-LG - Counter nut

1424553

<https://www.phoenixcontact.com/us/products/1424553>

Please be informed that the data shown in this PDF document is generated from our online catalog. Please find the complete data in the user documentation. Our general terms of use for downloads are valid.

Counter nut, connecting thread: Pg21, color: light gray



## Commercial data

Item number	1424553
Packing unit	5 pc
Minimum order quantity	1 pc
Sales key	BF68
Product key	AF7DZX
GTIN	4055626374574
Weight per piece (including packing)	5.14 g
Weight per piece (excluding packing)	5.14 g
Customs tariff number	39269097
Country of origin	TR

# A-INL-PG21-P-LG - Counter nut

1424553

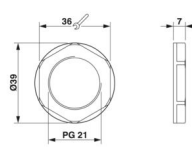
<https://www.phoenixcontact.com/us/products/1424553>

## Technical data

### Product properties

Product type	Flat nut
--------------	----------

### Dimensions

Dimensional drawing	
Length	7 mm
Diameter Connecting thread	28.3 mm
Connecting thread diameter	28.3 mm
Wrench size, counter nut	36 mm
Hexagon angular dimension	39 mm
Thread type connection side	Pg21

### Material specifications

Material	PA 6.6 GF
Flammability rating according to UL 94	V2

### Cable/line

Halogen-free	yes
--------------	-----

### Environmental and real-life conditions

#### Ambient conditions

Ambient temperature (operation)	-40 °C ... 100 °C
---------------------------------	-------------------

# A-INL-PG21-P-LG - Counter nut

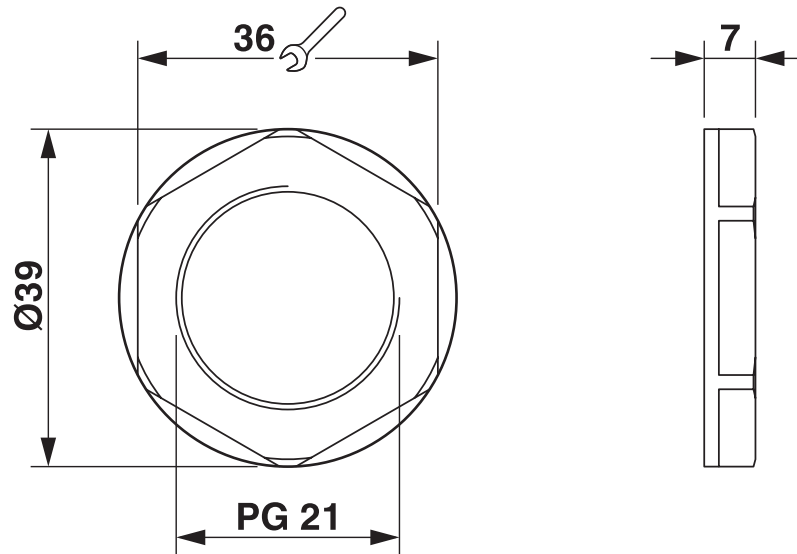
1424553

<https://www.phoenixcontact.com/us/products/1424553>



## Drawings

Dimensional drawing



# A-INL-PG21-P-LG - Counter nut



1424553

<https://www.phoenixcontact.com/us/products/1424553>

## Classifications

### ECLASS

ECLASS-13.0	27140807
ECLASS-15.0	27140807

### ETIM

ETIM 10.0	EC003608
-----------	----------

### UNSPSC

UNSPSC 21.0	31161700
-------------	----------

# A-INL-PG21-P-LG - Counter nut



1424553

<https://www.phoenixcontact.com/us/products/1424553>

## Environmental product compliance

### EU RoHS

Fulfills EU RoHS substance requirements	Yes, No exemptions
---	--------------------

### China RoHS

Environment friendly use period (EFUP)	EFUP-E
	No hazardous substances above the limits

### EU REACH SVHC

REACH candidate substance (CAS No.)	No substance above 0.1 wt%
-------------------------------------	----------------------------

Phoenix Contact 2026 © - all rights reserved  
<https://www.phoenixcontact.com>

Phoenix Contact USA  
586 Fulling Mill Road  
Middletown, PA 17057, United States  
(+717) 944-1300  
[info@phoenixcon.com](mailto:info@phoenixcon.com)