

G-INS-M12-M68N-SNES-S - Cable gland



1424541

<https://www.phoenixcontact.com/us/products/1424541>

Please be informed that the data shown in this PDF document is generated from our online catalog. Please find the complete data in the user documentation. Our general terms of use for downloads are valid.



Cable gland, material for screw connection: Stainless steel 1.4305, application: Standard, external cable diameter 3 mm ... 6.5 mm, shielding: no, connecting thread: M12 x 1.5, color: silver-colored, with O-ring

Commercial data

Item number	1424541
Packing unit	1 pc
Minimum order quantity	1 pc
Sales key	BF68
Product key	AF7DAX
GTIN	4055626374468
Weight per piece (including packing)	15.8 g
Weight per piece (excluding packing)	15.8 g
Customs tariff number	73269098
Country of origin	TR

G-INS-M12-M68N-SNES-S - Cable gland



1424541

<https://www.phoenixcontact.com/us/products/1424541>

Technical data

Mounting

Assembly note	1) Mount screw connection support in the housing using the correct torque 2) Insert cable 3) Tighten union nut using the correct torque
---------------	---

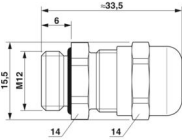
Product properties

Product type	Cable screw gland
Application	Standard
No. of conductors	1
Manufacturer	BIMED
Manufacturer Designation	BMSC-0S
Shielded	no
Execution of the strain relief	A

Characteristics

Category of shock impact	2
Design, Strain relief	A

Dimensions

Dimensional drawing	
Length	33.5 mm
Length of the connecting thread	6 mm
Hole diameter	12.1 mm ... 12.3 mm
Wrench size, union nut	14 mm
Wrench size, support	14 mm
Hexagon angular dimension	15.5 mm
Thread type connection side	M12 x 1.5
Thread pitch	1.5 mm

Connection data

Tightening torque	5.5 Nm (Cap nut)
	3 Nm (Support sleeve)
	for UL514 B: union nut

Material specifications

Color	Steel/stainless steel color
Material Compression ring	PA 6
Seal material O-ring	Perbunan

G-INS-M12-M68N-SNES-S - Cable gland



1424541

<https://www.phoenixcontact.com/us/products/1424541>

Seal material Cable seal	CR
Material for screw connection	Stainless steel 1.4305

Cable/line

External cable diameter Cable 1	3 mm ... 6.5 mm
External cable diameter	4 mm ... 6.5 mm (for UL 514 B)

Environmental and real-life conditions

Ambient conditions

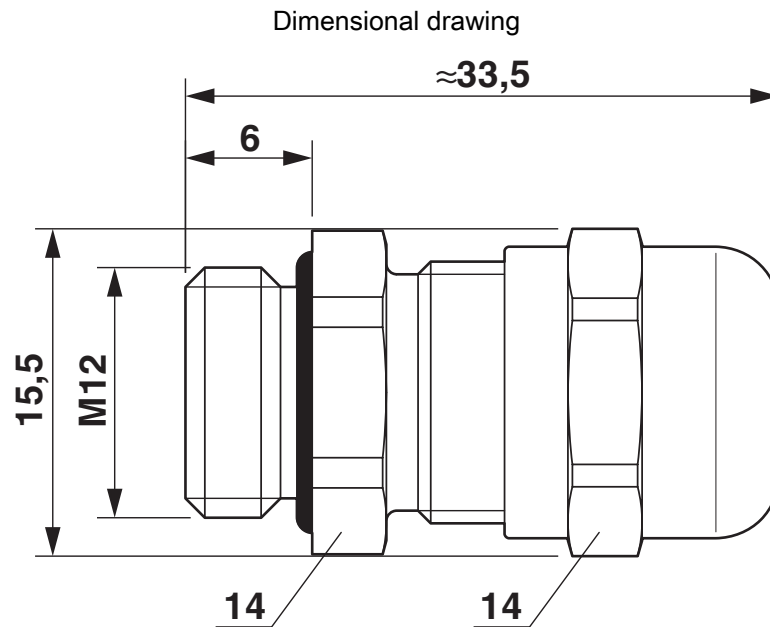
Degree of protection	IP68 (5 bar, 30 min.)
	IP66
	IP69
Ambient temperature (operation)	-40 °C ... 100 °C (static)

G-INS-M12-M68N-SNES-S - Cable gland

1424541

<https://www.phoenixcontact.com/us/products/1424541>

Drawings



Dimensional drawing

G-INS-M12-M68N-SNES-S - Cable gland



1424541

<https://www.phoenixcontact.com/us/products/1424541>

Approvals

To download certificates, visit the product detail page: <https://www.phoenixcontact.com/us/products/1424541>



cUL Recognized
Approval ID: E199260



UL Recognized
Approval ID: E199260

G-INS-M12-M68N-SNES-S - Cable gland



1424541

<https://www.phoenixcontact.com/us/products/1424541>

Classifications

ECLASS

ECLASS-13.0	27140801
ECLASS-15.0	27140801

ETIM

ETIM 10.0	EC000441
-----------	----------

UNSPSC

UNSPSC 21.0	39121300
-------------	----------

G-INS-M12-M68N-SNES-S - Cable gland



1424541

<https://www.phoenixcontact.com/us/products/1424541>

Environmental product compliance

EU RoHS

Fulfills EU RoHS substance requirements	Yes, No exemptions
---	--------------------

China RoHS

Environment friendly use period (EFUP)	EFUP-E
	No hazardous substances above the limits

EU REACH SVHC

REACH candidate substance (CAS No.)	No substance above 0.1 wt%
-------------------------------------	----------------------------

Phoenix Contact 2026 © - all rights reserved
<https://www.phoenixcontact.com>

Phoenix Contact USA
586 Fulling Mill Road
Middletown, PA 17057, United States
(+717) 944-1300
info@phoenixcon.com