

# G-INS-M32-S68N-NNES-S - Cable gland



1424528

<https://www.phoenixcontact.com/us/products/1424528>

Please be informed that the data shown in this PDF document is generated from our online catalog. Please find the complete data in the user documentation. Our general terms of use for downloads are valid.



Cable gland, material for screw connection: Brass, nickel-plated, application: Standard, external cable diameter 13 mm ... 18 mm, shielding: no, connecting thread: M32 x 1.5, color: silver-colored, with O-ring

## Commercial data

Item number	1424528
Packing unit	5 pc
Minimum order quantity	1 pc
Sales key	BF68
Product key	AF7DAX
GTIN	4055626374338
Weight per piece (including packing)	88.54 g
Weight per piece (excluding packing)	88.54 g
Customs tariff number	74198090
Country of origin	TR

# G-INS-M32-S68N-NNES-S - Cable gland

1424528

<https://www.phoenixcontact.com/us/products/1424528>

## Technical data

### Mounting

Assembly note	1) Mount screw connection support in the housing using the correct torque 2) Insert cable 3) Tighten union nut using the correct torque
---------------	---

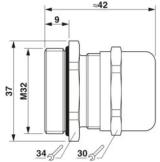
### Product properties

Product type	Cable screw gland
Application	Standard
No. of conductors	1
Manufacturer	BIMED
Manufacturer Designation	BMBC-04
Shielded	no
Execution of the strain relief	A

### Characteristics

Category of shock impact	6
Design, Strain relief	A

### Dimensions

Dimensional drawing	
Length	42 mm
Length of the connecting thread	9 mm
Hole diameter	32.1 mm ... 32.3 mm
Wrench size, union nut	30 mm
Wrench size, support	34 mm
Hexagon angular dimension	37 mm
Thread type connection side	M32 x 1.5
Thread pitch	1.5 mm

### Connection data

Tightening torque	17 Nm $\pm$ 1 Nm (Cap nut)
	6 Nm (Support sleeve)

### Material specifications

Color	brass color
Material Compression ring	PA 6
Seal material O-ring	Perbunan
Seal material Cable seal	CR

# G-INS-M32-S68N-NNES-S - Cable gland



1424528

<https://www.phoenixcontact.com/us/products/1424528>

Material for screw connection	Brass, nickel-plated
-------------------------------	----------------------

## Cable/line

External cable diameter Cable 1	13 mm ... 18 mm
External cable diameter	13 mm ... 18 mm (for UL 514 B)

## Environmental and real-life conditions

### Ambient conditions

Degree of protection	IP66
	IP68 (5 bar, 30 min.)
	IP69 (DIN EN 60529 / IEC 60529)
Ambient temperature (operation)	-40 °C ... 100 °C (static)

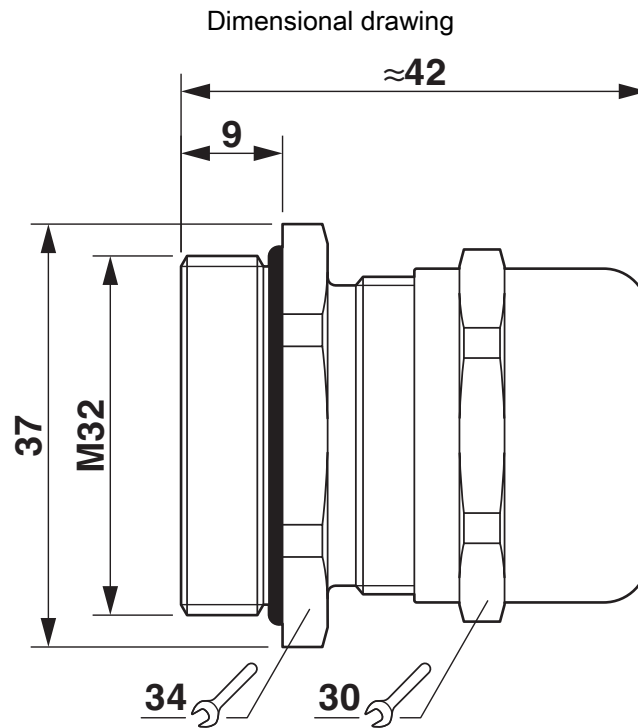
# G-INS-M32-S68N-NNES-S - Cable gland



1424528

<https://www.phoenixcontact.com/us/products/1424528>

## Drawings



Dimensional drawing

# G-INS-M32-S68N-NNES-S - Cable gland



1424528

<https://www.phoenixcontact.com/us/products/1424528>

## Approvals

To download certificates, visit the product detail page: <https://www.phoenixcontact.com/us/products/1424528>

### DNV

Approval ID: TAE00003WY



### UL Listed

Approval ID: E199260



### cUL Listed

Approval ID: E199260

# G-INS-M32-S68N-NNES-S - Cable gland



1424528

<https://www.phoenixcontact.com/us/products/1424528>

## Classifications

### ECLASS

ECLASS-13.0	27140801
ECLASS-15.0	27140801

### ETIM

ETIM 10.0	EC000441
-----------	----------

### UNSPSC

UNSPSC 21.0	39121300
-------------	----------

# G-INS-M32-S68N-NNES-S - Cable gland



1424528

<https://www.phoenixcontact.com/us/products/1424528>

## Environmental product compliance

### EU RoHS

Fulfills EU RoHS substance requirements	Yes
Exemption	6(c)

### China RoHS

Environment friendly use period (EFUP)	EFUP-50
	An article-related China RoHS declaration table can be found in the download area for the respective article under "Manufacturer declaration". For all articles with EFUP-E, no China RoHS declaration table issued and required.

### EU REACH SVHC

REACH candidate substance (CAS No.)	Lead(CAS: 7439-92-1)
SCIP	ca1307a0-3428-41a9-99ab-221cd0b8c19f

Phoenix Contact 2026 © - all rights reserved

<https://www.phoenixcontact.com>

Phoenix Contact USA  
586 Fulling Mill Road  
Middletown, PA 17057, United States  
(+717) 944-1300  
[info@phoenixcon.com](mailto:info@phoenixcon.com)