

# A-INSP-PG29-65N-P-LG - Screw plug



1424525

<https://www.phoenixcontact.com/us/products/1424525>

Please be informed that the data shown in this PDF document is generated from our online catalog. Please find the complete data in the user documentation. Our general terms of use for downloads are valid.

Screw plug, material for screw connection: PA, connecting thread: Pg29, color: lightgray  
RAL 7035



## Commercial data

Item number	1424525
Packing unit	10 pc
Minimum order quantity	1 pc
Sales key	BF68
Product key	AF7DZX
GTIN	4055626374307
Weight per piece (including packing)	6.45 g
Weight per piece (excluding packing)	6.45 g
Customs tariff number	39269097
Country of origin	DE

# A-INSP-PG29-65N-P-LG - Screw plug

1424525

<https://www.phoenixcontact.com/us/products/1424525>

## Technical data

### Product properties

Product type	Plug for cable screw gland
--------------	----------------------------

### Dimensions

Dimensional drawing	
Length	12 mm
Length of the connecting thread	8 mm
Length without connecting thread	4 mm
Diameter Connecting thread	37 mm
Diameter	44 mm
Connecting thread diameter	37 mm
Thread type connection side	Pg29

### Material specifications

Material	PA
Seal material O-ring	EPDM
Material for screw connection	PA

### Environmental and real-life conditions

#### Ambient conditions

Degree of protection	IP65
Ambient temperature (operation)	-40 °C ... 100 °C

# A-INSP-PG29-65N-P-LG - Screw plug

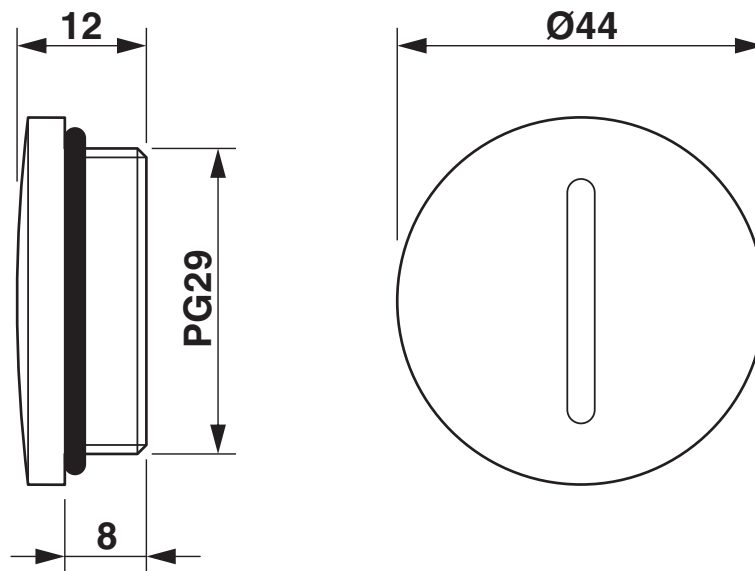
1424525

<https://www.phoenixcontact.com/us/products/1424525>



## Drawings

Dimensional drawing



Dimensional drawing

# A-INSP-PG29-65N-P-LG - Screw plug



1424525

<https://www.phoenixcontact.com/us/products/1424525>

## Classifications

### ECLASS

ECLASS-13.0	23111190
ECLASS-15.0	27140805

### ETIM

ETIM 10.0	EC000032
-----------	----------

### UNSPSC

UNSPSC 21.0	31261500
-------------	----------

# A-INSP-PG29-65N-P-LG - Screw plug



1424525

<https://www.phoenixcontact.com/us/products/1424525>

## Environmental product compliance

### EU RoHS

Fulfills EU RoHS substance requirements	Yes, No exemptions
---	--------------------

### China RoHS

Environment friendly use period (EFUP)	EFUP-E
	No hazardous substances above the limits

### EU REACH SVHC

REACH candidate substance (CAS No.)	No substance above 0.1 wt%
-------------------------------------	----------------------------

### EF3.1 Climate Change

CO2e kg	0.057 kg CO2e
---------	---------------

Phoenix Contact 2026 © - all rights reserved  
<https://www.phoenixcontact.com>

Phoenix Contact USA  
586 Fulling Mill Road  
Middletown, PA 17057, United States  
(+717) 944-1300  
[info@phoenixcon.com](mailto:info@phoenixcon.com)