

A-INSP-M40-68N-P-LG - Screw plug



1424522

<https://www.phoenixcontact.com/us/products/1424522>

Please be informed that the data shown in this PDF document is generated from our online catalog. Please find the complete data in the user documentation. Our general terms of use for downloads are valid.

Screw plug, material for screw connection: PA, connecting thread: M40 x 1.5, color: lightgray
RAL 7035



Commercial data

| | |
|--------------------------------------|---------------|
| Item number | 1424522 |
| Packing unit | 5 pc |
| Minimum order quantity | 1 pc |
| Sales key | BF68 |
| Product key | AF7DZX |
| GTIN | 4055626374277 |
| Weight per piece (including packing) | 13.272 g |
| Weight per piece (excluding packing) | 7.954 g |
| Customs tariff number | 39269097 |
| Country of origin | DE |

A-INSP-M40-68N-P-LG - Screw plug

1424522

<https://www.phoenixcontact.com/us/products/1424522>

Technical data

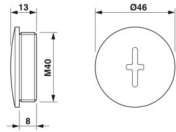
Product properties

| | |
|--------------------------|----------------------------|
| Product type | Plug for cable screw gland |
| Manufacturer | WISKA |
| Manufacturer Designation | EVSG-ORD 40 |

Connection data

| | |
|-------------------|------|
| Tightening torque | 3 Nm |
|-------------------|------|

Dimensions

| | |
|---------------------------------|--|
| Dimensional drawing |  |
| Length | 13 mm |
| Length of the connecting thread | 8 mm |
| Diameter | 40 mm |
| Connecting thread diameter | 40 mm |
| Thread type connection side | M40 x 1.5 |
| Thread pitch | 1.5 mm |

Material specifications

| | |
|-------------------------------|------|
| Material | PA |
| Seal material O-ring | EPDM |
| Material for screw connection | PA |

Cable/line

| | |
|--------------|-----|
| Halogen-free | yes |
|--------------|-----|

Environmental and real-life conditions

Ambient conditions

| | |
|---------------------------------|-------------------|
| Degree of protection | IP68 |
| | IP66 |
| Ambient temperature (operation) | -40 °C ... 100 °C |

A-INSP-M40-68N-P-LG - Screw plug

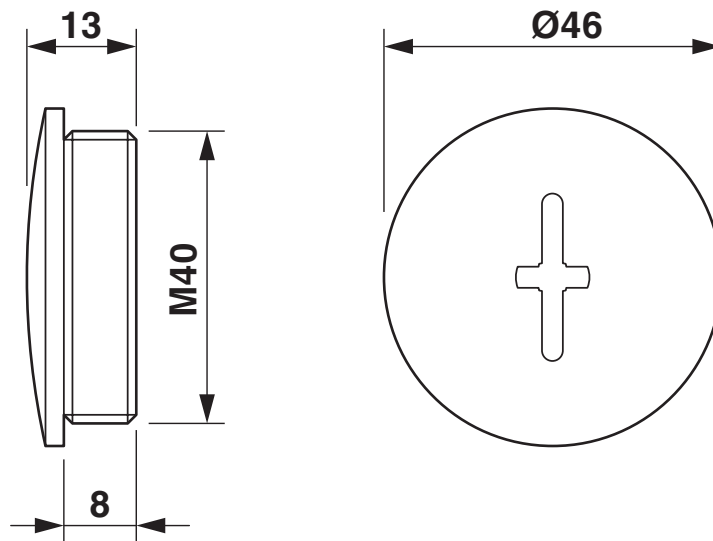
1424522

<https://www.phoenixcontact.com/us/products/1424522>



Drawings

Dimensional drawing



Dimensional drawing

A-INSP-M40-68N-P-LG - Screw plug



1424522

<https://www.phoenixcontact.com/us/products/1424522>

Classifications

ECLASS

| | |
|-------------|----------|
| ECLASS-13.0 | 23111190 |
| ECLASS-15.0 | 27140805 |

ETIM

| | |
|-----------|----------|
| ETIM 10.0 | EC000032 |
|-----------|----------|

UNSPSC

| | |
|-------------|----------|
| UNSPSC 21.0 | 31261500 |
|-------------|----------|

A-INSP-M40-68N-P-LG - Screw plug



1424522

<https://www.phoenixcontact.com/us/products/1424522>

Environmental product compliance

EU RoHS

| | |
|---|--------------------|
| Fulfills EU RoHS substance requirements | Yes, No exemptions |
|---|--------------------|

China RoHS

| | |
|--|--|
| Environment friendly use period (EFUP) | EFUP-E |
| | No hazardous substances above the limits |

EU REACH SVHC

| | |
|-------------------------------------|----------------------------|
| REACH candidate substance (CAS No.) | No substance above 0.1 wt% |
|-------------------------------------|----------------------------|

Phoenix Contact 2026 © - all rights reserved
<https://www.phoenixcontact.com>

Phoenix Contact USA
586 Fulling Mill Road
Middletown, PA 17057, United States
(+717) 944-1300
info@phoenixcon.com