

A-INSP-M25-68N-P-LG - Screw plug



1424520

<https://www.phoenixcontact.com/us/products/1424520>

Please be informed that the data shown in this PDF document is generated from our online catalog. Please find the complete data in the user documentation. Our general terms of use for downloads are valid.

Screw plug, material for screw connection: PA, connecting thread: M25 x 1.5, color: lightgray RAL 7035, with O-ring



Commercial data

Item number	1424520
Packing unit	10 pc
Minimum order quantity	1 pc
Sales key	BF68
Product key	AF7DZX
GTIN	4055626374253
Weight per piece (including packing)	6.51 g
Weight per piece (excluding packing)	6.4 g
Customs tariff number	39269097
Country of origin	DE

A-INSP-M25-68N-P-LG - Screw plug

1424520

<https://www.phoenixcontact.com/us/products/1424520>

Technical data

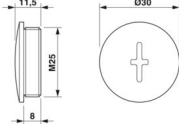
Product properties

Product type	Plug for cable screw gland
Manufacturer	WISKA
Manufacturer Designation	EVSG-ORD 25

Connection data

Tightening torque	1.5 Nm
-------------------	--------

Dimensions

Dimensional drawing	
Length	11.5 mm
Length of the connecting thread	8 mm
Diameter	25 mm
Connecting thread diameter	25 mm
Hexagon angular dimension	Diameter
Thread type connection side	M25 x 1.5
Thread pitch	1.5 mm

Material specifications

Material	PA
Seal material O-ring	EPDM
Material for screw connection	PA

Cable/line

Halogen-free	yes
--------------	-----

Environmental and real-life conditions

Ambient conditions

Degree of protection	IP68 IP66
Ambient temperature (operation)	-40 °C ... 100 °C

A-INSP-M25-68N-P-LG - Screw plug

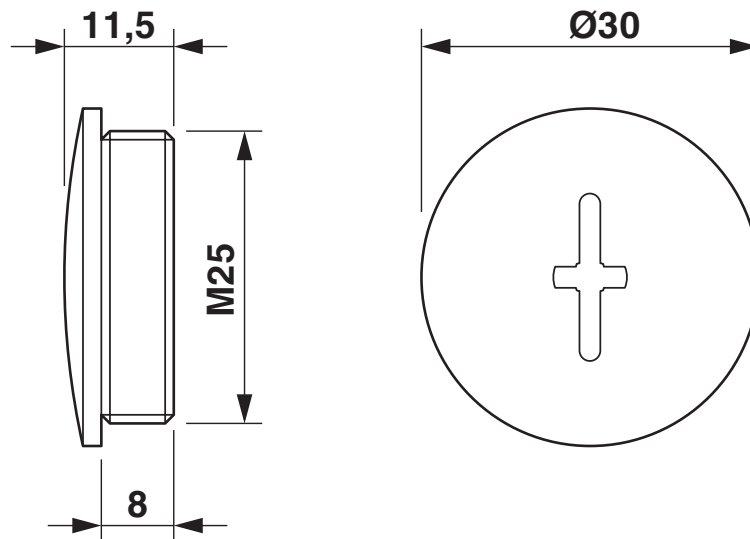
1424520

<https://www.phoenixcontact.com/us/products/1424520>



Drawings

Dimensional drawing



Dimensional drawing

A-INSP-M25-68N-P-LG - Screw plug



1424520

<https://www.phoenixcontact.com/us/products/1424520>

Classifications

ECLASS

ECLASS-13.0	23111190
ECLASS-15.0	27140805

ETIM

ETIM 10.0	EC000032
-----------	----------

UNSPSC

UNSPSC 21.0	31261500
-------------	----------

A-INSP-M25-68N-P-LG - Screw plug



1424520

<https://www.phoenixcontact.com/us/products/1424520>

Environmental product compliance

EU RoHS

Fulfills EU RoHS substance requirements	Yes, No exemptions
---	--------------------

China RoHS

Environment friendly use period (EFUP)	EFUP-E
	No hazardous substances above the limits

EU REACH SVHC

REACH candidate substance (CAS No.)	No substance above 0.1 wt%
-------------------------------------	----------------------------

EF3.1 Climate Change

CO2e kg	0.057 kg CO2e
---------	---------------

Phoenix Contact 2026 © - all rights reserved
<https://www.phoenixcontact.com>

Phoenix Contact USA
586 Fulling Mill Road
Middletown, PA 17057, United States
(+717) 944-1300
info@phoenixcon.com