

G-INS-PG29-M68N-PNES-LG - Cable gland



1424491

<https://www.phoenixcontact.com/us/products/1424491>

Please be informed that the data shown in this PDF document is generated from our online catalog. Please find the complete data in the user documentation. Our general terms of use for downloads are valid.



Cable gland, material for screw connection: PA, application: Standard, external cable diameter 18 mm ... 25 mm, shielding: no, connecting thread: Pg29, color: lightgray RAL 7035

Your advantages

- Plastic material conforms to UL 746C f1

Commercial data

| | |
|--------------------------------------|---------------|
| Item number | 1424491 |
| Packing unit | 5 pc |
| Minimum order quantity | 1 pc |
| Sales key | BF68 |
| Product key | AF7DCX |
| GTIN | 4055626373218 |
| Weight per piece (including packing) | 36.6 g |
| Weight per piece (excluding packing) | 34 g |
| Customs tariff number | 39269097 |
| Country of origin | TR |

G-INS-PG29-M68N-PNES-LG - Cable gland



1424491

<https://www.phoenixcontact.com/us/products/1424491>

Technical data

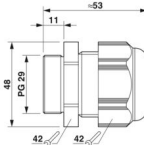
Mounting

| | |
|---------------|---|
| Assembly note | 1) Mount screw connection support in the housing using the correct torque 2) Insert cable 3) Tighten union nut using the correct torque |
|---------------|---|

Product properties

| | |
|--------------------------|-------------------|
| Product type | Cable screw gland |
| Application | Standard |
| No. of conductors | 1 |
| Manufacturer | BIMED |
| Manufacturer Designation | BS-17 |
| Shielded | no |

Dimensions

| | |
|---------------------------------|--|
| Dimensional drawing |  |
| Length | 53 mm |
| Length of the connecting thread | 11 mm |
| Hole diameter | 37.1 mm ... 37.4 mm |
| Wrench size, union nut | 42 mm |
| Wrench size, support | 42 mm |
| Hexagon angular dimension | 48 mm |
| Thread type connection side | Pg29 |

Connection data

| | |
|-------------------|------------------------------|
| Tightening torque | 10 Nm \pm 0.5 Nm (Cap nut) |
| | 9 Nm (Support sleeve) |

Material specifications

| | |
|--|-----------------------|
| Color | light gray (RAL 7035) |
| Flammability rating according to UL 94 | V2 |
| Seal material Cable seal | CR |
| Material for screw connection | PA |

Cable/line

| | |
|---------------------------------|--------------------------------|
| External cable diameter Cable 1 | 18 mm ... 25 mm |
| External cable diameter | 18 mm ... 25 mm (for UL 514 B) |

Environmental and real-life conditions

G-INS-PG29-M68N-PNES-LG - Cable gland



1424491

<https://www.phoenixcontact.com/us/products/1424491>

Ambient conditions

| | |
|---------------------------------|----------------------------|
| Degree of protection | IP66 |
| | IP68 (5 bar / 0.5 h) |
| Enclosure rating (NEMA) | 1 |
| | 4 |
| | 4X |
| | 12 |
| | 13 |
| Ambient temperature (operation) | -40 °C ... 100 °C (static) |

G-INS-PG29-M68N-PNES-LG - Cable gland

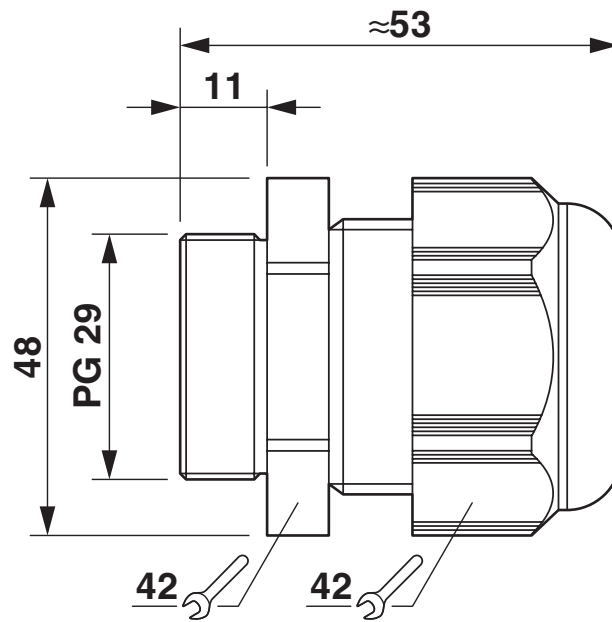


1424491

<https://www.phoenixcontact.com/us/products/1424491>

Drawings

Dimensional drawing



Dimensional drawing

G-INS-PG29-M68N-PNES-LG - Cable gland



1424491

<https://www.phoenixcontact.com/us/products/1424491>

Approvals

To download certificates, visit the product detail page: <https://www.phoenixcontact.com/us/products/1424491>

DNV

Approval ID: TAE00003WX



CSA

Approval ID: 115116



UL Listed

Approval ID: E199260



cUL Listed

Approval ID: E199260

G-INS-PG29-M68N-PNES-LG - Cable gland



1424491

<https://www.phoenixcontact.com/us/products/1424491>

Classifications

ECLASS

| | |
|-------------|----------|
| ECLASS-13.0 | 27140801 |
| ECLASS-15.0 | 27140801 |

ETIM

| | |
|-----------|----------|
| ETIM 10.0 | EC000441 |
|-----------|----------|

UNSPSC

| | |
|-------------|----------|
| UNSPSC 21.0 | 39121300 |
|-------------|----------|

G-INS-PG29-M68N-PNES-LG - Cable gland



1424491

<https://www.phoenixcontact.com/us/products/1424491>

Environmental product compliance

EU RoHS

| | |
|---|--------------------|
| Fulfills EU RoHS substance requirements | Yes, No exemptions |
|---|--------------------|

China RoHS

| | |
|--|--|
| Environment friendly use period (EFUP) | EFUP-E |
| | No hazardous substances above the limits |

EU REACH SVHC

| | |
|-------------------------------------|----------------------------|
| REACH candidate substance (CAS No.) | No substance above 0.1 wt% |
|-------------------------------------|----------------------------|

Phoenix Contact 2026 © - all rights reserved
<https://www.phoenixcontact.com>

Phoenix Contact USA
586 Fulling Mill Road
Middletown, PA 17057, United States
(+717) 944-1300
info@phoenixcon.com