

G-INS-M16-T68N-PNES-LG - Cable gland



1424470

<https://www.phoenixcontact.com/us/products/1424470>

Please be informed that the data shown in this PDF document is generated from our online catalog. Please find the complete data in the user documentation. Our general terms of use for downloads are valid.



Cable gland, material for screw connection: PA, application: Standard, external cable diameter 4 mm ... 8 mm, shielding: no, connecting thread: M16 x 1.5, color: lightgray RAL 7035

Your advantages

- Plastic material conforms to UL 746C f1

Commercial data

Item number	1424470
Packing unit	10 pc
Minimum order quantity	1 pc
Sales key	BF68
Product key	AF7DCX
GTIN	4055626374178
Weight per piece (including packing)	6.3 g
Weight per piece (excluding packing)	6.1 g
Customs tariff number	39269097
Country of origin	TR

G-INS-M16-T68N-PNES-LG - Cable gland



1424470

<https://www.phoenixcontact.com/us/products/1424470>

Technical data

Mounting

Assembly note	1) Mount screw connection support in the housing using the correct torque 2) Insert cable 3) Tighten union nut using the correct torque
---------------	---

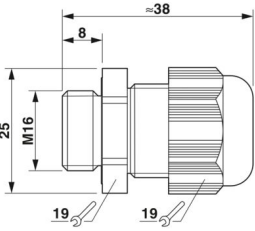
Product properties

Product type	Cable screw gland
Application	Standard
No. of conductors	1
Manufacturer	BIMED
Manufacturer Designation	BM-EN-11
Shielded	no
Execution of the strain relief	A

Characteristics

Category of shock impact	2
Design, Strain relief	A

Dimensions

Dimensional drawing	
Length	43 mm
Length of the connecting thread	8 mm
Hole diameter	16.1 mm ... 16.2 mm
Wrench size, union nut	19 mm
Wrench size, support	19 mm
Hexagon angular dimension	25 mm
Thread type connection side	M16 x 1.5
Thread pitch	1.5 mm

Connection data

Tightening torque	2.5 Nm \pm 0.5 Nm (Cap nut)
	2.5 Nm (Support sleeve)

Material specifications

Color	light gray (RAL 7035)
Flammability rating according to UL 94	V2

G-INS-M16-T68N-PNES-LG - Cable gland



1424470

<https://www.phoenixcontact.com/us/products/1424470>

Seal material Cable seal	CR
Material for screw connection	PA

Cable/line

External cable diameter Cable 1	4 mm ... 8 mm
External cable diameter	4 mm ... 8 mm (for UL 514 B)

Environmental and real-life conditions

Ambient conditions

Degree of protection	IP66
	IP68 (5 bar / 0.5 h)
Enclosure rating (NEMA)	1
	4
	4X
	12
	13
Ambient temperature (operation)	-40 °C ... 100 °C (static)

G-INS-M16-T68N-PNES-LG - Cable gland



1424470

<https://www.phoenixcontact.com/us/products/1424470>

Drawings



Dimensional drawing

G-INS-M16-T68N-PNES-LG - Cable gland



1424470

<https://www.phoenixcontact.com/us/products/1424470>

Approvals

🔗 To download certificates, visit the product detail page: <https://www.phoenixcontact.com/us/products/1424470>

DNV

Approval ID: TAE00003WX



CSA

Approval ID: 115116



UL Recognized

Approval ID: E199260

G-INS-M16-T68N-PNES-LG - Cable gland



1424470

<https://www.phoenixcontact.com/us/products/1424470>

Classifications

ECLASS

ECLASS-13.0	27140801
ECLASS-15.0	27140801

ETIM

ETIM 10.0	EC000441
-----------	----------

UNSPSC

UNSPSC 21.0	39121300
-------------	----------

G-INS-M16-T68N-PNES-LG - Cable gland



1424470

<https://www.phoenixcontact.com/us/products/1424470>

Environmental product compliance

EU RoHS

Fulfills EU RoHS substance requirements	Yes, No exemptions
---	--------------------

China RoHS

Environment friendly use period (EFUP)	EFUP-E
	No hazardous substances above the limits

EU REACH SVHC

REACH candidate substance (CAS No.)	No substance above 0.1 wt%
-------------------------------------	----------------------------

EF3.1 Climate Change

CO2e kg	0.053 kg CO2e
---------	---------------

Phoenix Contact 2026 © - all rights reserved
<https://www.phoenixcontact.com>

Phoenix Contact USA
586 Fulling Mill Road
Middletown, PA 17057, United States
(+717) 944-1300
info@phoenixcon.com