

HC-D07-SL-PLBK - Housing brackets



1424440

<https://www.phoenixcontact.com/us/products/1424440>

Please be informed that the data shown in this PDF document is generated from our online catalog. Please find the complete data in the user documentation. Our general terms of use for downloads are valid.

Replacement latch for HC-D7 housing



Commercial data

Item number	1424440
Packing unit	10 pc
Minimum order quantity	1 pc
Sales key	BF66
Product key	AF7APZ
GTIN	4055626372594
Weight per piece (including packing)	4.82 g
Weight per piece (excluding packing)	4.75 g
Customs tariff number	85366990
Country of origin	CN

HC-D07-SL-PLBK - Housing brackets



1424440

<https://www.phoenixcontact.com/us/products/1424440>

Technical data

Product properties

Product type	Housing latches
--------------	-----------------

Material specifications

Material	PA
----------	----

Environmental and real-life conditions

Ambient conditions

Ambient temperature (operation)	-40 °C ... 125 °C
---------------------------------	-------------------

HC-D07-SL-PLBK - Housing brackets

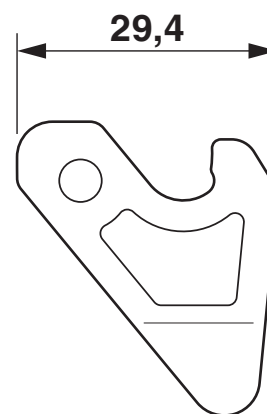
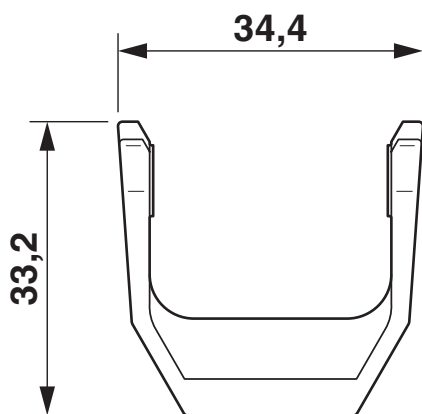


1424440

<https://www.phoenixcontact.com/us/products/1424440>

Drawings

Dimensional drawing



Dimensional drawing

HC-D07-SL-PLBK - Housing brackets



1424440

<https://www.phoenixcontact.com/us/products/1424440>

Classifications

ECLASS

ECLASS-13.0	27440192
ECLASS-15.0	27440192

ETIM

ETIM 10.0	EC002943
-----------	----------

UNSPSC

UNSPSC 21.0	39121400
-------------	----------

HC-D07-SL-PLBK - Housing brackets



1424440

<https://www.phoenixcontact.com/us/products/1424440>

Environmental product compliance

EU RoHS

Fulfills EU RoHS substance requirements	Yes, No exemptions
---	--------------------

China RoHS

Environment friendly use period (EFUP)	EFUP-E
	No hazardous substances above the limits

EU REACH SVHC

REACH candidate substance (CAS No.)	No substance above 0.1 wt%
-------------------------------------	----------------------------

EF3.1 Climate Change

CO2e kg	0.051 kg CO2e
---------	---------------

Phoenix Contact 2026 © - all rights reserved
<https://www.phoenixcontact.com>

Phoenix Contact USA
586 Fulling Mill Road
Middletown, PA 17057, United States
(+717) 944-1300
info@phoenixcon.com