

# HC-STA-D50-BWD-ELC-AL - Housing

1424412

<https://www.phoenixcontact.com/us/products/1424412>

Please be informed that the data shown in this PDF document is generated from our online catalog. Please find the complete data in the user documentation. Our general terms of use for downloads are valid.



Panel mounting base D50, with double locking latch, material: Die-cast aluminum, salt water resistant, height: 32 mm, cable gland: none, Standard, with flat gasket

## Your advantages

- Good shielding in the event of electromagnetic interference

## Commercial data

Item number	1424412
Packing unit	1 pc
Minimum order quantity	1 pc
Sales key	BF56
Product key	AF7APE
GTIN	4055626371528
Weight per piece (including packing)	133.1 g
Weight per piece (excluding packing)	105 g
Customs tariff number	85389099
Country of origin	CN

1424412

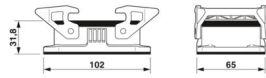
<https://www.phoenixcontact.com/us/products/1424412>

## Technical data

### Product properties

Product type	Housing with locking latch
Housing type	Panel mounting base
Product family	HC-STA-D
Application	Standard
Type	D50
Pg screw connection	none

### Dimensions

Dimensional drawing	
Width	65 mm
Height	32 mm
Length	102 mm
Drill hole distance, horizontal	92 mm
Drill hole distance, vertical	42 mm
Hole diameter	4.4 mm

### Installation dimensions

Width of the assembly cutout	48 mm
Length of the assembly cutout	73 mm

### Material specifications

Flammability rating according to UL 94	V0 (Interlock)
Seal material	NBR, conductive NBR, conductive
Housing material	Die-cast aluminum, salt water resistant
Housing surface material	uncoated
Locking latch material	PA

### Mechanical properties

#### Mechanical data

Locking type	Latch
--------------	-------

### Connection data

Tightening torque	0.8 Nm ... 1.2 Nm (For M4 mounting screws on the panel-mount base)
-------------------	--

### Environmental and real-life conditions

# HC-STA-D50-BWD-ELC-AL - Housing



1424412

<https://www.phoenixcontact.com/us/products/1424412>

## Ambient conditions

Degree of protection	IP66
	IP67
Impact strength	IK08
Ambient temperature (operation)	-40 °C ... 125 °C

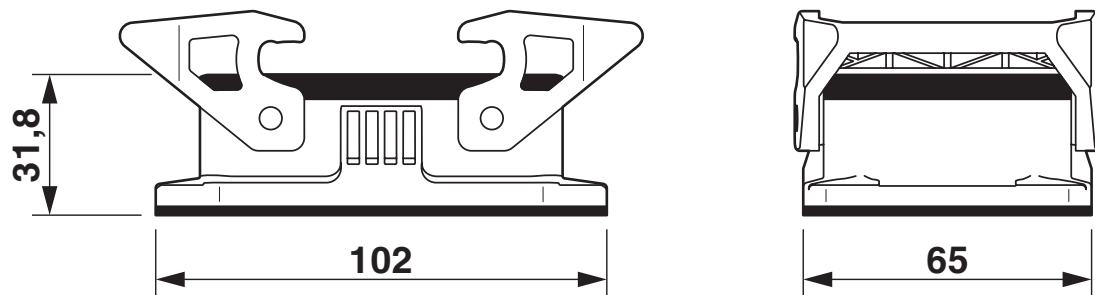
# HC-STA-D50-BWD-ELC-AL - Housing

1424412

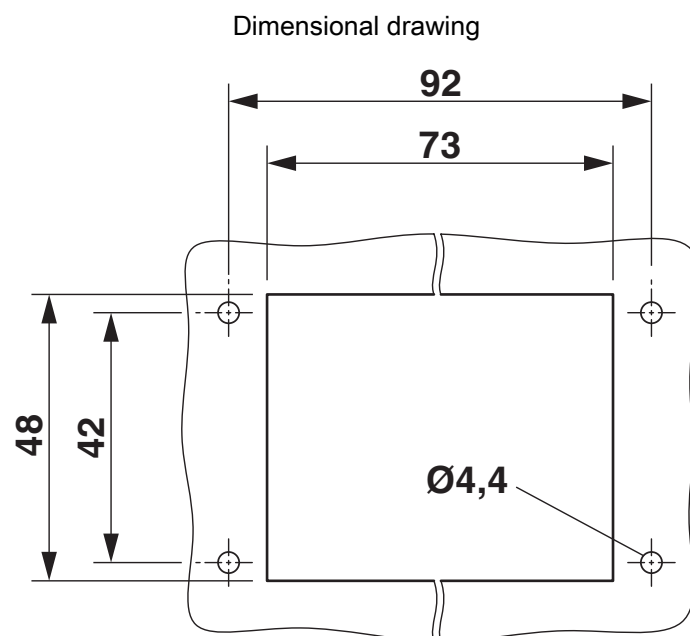
<https://www.phoenixcontact.com/us/products/1424412>

## Drawings

Dimensional drawing



Dimensional drawing



Mounting cutout

1424412

<https://www.phoenixcontact.com/us/products/1424412>

## Approvals

To download certificates, visit the product detail page: <https://www.phoenixcontact.com/us/products/1424412>

**DNV**

Approval ID: TAE000037S



**cUL Recognized**

Approval ID: E255026



**UL Recognized**

Approval ID: E255026

# HC-STA-D50-BWD-ELC-AL - Housing



1424412

<https://www.phoenixcontact.com/us/products/1424412>

## Classifications

### ECLASS

ECLASS-13.0	27440202
ECLASS-15.0	27440202

### ETIM

ETIM 10.0	EC000437
-----------	----------

### UNSPSC

UNSPSC 21.0	31261500
-------------	----------

# HC-STA-D50-BWD-ELC-AL - Housing



1424412

<https://www.phoenixcontact.com/us/products/1424412>

## Environmental product compliance

### EU RoHS

Fulfills EU RoHS substance requirements	Yes, No exemptions
---	--------------------

### China RoHS

Environment friendly use period (EFUP)	EFUP-E
	No hazardous substances above the limits

### EU REACH SVHC

REACH candidate substance (CAS No.)	No substance above 0.1 wt%
-------------------------------------	----------------------------

Phoenix Contact 2026 © - all rights reserved  
<https://www.phoenixcontact.com>

Phoenix Contact USA  
586 Fulling Mill Road  
Middletown, PA 17057, United States  
(+717) 944-1300  
[info@phoenixcon.com](mailto:info@phoenixcon.com)