

HC-STA-D50-HHFD-1TTM32-EL-AL - Housing



1424409

<https://www.phoenixcontact.com/us/products/1424409>

Please be informed that the data shown in this PDF document is generated from our online catalog. Please find the complete data in the user documentation. Our general terms of use for downloads are valid.



Sleeve housing D50, for double locking latch, material: Die-cast aluminum, salt water resistant, cable outlets: 1, straight, 1x M32, height: 80 mm, cable gland: none, Standard

Commercial data

Item number	1424409
Packing unit	1 pc
Minimum order quantity	1 pc
Sales key	BF56
Product key	AF7APE
GTIN	4055626371498
Weight per piece (including packing)	252.6 g
Weight per piece (excluding packing)	252.6 g
Customs tariff number	85389099
Country of origin	CN

HC-STA-D50-HHFD-1TTM32-EL-AL - Housing



1424409

<https://www.phoenixcontact.com/us/products/1424409>

Technical data

Product properties

Product type	Housing with locking latch
Housing type	Sleeve housing
Product family	HC-STA-D
Application	Standard
Type	D50
No. of cable outlets	1
Type of the screw connection	1x M32
Cable outlet	straight
Pg screw connection	none

Dimensions

Dimensional drawing	
Width	56 mm
Height	80 mm
Length	82 mm

Material specifications

Housing material	Die-cast aluminum, salt water resistant
Housing surface material	uncoated

Mechanical properties

Mechanical data

Type of the screw connection	1x M32
Locking type	Pin

Environmental and real-life conditions

Ambient conditions

Degree of protection	IP66
	IP67
Impact strength	IK08
Ambient temperature (operation)	-40 °C ... 125 °C

HC-STA-D50-HHFD-1TTM32-EL-AL - Housing

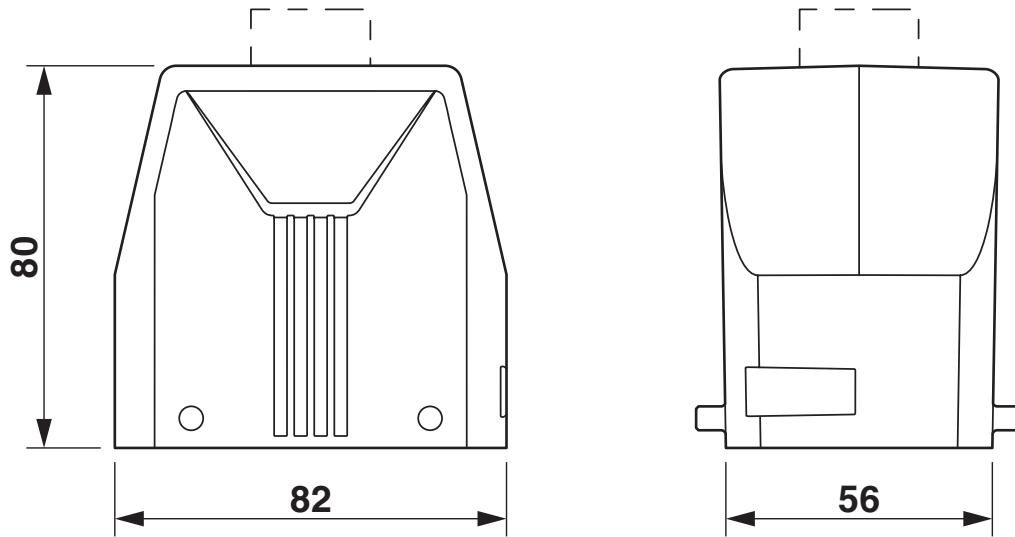


1424409

<https://www.phoenixcontact.com/us/products/1424409>

Drawings

Dimensional drawing



Dimensional drawing

HC-STA-D50-HHFD-1TTM32-EL-AL - Housing



1424409

<https://www.phoenixcontact.com/us/products/1424409>

Approvals

To download certificates, visit the product detail page: <https://www.phoenixcontact.com/us/products/1424409>

DNV

Approval ID: TAE000037S



cUL Recognized

Approval ID: E255026



UL Recognized

Approval ID: E255026

1424409

<https://www.phoenixcontact.com/us/products/1424409>

Classifications

ECLASS

ECLASS-13.0	27440202
ECLASS-15.0	27440202

ETIM

ETIM 10.0	EC000437
-----------	----------

UNSPSC

UNSPSC 21.0	31261500
-------------	----------

1424409

<https://www.phoenixcontact.com/us/products/1424409>

Environmental product compliance

EU RoHS

Fulfills EU RoHS substance requirements	Yes, No exemptions
---	--------------------

China RoHS

Environment friendly use period (EFUP)	EFUP-E
	No hazardous substances above the limits

EU REACH SVHC

REACH candidate substance (CAS No.)	No substance above 0.1 wt%
-------------------------------------	----------------------------

EF3.1 Climate Change

CO2e kg	5.402 kg CO2e
---------	---------------

Phoenix Contact 2026 © - all rights reserved
<https://www.phoenixcontact.com>

Phoenix Contact USA
586 Fulling Mill Road
Middletown, PA 17057, United States
(+717) 944-1300
info@phoenixcon.com