

# HC-STA-D15-HCLWS-PL-BK - Protective cover



1424375

<https://www.phoenixcontact.com/us/products/1424375>

Please be informed that the data shown in this PDF document is generated from our online catalog. Please find the complete data in the user documentation. Our general terms of use for downloads are valid.

Protective cover D15, with single locking latch, protective cover material: PA, height: 19 mm



## Commercial data

Item number	1424375
Packing unit	1 pc
Sales key	BF66
Product key	AF7AZC
GTIN	4055626371153
Weight per piece (including packing)	32.7 g
Weight per piece (excluding packing)	30.8 g
Customs tariff number	85389099
Country of origin	CN

1424375

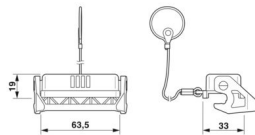
<https://www.phoenixcontact.com/us/products/1424375>

## Technical data

### Product properties

Product type	Protective cover
Housing type	Protective cover
Type	D15

### Dimensions

Dimensional drawing	
Width	33 mm
Height	19 mm
Length	63.5 mm

### Material specifications

Material Protective cover	PA
Flammability rating according to UL 94	V0
Material, protective cover	PA

### Environmental and real-life conditions

#### Ambient conditions

Degree of protection	IP66
Ambient temperature (operation)	-20 °C ... 100 °C

### Mounting

Assembly note	Plastic protective cover for short-term protection
---------------	--

# HC-STA-D15-HCLWS-PL-BK - Protective cover

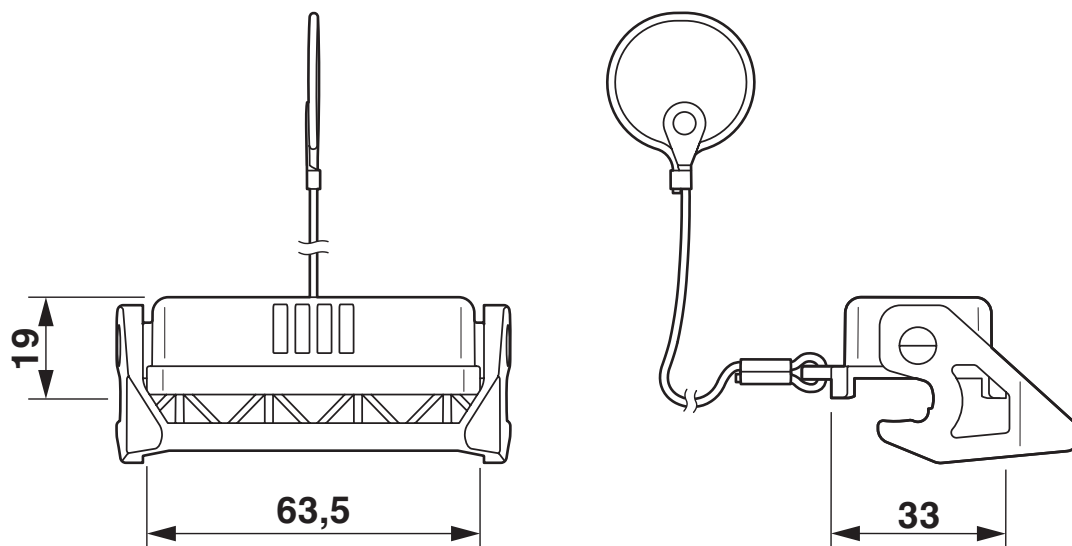


1424375

<https://www.phoenixcontact.com/us/products/1424375>

## Drawings

Dimensional drawing



Dimensional drawing

# HC-STA-D15-HCLWS-PL-BK - Protective cover



1424375

<https://www.phoenixcontact.com/us/products/1424375>

## Approvals

🔗 To download certificates, visit the product detail page: <https://www.phoenixcontact.com/us/products/1424375>

**DNV**

Approval ID: TAE000037S

# HC-STA-D15-HCLWS-PL-BK - Protective cover



1424375

<https://www.phoenixcontact.com/us/products/1424375>

## Classifications

### ECLASS

ECLASS-13.0	27440208
ECLASS-15.0	27440208

### UNSPSC

UNSPSC 21.0	39121400
-------------	----------

# HC-STA-D15-HCLWS-PL-BK - Protective cover



1424375

<https://www.phoenixcontact.com/us/products/1424375>

## Environmental product compliance

### EU RoHS

Fulfills EU RoHS substance requirements	Yes, No exemptions
---	--------------------

### China RoHS

Environment friendly use period (EFUP)	EFUP-E
	No hazardous substances above the limits

### EU REACH SVHC

REACH candidate substance (CAS No.)	No substance above 0.1 wt%
-------------------------------------	----------------------------

Phoenix Contact 2026 © - all rights reserved

<https://www.phoenixcontact.com>

Phoenix Contact USA  
586 Fulling Mill Road  
Middletown, PA 17057, United States  
(+717) 944-1300  
[info@phoenixcon.com](mailto:info@phoenixcon.com)