

HC-STA-D15-SLWS-2SSP16-EL-AL - Housing



1424366

<https://www.phoenixcontact.com/us/products/1424366>

Please be informed that the data shown in this PDF document is generated from our online catalog. Please find the complete data in the user documentation. Our general terms of use for downloads are valid.



Surface mounting housing D15, with single locking latch, material: Die-cast aluminum, salt water resistant, cable outlets: 2, lateral, 2x Pg16, height: 52 mm, cable gland: none, Standard

Commercial data

| | |
|--------------------------------------|---------------|
| Item number | 1424366 |
| Packing unit | 1 pc |
| Minimum order quantity | 1 pc |
| Sales key | BF56 |
| Product key | AF7APE |
| GTIN | 4055626371085 |
| Weight per piece (including packing) | 160.7 g |
| Weight per piece (excluding packing) | 160.7 g |
| Customs tariff number | 85389099 |
| Country of origin | CN |

HC-STA-D15-SLWS-2SSP16-EL-AL - Housing



1424366

<https://www.phoenixcontact.com/us/products/1424366>

Technical data

Product properties

| | |
|------------------------------|----------------------------|
| Product type | Housing with locking latch |
| Housing type | Surface mounting housing |
| Product family | HC-STA-D |
| Application | Standard |
| Type | D15 |
| No. of cable outlets | 2 |
| Type of the screw connection | 2x Pg16 |
| Cable outlet | lateral |
| Pg screw connection | none |

Dimensions

| | |
|---------------------|---|
| Dimensional drawing |  |
| Width | 51 mm |
| Height | 52 mm |
| Length | 80 mm |
| Hole diameter | 4.5 mm |

Material specifications

| | |
|--|---|
| Flammability rating according to UL 94 | V0 (Interlock) |
| Housing material | Die-cast aluminum, salt water resistant |
| Housing surface material | uncoated |
| Locking latch material | PA |

Mechanical properties

Mechanical data

| | |
|------------------------------|---------|
| Type of the screw connection | 2x Pg16 |
| Locking type | Latch |

Connection data

| | |
|-------------------|---|
| Tightening torque | 0.8 Nm ... 1.2 Nm (for M4 mounting screws on the surface-mount housing) |
|-------------------|---|

Mounting

| | |
|---------------|---|
| Assembly note | One opening is sealed with a plastic filler plug and can be opened using a screwdriver. |
|---------------|---|

Environmental and real-life conditions

HC-STA-D15-SLWS-2SSP16-EL-AL - Housing



1424366

<https://www.phoenixcontact.com/us/products/1424366>

Ambient conditions

| | |
|---------------------------------|-------------------|
| Degree of protection | IP66 |
| | IP67 |
| Impact strength | IK08 |
| Ambient temperature (operation) | -40 °C ... 125 °C |

HC-STA-D15-SLWS-2SSP16-EL-AL - Housing

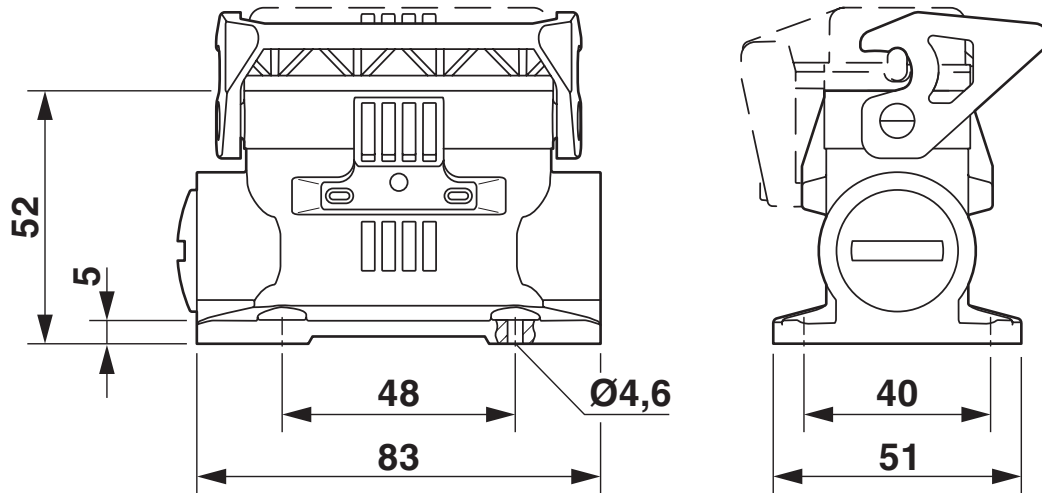


1424366

<https://www.phoenixcontact.com/us/products/1424366>

Drawings

Dimensional drawing




Dimensional drawing

1424366

<https://www.phoenixcontact.com/us/products/1424366>

Approvals

 To download certificates, visit the product detail page: <https://www.phoenixcontact.com/us/products/1424366>

DNV

Approval ID: TAE000037S



cUL Recognized

Approval ID: E255026



UL Recognized

Approval ID: E255026

1424366

<https://www.phoenixcontact.com/us/products/1424366>

Classifications

ECLASS

| | |
|-------------|----------|
| ECLASS-13.0 | 27440202 |
| ECLASS-15.0 | 27440202 |

ETIM

| | |
|-----------|----------|
| ETIM 10.0 | EC000437 |
|-----------|----------|

UNSPSC

| | |
|-------------|----------|
| UNSPSC 21.0 | 31261500 |
|-------------|----------|

1424366

<https://www.phoenixcontact.com/us/products/1424366>

Environmental product compliance

EU RoHS

| | |
|---|--------------------|
| Fulfills EU RoHS substance requirements | Yes, No exemptions |
|---|--------------------|

China RoHS

| | |
|--|--|
| Environment friendly use period (EFUP) | EFUP-E |
| | No hazardous substances above the limits |

EU REACH SVHC

| | |
|-------------------------------------|----------------------------|
| REACH candidate substance (CAS No.) | No substance above 0.1 wt% |
|-------------------------------------|----------------------------|

Phoenix Contact 2026 © - all rights reserved
<https://www.phoenixcontact.com>

Phoenix Contact USA
586 Fulling Mill Road
Middletown, PA 17057, United States
(+717) 944-1300
info@phoenixcon.com