

# HC-STA-D15-CHWS-1TTP16-EL-AL - Housing



1424360

<https://www.phoenixcontact.com/us/products/1424360>

Please be informed that the data shown in this PDF document is generated from our online catalog. Please find the complete data in the user documentation. Our general terms of use for downloads are valid.



Coupling housings D15, with single locking latch, material: Die-cast aluminum, salt water resistant, cable outlets: 1, straight, 1x Pg16, height: 64 mm, cable gland: none, Standard

## Commercial data

Item number	1424360
Packing unit	1 pc
Minimum order quantity	1 pc
Sales key	BF56
Product key	AF7APE
GTIN	4055626371023
Weight per piece (including packing)	140.7 g
Weight per piece (excluding packing)	140 g
Customs tariff number	85389099
Country of origin	CN

# HC-STA-D15-CHWS-1TTP16-EL-AL - Housing

1424360

<https://www.phoenixcontact.com/us/products/1424360>

## Technical data

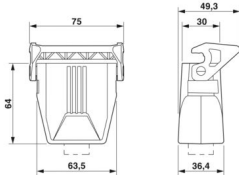
### Notes

General	For contact inserts HC-D15, A10
---------	---------------------------------

### Product properties

Product type	Housing with locking latch
Housing type	Coupling housings
Product family	HC-STA-D
Application	Standard
Type	D15
No. of cable outlets	1
Type of the screw connection	1x Pg16
Cable outlet	straight
Pg screw connection	none

### Dimensions

Dimensional drawing	
Width	30 mm
Height	64 mm
Length	63.5 mm

### Material specifications

Flammability rating according to UL 94	V0 (Interlock)
Housing material	Die-cast aluminum, salt water resistant
Housing surface material	uncoated
Locking latch material	PA

### Mechanical properties

#### Mechanical data

Type of the screw connection	1x Pg16
Locking type	Latch

### Environmental and real-life conditions

#### Ambient conditions

Degree of protection	IP66
	IP67
Impact strength	IK08

# HC-STA-D15-CHWS-1TTP16-EL-AL - Housing



1424360

<https://www.phoenixcontact.com/us/products/1424360>

Ambient temperature (operation)

-40 °C ... 125 °C

# HC-STA-D15-CHWS-1TTP16-EL-AL - Housing

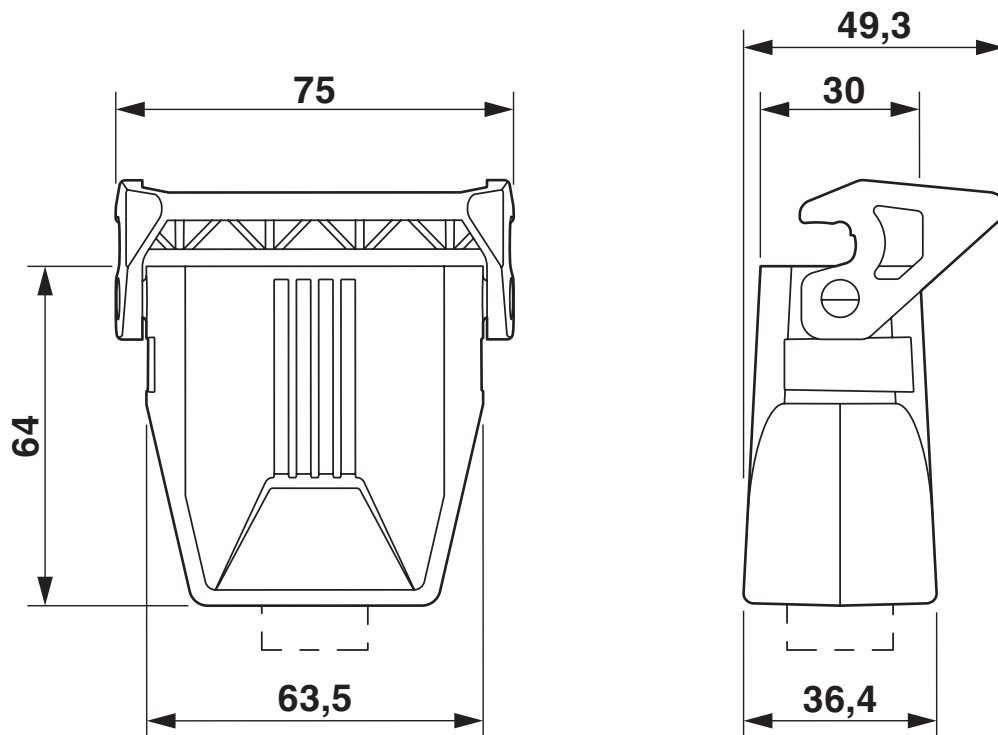


1424360

<https://www.phoenixcontact.com/us/products/1424360>

## Drawings

Dimensional drawing



Dimensional drawing

1424360

<https://www.phoenixcontact.com/us/products/1424360>

## Approvals

🔗 To download certificates, visit the product detail page: <https://www.phoenixcontact.com/us/products/1424360>

**DNV**

Approval ID: TAE000037S



**cUL Recognized**

Approval ID: E255026



**UL Recognized**

Approval ID: E255026

1424360

<https://www.phoenixcontact.com/us/products/1424360>

## Classifications

### ECLASS

ECLASS-13.0	27440202
ECLASS-15.0	27440202

### ETIM

ETIM 10.0	EC000437
-----------	----------

### UNSPSC

UNSPSC 21.0	31261500
-------------	----------

1424360

<https://www.phoenixcontact.com/us/products/1424360>

## Environmental product compliance

### EU RoHS

Fulfills EU RoHS substance requirements	Yes, No exemptions
---	--------------------

### China RoHS

Environment friendly use period (EFUP)	EFUP-E
	No hazardous substances above the limits

### EU REACH SVHC

REACH candidate substance (CAS No.)	No substance above 0.1 wt%
-------------------------------------	----------------------------

Phoenix Contact 2026 © - all rights reserved  
<https://www.phoenixcontact.com>

Phoenix Contact USA  
586 Fulling Mill Road  
Middletown, PA 17057, United States  
(+717) 944-1300  
[info@phoenixcon.com](mailto:info@phoenixcon.com)