

# HC-CIF-B06-24-AEWL-PL-BK - Connection element



1424342

<https://www.phoenixcontact.com/us/products/1424342>

Please be informed that the data shown in this PDF document is generated from our online catalog. Please find the complete data in the user documentation. Our general terms of use for downloads are valid.

Connection element, design: B6 - B24



## Commercial data

Item number	1424342
Packing unit	1 pc
Minimum order quantity	1 pc
Sales key	BF60
Product key	AF7AHZ
GTIN	4055626370798
Weight per piece (including packing)	20.9 g
Weight per piece (excluding packing)	20 g
Customs tariff number	85389099
Country of origin	CN

1424342

<https://www.phoenixcontact.com/us/products/1424342>

## Technical data

### Product properties

Product type	Adapter
Application	Adapter for DIN rail mounting frame

### Material specifications

Material	PA
----------	----

### Environmental and real-life conditions

#### Ambient conditions

Ambient temperature (operation)	-40 °C ... 125 °C
---------------------------------	-------------------

# HC-CIF-B06-24-AEWL-PL-BK - Connection element

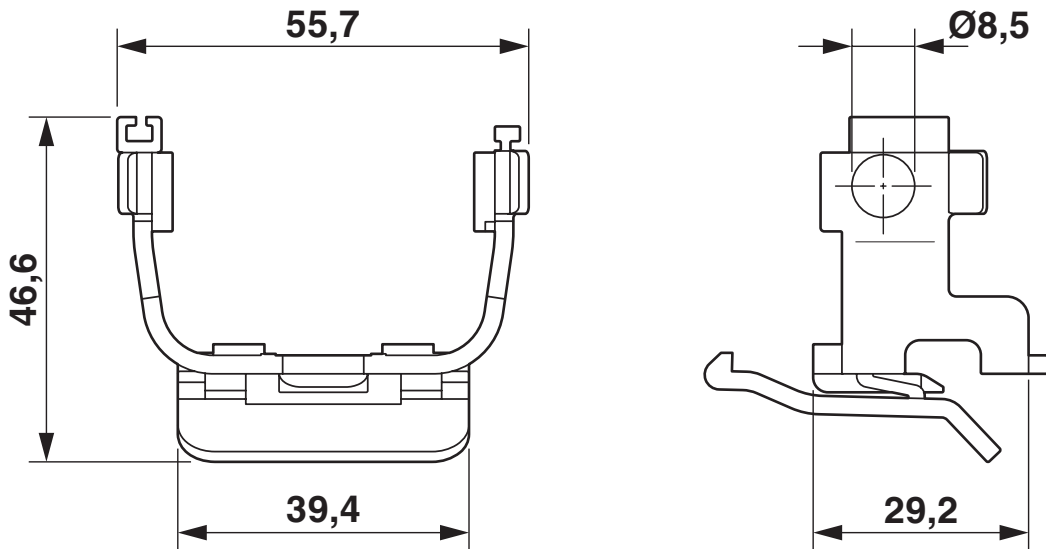


1424342

<https://www.phoenixcontact.com/us/products/1424342>

## Drawings

Dimensional drawing



Dimensional drawing

1424342

<https://www.phoenixcontact.com/us/products/1424342>

## Classifications

### ECLASS

ECLASS-13.0	27440192
ECLASS-15.0	27440192

### ETIM

ETIM 10.0	EC002943
-----------	----------

### UNSPSC

UNSPSC 21.0	39121400
-------------	----------

1424342

<https://www.phoenixcontact.com/us/products/1424342>

## Environmental product compliance

### EU RoHS

Fulfills EU RoHS substance requirements	Yes, No exemptions
---	--------------------

### China RoHS

Environment friendly use period (EFUP)	EFUP-E
	No hazardous substances above the limits

### EU REACH SVHC

REACH candidate substance (CAS No.)	No substance above 0.1 wt%
-------------------------------------	----------------------------

### EF3.1 Climate Change

CO2e kg	0.262 kg CO2e
---------	---------------

Phoenix Contact 2026 © - all rights reserved  
<https://www.phoenixcontact.com>

Phoenix Contact USA  
586 Fulling Mill Road  
Middletown, PA 17057, United States  
(+717) 944-1300  
[info@phoenixcon.com](mailto:info@phoenixcon.com)