

HC-CIF-B16-HFWL-PL - DIN rail mounting frame



1424336

<https://www.phoenixcontact.com/us/products/1424336>

Please be informed that the data shown in this PDF document is generated from our online catalog. Please find the complete data in the user documentation. Our general terms of use for downloads are valid.

DIN rail mounting frame, design: B16, for contact inserts, Top frame



Commercial data

Item number	1424336
Packing unit	1 pc
Minimum order quantity	1 pc
Sales key	BF60
Product key	AF7AHB
GTIN	4055626370743
Weight per piece (including packing)	46.06 g
Weight per piece (excluding packing)	45.9 g
Customs tariff number	85389099
Country of origin	CN

HC-CIF-B16-HFWL-PL - DIN rail mounting frame



1424336

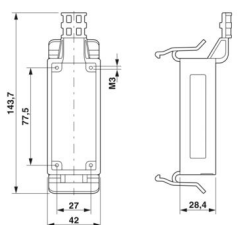
<https://www.phoenixcontact.com/us/products/1424336>

Technical data

Product properties

Product type	DIN rail mounting frame
Housing type	DIN rail mounting frame
Series	HC-CIF-PL
Type	B16
Protective cover	no
Pg screw connection	none

Dimensions

Dimensional drawing	
Width	42 mm
Height	61 mm
Length	144 mm

Material specifications

Material	PC
Flammability rating according to UL 94	V0

Mechanical properties

Mechanical data

Locking type	Clip
--------------	------

Environmental and real-life conditions

Ambient conditions

Ambient temperature (operation)	-40 °C ... 125 °C
---------------------------------	-------------------

Mounting

Assembly note	To ensure correct use, installation in an IP-protected space is required
---------------	--

HC-CIF-B16-HFWL-PL - DIN rail mounting frame

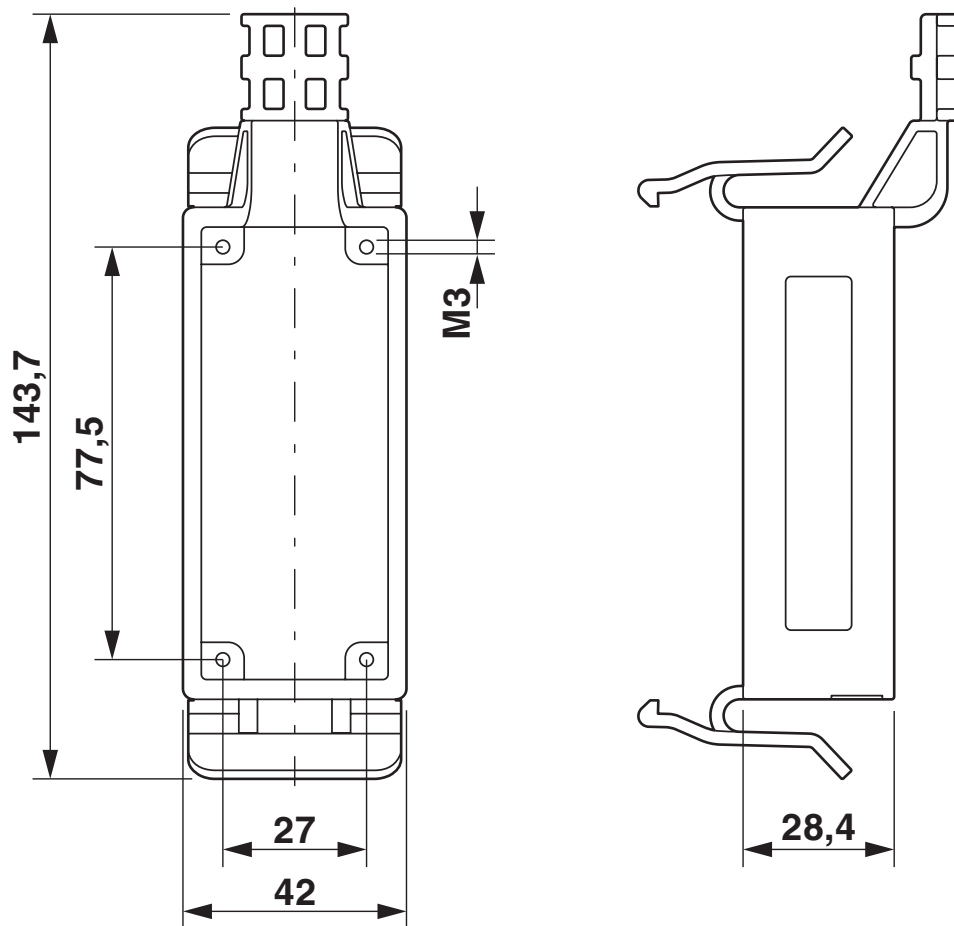


1424336

<https://www.phoenixcontact.com/us/products/1424336>

Drawings

Dimensional drawing



Dimensional drawing

HC-CIF-B16-HFWL-PL - DIN rail mounting frame



1424336

<https://www.phoenixcontact.com/us/products/1424336>

Approvals

To download certificates, visit the product detail page: <https://www.phoenixcontact.com/us/products/1424336>



cUL Recognized
Approval ID: E118976



UL Recognized
Approval ID: E118976

HC-CIF-B16-HFWL-PL - DIN rail mounting frame



1424336

<https://www.phoenixcontact.com/us/products/1424336>

Classifications

ECLASS

ECLASS-13.0	27440210
ECLASS-15.0	27440210

ETIM

ETIM 10.0	EC002310
-----------	----------

UNSPSC

UNSPSC 21.0	39121400
-------------	----------

HC-CIF-B16-HFWL-PL - DIN rail mounting frame



1424336

<https://www.phoenixcontact.com/us/products/1424336>

Environmental product compliance

EU RoHS

Fulfills EU RoHS substance requirements	Yes, No exemptions
---	--------------------

China RoHS

Environment friendly use period (EFUP)	EFUP-E
	No hazardous substances above the limits

EU REACH SVHC

REACH candidate substance (CAS No.)	No substance above 0.1 wt%
-------------------------------------	----------------------------

Phoenix Contact 2026 © - all rights reserved
<https://www.phoenixcontact.com>

Phoenix Contact USA
586 Fulling Mill Road
Middletown, PA 17057, United States
(+717) 944-1300
info@phoenixcon.com