

HC-CIF-B10-HFWL-PL - DIN rail mounting frame



1424335

<https://www.phoenixcontact.com/us/products/1424335>

Please be informed that the data shown in this PDF document is generated from our online catalog. Please find the complete data in the user documentation. Our general terms of use for downloads are valid.

DIN rail mounting frame, design: B10, for contact inserts, Top frame



Commercial data

| | |
|--------------------------------------|---------------|
| Item number | 1424335 |
| Packing unit | 1 pc |
| Minimum order quantity | 1 pc |
| Sales key | BF60 |
| Product key | AF7AHB |
| GTIN | 4055626370736 |
| Weight per piece (including packing) | 43.24 g |
| Weight per piece (excluding packing) | 43.24 g |
| Customs tariff number | 85389099 |
| Country of origin | CN |

HC-CIF-B10-HFWL-PL - DIN rail mounting frame

1424335

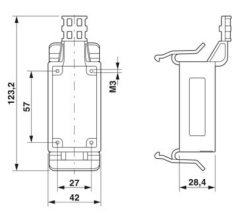
<https://www.phoenixcontact.com/us/products/1424335>

Technical data

Product properties

| | |
|---------------------|-------------------------|
| Product type | DIN rail mounting frame |
| Housing type | DIN rail mounting frame |
| Series | HC-CIF-PL |
| Type | B10 |
| Protective cover | no |
| Pg screw connection | none |

Dimensions

| | |
|---------------------|-------------------------------------------------------------------------------------|
| Dimensional drawing |  |
| Width | 42 mm |
| Height | 61 mm |
| Length | 125 mm |

Material specifications

| | |
|----------------------------------------|----|
| Material | PC |
| Flammability rating according to UL 94 | V0 |

Mechanical properties

Mechanical data

| | |
|--------------|------|
| Locking type | Clip |
|--------------|------|

Environmental and real-life conditions

Ambient conditions

| | |
|---------------------------------|-------------------|
| Ambient temperature (operation) | -40 °C ... 125 °C |
|---------------------------------|-------------------|

Mounting

| | |
|---------------|--------------------------------------------------------------------------|
| Assembly note | To ensure correct use, installation in an IP-protected space is required |
|---------------|--------------------------------------------------------------------------|

HC-CIF-B10-HFWL-PL - DIN rail mounting frame

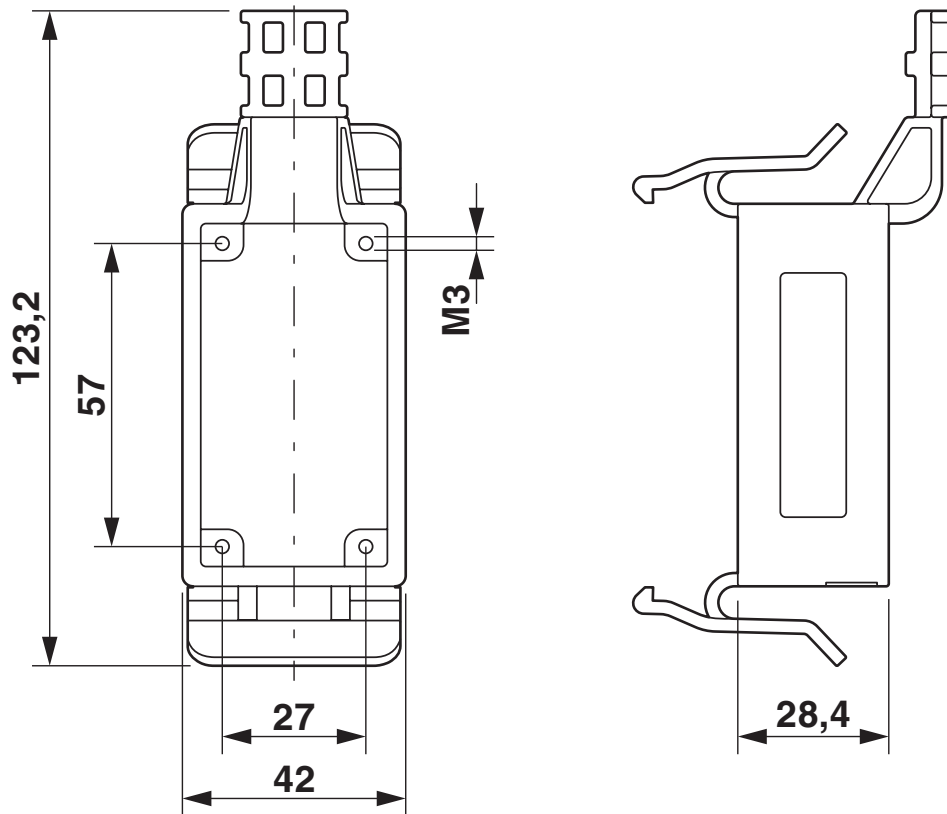


1424335

<https://www.phoenixcontact.com/us/products/1424335>

Drawings

Dimensional drawing



Dimensional drawing

HC-CIF-B10-HFWL-PL - DIN rail mounting frame



1424335

<https://www.phoenixcontact.com/us/products/1424335>

Approvals

To download certificates, visit the product detail page: <https://www.phoenixcontact.com/us/products/1424335>



cUL Recognized
Approval ID: E118976



UL Recognized
Approval ID: E118976

HC-CIF-B10-HFWL-PL - DIN rail mounting frame



1424335

<https://www.phoenixcontact.com/us/products/1424335>

Classifications

ECLASS

| | |
|-------------|----------|
| ECLASS-13.0 | 27440210 |
| ECLASS-15.0 | 27440210 |

ETIM

| | |
|-----------|----------|
| ETIM 10.0 | EC002310 |
|-----------|----------|

UNSPSC

| | |
|-------------|----------|
| UNSPSC 21.0 | 39121400 |
|-------------|----------|

HC-CIF-B10-HFWL-PL - DIN rail mounting frame



1424335

<https://www.phoenixcontact.com/us/products/1424335>

Environmental product compliance

EU RoHS

| | |
|-----------------------------------------|--------------------|
| Fulfills EU RoHS substance requirements | Yes, No exemptions |
|-----------------------------------------|--------------------|

China RoHS

| | |
|----------------------------------------|------------------------------------------|
| Environment friendly use period (EFUP) | EFUP-E |
| | No hazardous substances above the limits |

EU REACH SVHC

| | |
|-------------------------------------|----------------------------|
| REACH candidate substance (CAS No.) | No substance above 0.1 wt% |
|-------------------------------------|----------------------------|

Phoenix Contact 2026 © - all rights reserved
<https://www.phoenixcontact.com>

Phoenix Contact USA
586 Fulling Mill Road
Middletown, PA 17057, United States
(+717) 944-1300
info@phoenixcon.com