

# HC-CIF-B06-HFWL-PL - DIN rail mounting frame



1424334

<https://www.phoenixcontact.com/us/products/1424334>

Please be informed that the data shown in this PDF document is generated from our online catalog. Please find the complete data in the user documentation. Our general terms of use for downloads are valid.

DIN rail mounting frame, design: B6, for contact inserts, Top frame



## Commercial data

Item number	1424334
Packing unit	1 pc
Minimum order quantity	1 pc
Sales key	BF60
Product key	AF7AHB
GTIN	4055626370729
Weight per piece (including packing)	41.1 g
Weight per piece (excluding packing)	41 g
Customs tariff number	85389099
Country of origin	CN

# HC-CIF-B06-HFWL-PL - DIN rail mounting frame



1424334

<https://www.phoenixcontact.com/us/products/1424334>

## Technical data

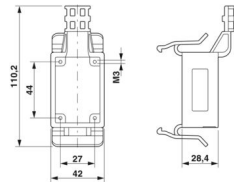
### Notes

General	for B6, BB10, DD24 contact inserts and B6 module frame
Notes on safety	Protection against electric shock must be ensured by the user. The continuity of the PE connection must be verified and satisfied by the user. The PE connection must be implemented equilaterally.

### Product properties

Product type	DIN rail mounting frame
Housing type	DIN rail mounting frame
Series	HC-CIF-PL
Type	B6
Protective cover	no
Pg screw connection	none

### Dimensions

Dimensional drawing	
Width	42 mm
Height	61 mm
Length	110 mm

### Material specifications

Material	PC
Flammability rating according to UL 94	V0

### Mechanical properties

#### Mechanical data

Locking type	Clip
--------------	------

### Environmental and real-life conditions

#### Ambient conditions

Ambient temperature (operation)	-40 °C ... 125 °C
---------------------------------	-------------------

### Mounting

Assembly note	To ensure correct use, installation in an IP-protected space is required
---------------	--

# HC-CIF-B06-HFWL-PL - DIN rail mounting frame

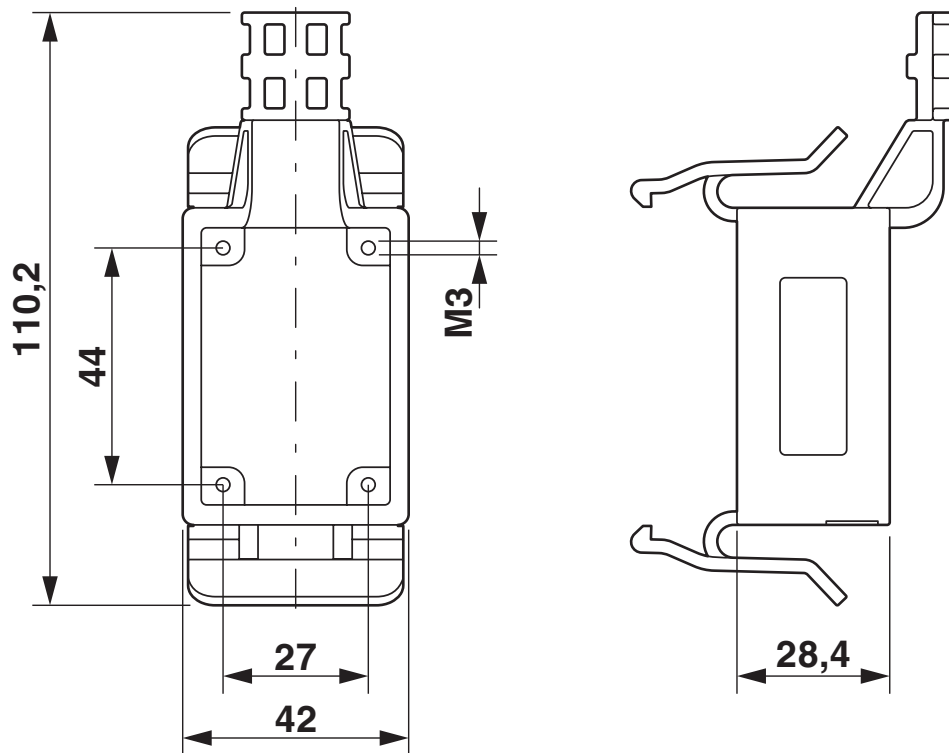


1424334

<https://www.phoenixcontact.com/us/products/1424334>

## Drawings

Dimensional drawing



Dimensional drawing

# HC-CIF-B06-HFWL-PL - DIN rail mounting frame



1424334

<https://www.phoenixcontact.com/us/products/1424334>

## Approvals

To download certificates, visit the product detail page: <https://www.phoenixcontact.com/us/products/1424334>



**cUL Recognized**  
Approval ID: E118976



**UL Recognized**  
Approval ID: E118976

# HC-CIF-B06-HFWL-PL - DIN rail mounting frame



1424334

<https://www.phoenixcontact.com/us/products/1424334>

## Classifications

### ECLASS

ECLASS-13.0	27440210
ECLASS-15.0	27440210

### ETIM

ETIM 10.0	EC002310
-----------	----------

### UNSPSC

UNSPSC 21.0	39121400
-------------	----------

# HC-CIF-B06-HFWL-PL - DIN rail mounting frame



1424334

<https://www.phoenixcontact.com/us/products/1424334>

## Environmental product compliance

### EU RoHS

Fulfills EU RoHS substance requirements	Yes, No exemptions
---	--------------------

### China RoHS

Environment friendly use period (EFUP)	EFUP-E
	No hazardous substances above the limits

### EU REACH SVHC

REACH candidate substance (CAS No.)	No substance above 0.1 wt%
-------------------------------------	----------------------------

Phoenix Contact 2026 © - all rights reserved  
<https://www.phoenixcontact.com>

Phoenix Contact USA  
586 Fulling Mill Road  
Middletown, PA 17057, United States  
(+717) 944-1300  
[info@phoenixcon.com](mailto:info@phoenixcon.com)