

SACC-DSIV-M8FS-3CON-M10-L90 AU - Device connector rear mounting



1424314

<https://www.phoenixcontact.com/us/products/1424314>

Please be informed that the data shown in this PDF document is generated from our online catalog. Please find the complete data in the user documentation. Our general terms of use for downloads are valid.

Device connector rear mounting, 3-position, Socket, angled, M8, Solder pins



Commercial data

Item number	1424314
Packing unit	20 pc
Minimum order quantity	1 pc
Note	Made to order (non-returnable)
Sales key	AB22
Product key	ABQYAA
GTIN	4046356729093
Weight per piece (including packing)	6.95 g
Weight per piece (excluding packing)	6.95 g
Customs tariff number	85366990
Country of origin	DE

SACC-DSIV-M8FS-3CON-M10-L90 AU - Device connector rear mounting



1424314

<https://www.phoenixcontact.com/us/products/1424314>

Technical data

Mounting

Mounting type	Rear mounting (M8 x 1, with flat nut)
---------------	---------------------------------------

Product properties

Product type	Circular connectors (device side)
Number of positions	3
Shielded	yes
Coding	A

Insulation characteristics

Overvoltage category	II
Degree of pollution	3

Material specifications

Material Housing	GD-Zn
Material Housing surface	Ni
Material Insulating body	PUR
Material Contact	CuSn
Material Contact surface	Au
Flammability rating according to UL 94	HB

Electrical properties

Nominal voltage U_N	30 V
Nominal current I_N	4 A

Connection data

Conductor connection

Connection method	Solder pins
-------------------	-------------

Connector

Connection 1

Head design	Socket
Head cable outlet	angled
Head thread type	M8

Environmental and real-life conditions

Ambient conditions

Degree of protection	IP67
Ambient temperature (operation)	-25 °C ... 85 °C

SACC-DSIV-M8FS-3CON-M10-L90 AU - Device connector rear mounting



1424314

<https://www.phoenixcontact.com/us/products/1424314>

Standards and regulations

Standard designation	M8 connector
Standards/specifications	according to IEC 61076-2-104

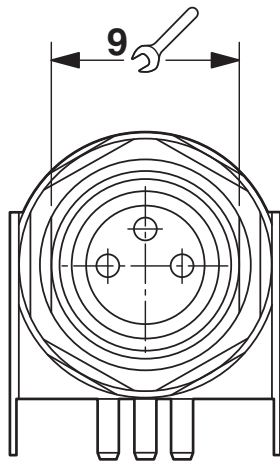
SACC-DSIV-M8FS-3CON-M10-L90 AU - Device connector rear mounting



1424314

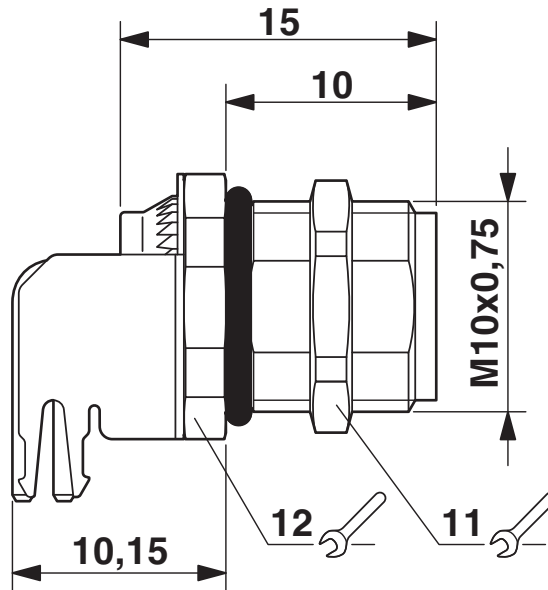
<https://www.phoenixcontact.com/us/products/1424314>

Drawings



M8 flush-type socket

Dimensional drawing

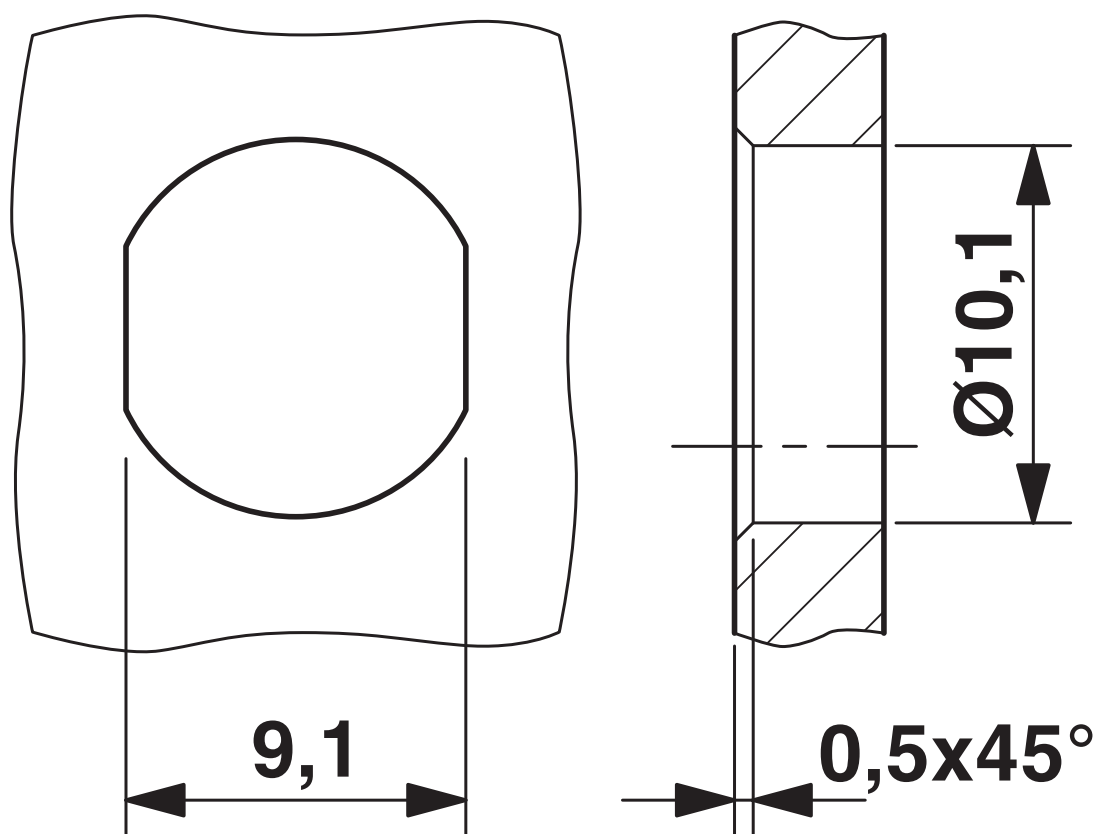


SACC-DSIV-M8FS-3CON-M10-L90 AU - Device connector rear mounting

1424314

<https://www.phoenixcontact.com/us/products/1424314>

Dimensional drawing



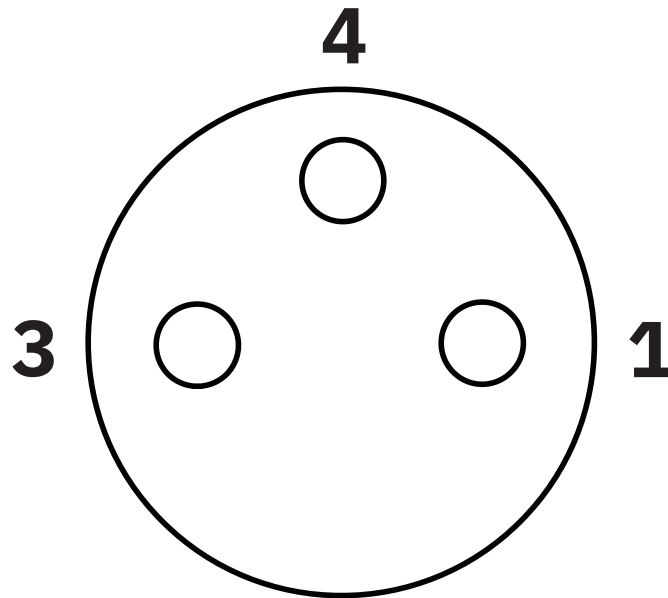
Mounting panel with feed-through hole

SACC-DSIV-M8FS-3CON-M10-L90 AU - Device connector rear mounting

1424314

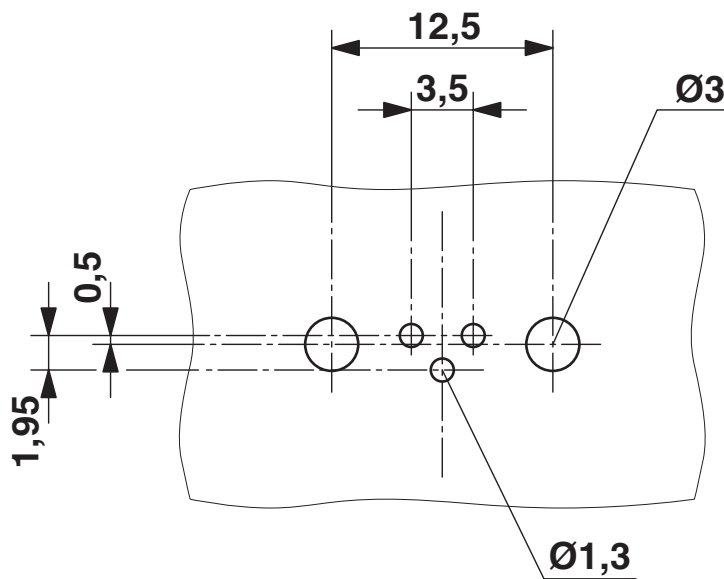
<https://www.phoenixcontact.com/us/products/1424314>

Schematic diagram



Pin assignment M8 socket, 3-pos., view female side

Drilling plan/solder pad geometry



Drilling diagram

SACC-DSIV-M8FS-3CON-M10-L90 AU - Device connector rear mounting





1424314

<https://www.phoenixcontact.com/us/products/1424314>

Approvals

To download certificates, visit the product detail page: <https://www.phoenixcontact.com/us/products/1424314>

 cUL Recognized Approval ID: E221474-20070307				
	Nominal voltage U_N	Nominal current I_N	Cross section AWG	Cross section mm^2
keine				
	30 V	4 A	24	-

 UL Recognized Approval ID: E221474-20070307				
	Nominal voltage U_N	Nominal current I_N	Cross section AWG	Cross section mm^2
keine				
	30 V	4 A	24	-

SACC-DSIV-M8FS-3CON-M10-L90 AU - Device connector rear mounting



1424314

<https://www.phoenixcontact.com/us/products/1424314>

Classifications

ECLASS

ECLASS-13.0	27440110
ECLASS-15.0	27440110

UNSPSC

UNSPSC 21.0	39121413
-------------	----------

SACC-DSIV-M8FS-3CON-M10-L90 AU - Device connector rear mounting



1424314

<https://www.phoenixcontact.com/us/products/1424314>

Environmental product compliance

EU RoHS

Fulfills EU RoHS substance requirements	Yes
Exemption	6(c)

China RoHS

Environment friendly use period (EFUP)	EFUP-50
	An article-related China RoHS declaration table can be found in the download area for the respective article under "Manufacturer declaration". For all articles with EFUP-E, no China RoHS declaration table issued and required.

EU REACH SVHC

REACH candidate substance (CAS No.)	Lead(CAS: 7439-92-1)
-------------------------------------	----------------------

EF3.1 Climate Change

CO2e kg	1.841 kg CO2e
---------	---------------

Phoenix Contact 2026 © - all rights reserved
<https://www.phoenixcontact.com>

Phoenix Contact USA
586 Fulling Mill Road
Middletown, PA 17057, United States
(+717) 944-1300
info@phoenixcon.com