

# QPD N2,5 9-14 BK - Nut

1423994

<https://www.phoenixcontact.com/us/products/1423994>



Please be informed that the data shown in this PDF document is generated from our online catalog. Please find the complete data in the user documentation. Our general terms of use for downloads are valid.



Nut, connection method: IDC connection, 1 mm<sup>2</sup> ... 2.5 mm<sup>2</sup>, 690 V, 20 A, PA, black, external cable diameter: 9 mm ... 14 mm

## Your advantages

- Innovative and time saving - QUICKON fast connection for time saving of up to 80 % for on-site connection
- Robust throughout: housing with IP68/IP69K and IK07 protection for a wide range of applications

## Commercial data

Item number	1423994
Packing unit	1 pc
Minimum order quantity	1 pc
Sales key	BF50
Product key	AF6UCX
GTIN	4055626366111
Weight per piece (including packing)	21.3 g
Weight per piece (excluding packing)	20.5 g
Customs tariff number	85389099
Country of origin	PL

# QPD N2,5 9-14 BK - Nut

1423994

<https://www.phoenixcontact.com/us/products/1423994>

## Technical data

### Product properties

Product type	Installation pressure nut
Product family	QPD
Type	QPD 4x2,5
Number of positions	4
Position marking	1, 2, 3, PE
Number of connections	10

### Insulation characteristics

Overvoltage category	III
Degree of pollution	3

### Electrical properties

Rated surge voltage (II/2)	6 kV
Rated surge voltage (III/2)	6 kV
Rated surge voltage (III/3)	6 kV
Rated current	20 A
rated voltage (II/2)	1000 V
rated voltage (III/2)	690 V
Rated voltage (III/3)	690 V
Nominal current $I_N$	20 A

### Connection data

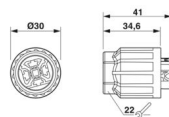
#### Connection technology

Connection method On the field side	IDC connection
Frequency of connections between conductors of the same cross section	max. 10

#### Conductor connection

Conductor cross-section flexibel	1 mm <sup>2</sup> ... 2.5 mm <sup>2</sup>
Conductor cross-section solid	1 mm <sup>2</sup> ... 2.5 mm <sup>2</sup>
Connection cross section AWG	16 ... 14
Tightening torque Union nut	10 Nm

### Dimensions

Dimensional drawing	
Width	30 mm
Height	30 mm
Length	40 mm

# QPD N2,5 9-14 BK - Nut



1423994

<https://www.phoenixcontact.com/us/products/1423994>

Diameter	30 mm
----------	-------

## Material specifications

Color	black (RAL 9005)
Material Housing	PA
Flammability rating according to UL 94	V0
Material wire insulation	PVC/PE/TPE/rubber
Contact carrier material	PA

## Cable/line

Structure of individual litz in acc. with VDE 0295 / smallest wire diameter	VDE 0295 class 1 to 6/min. 0.15 mm
External cable diameter	9 mm ... 14 mm
Wire diameter including insulation	2 mm ... 3.6 mm
Position marking	1, 2, 3, PE
Material wire insulation	PVC/PE/TPE/rubber

## Environmental and real-life conditions

### Ambient conditions

Degree of protection	IP66
	IP68 (2 m / 24 h)
	IP69K
	Touch-proof when not plugged in (IP2X)
Impact strength	IK07
Ambient temperature (operation)	-40 °C ... 100 °C
Temperature when conductor connected	-5 °C ... 50 °C
Ambient temperature (storage/transport)	-40 °C ... 80 °C

# QPD N2,5 9-14 BK - Nut

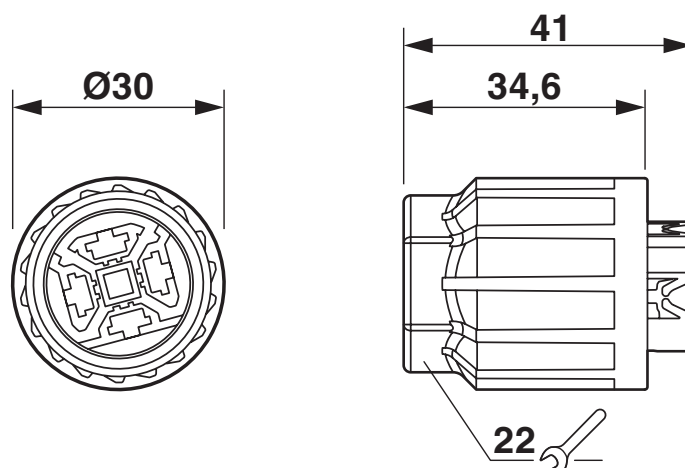
1423994

<https://www.phoenixcontact.com/us/products/1423994>



## Drawings

Dimensional drawing



# QPD N2,5 9-14 BK - Nut



1423994


<https://www.phoenixcontact.com/us/products/1423994>


## Approvals

To download certificates, visit the product detail page: <https://www.phoenixcontact.com/us/products/1423994>

	<b>IECEE CB Scheme</b> Approval ID: DE1-65875
---	--

	<b>VDE Zeichengenehmigung</b> Approval ID: 40029149			
	Nominal voltage $U_N$	Nominal current $I_N$	Cross section AWG	Cross section $\text{mm}^2$
keine				
Only flexible conductors	400 V	20 A	-	1.5 - 2.5
Only rigid conductors	690 V	20 A	-	1.5 - 2.5

	<b>UL Listed</b> Approval ID: E468743			
	Nominal voltage $U_N$	Nominal current $I_N$	Cross section AWG	Cross section $\text{mm}^2$
keine				
	600 V	15 A	- 14	- 14

	<b>cUL Listed</b> Approval ID: E468743			
	Nominal voltage $U_N$	Nominal current $I_N$	Cross section AWG	Cross section $\text{mm}^2$
keine				
	600 V	15 A	- 14	-

	<b>DNV GL</b> Approval ID: TAE00003J5
---	--

# QPD N2,5 9-14 BK - Nut



1423994

<https://www.phoenixcontact.com/us/products/1423994>

## Classifications

### ECLASS

ECLASS-13.0	27440691
ECLASS-15.0	27440691

### ETIM

ETIM 10.0	EC002863
-----------	----------

### UNSPSC

UNSPSC 21.0	39121400
-------------	----------

# QPD N2,5 9-14 BK - Nut

1423994

<https://www.phoenixcontact.com/us/products/1423994>



## Environmental product compliance

### EU RoHS

Fulfills EU RoHS substance requirements	Yes, No exemptions
---	--------------------

### China RoHS

Environment friendly use period (EFUP)	EFUP-E
	No hazardous substances above the limits

### EU REACH SVHC

REACH candidate substance (CAS No.)	No substance above 0.1 wt%
-------------------------------------	----------------------------

### EF3.1 Climate Change

CO2e kg	0.191 kg CO2e
---------	---------------

Phoenix Contact 2026 © - all rights reserved  
<https://www.phoenixcontact.com>

Phoenix Contact USA  
586 Fulling Mill Road  
Middletown, PA 17057, United States  
(+717) 944-1300  
[info@phoenixcon.com](mailto:info@phoenixcon.com)