

SACC-DSI-M8FS-3CON-M10/0,2 - Device connector rear mounting



1423936

<https://www.phoenixcontact.com/us/products/1423936>

Please be informed that the data shown in this PDF document is generated from our online catalog. Please find the complete data in the user documentation. Our general terms of use for downloads are valid.



Sensor/actuator flush-type socket, 3-pos., M8, rear/screw mounting with M10 thread, with 0.5 m TPE litz wire, 3 x 0.25 mm²

Your advantages

- Preassembled with litz wires for immediate use
- Customer-specific assemblies and litz wire lengths available
- Sealed on the litz wire side for optimum leak-tightness
- Standard pin assignments and codings for signal transmission with a uniform design-in design

Commercial data

Item number	1423936
Packing unit	1 pc
Minimum order quantity	1 pc
Note	Made to order (non-returnable)
Sales key	AB22
Product key	ABQYAA
GTIN	4055626356433
Weight per piece (including packing)	22.22 g
Weight per piece (excluding packing)	22.22 g
Customs tariff number	85444290
Country of origin	DE

SACC-DSI-M8FS-3CON-M10/0,2 - Device connector rear mounting



1423936

<https://www.phoenixcontact.com/us/products/1423936>

Technical data

Mounting

Tightening torque	1 Nm ... 1.5 Nm (Installation-side)
-------------------	-------------------------------------

Product properties

Product type	Circular connectors (device side)
Number of positions	3
No. of cable outlets	1
Shielded	no
Coding	A

Insulation characteristics

Overvoltage category	II
Degree of pollution	3

Material specifications

Material	EP (Grout material)
Flammability rating according to UL 94	HB
Seal material	FKM
Contact material	Cu alloy
Contact surface material	Au
Contact carrier material	PUR/PA 6.6
Material for screw connection	Zinc die-cast, nickel-plated
Conductor material	Tin-plated Cu litz wires

Electrical properties

Rated surge voltage	1.5 kV
Nominal voltage U_N	50 V AC 60 V DC
Nominal current I_N	4 A

Connection data

Conductor connection

Connection method	Individual wires
Tightening torque	1 Nm ... 1.5 Nm (Installation-side)

Cable/line

Cable length	0.2 m
Cable type	PVC litz wire
Wire diameter incl. insulation	1.5 mm \pm 0.1 mm
Single wire, color	brown, blue, black

SACC-DSI-M8FS-3CON-M10/0,2 - Device connector rear mounting



1423936

<https://www.phoenixcontact.com/us/products/1423936>

Cable cross section	0.25 mm ²
Conductor material	Tin-plated Cu litz wires
AWG signal line	24
Thickness, insulation	0.21 mm
Ambient temperature (operation)	-40 °C ... 105 °C (cable, fixed installation) -10 °C ... 105 °C

Environmental and real-life conditions

Ambient conditions

Degree of protection	IP67
Ambient temperature (operation)	-25 °C ... 85 °C (Socket)
Ambient temperature (operation) (Cable, fixed installation)	-40 °C ... 105 °C (cable, fixed installation)
Ambient temperature (operation) (Cable, flexible installation)	-10 °C ... 105 °C

Standards and regulations

M8

Standard designation	M8 connector
Standards/specifications	IEC 61076-2-104

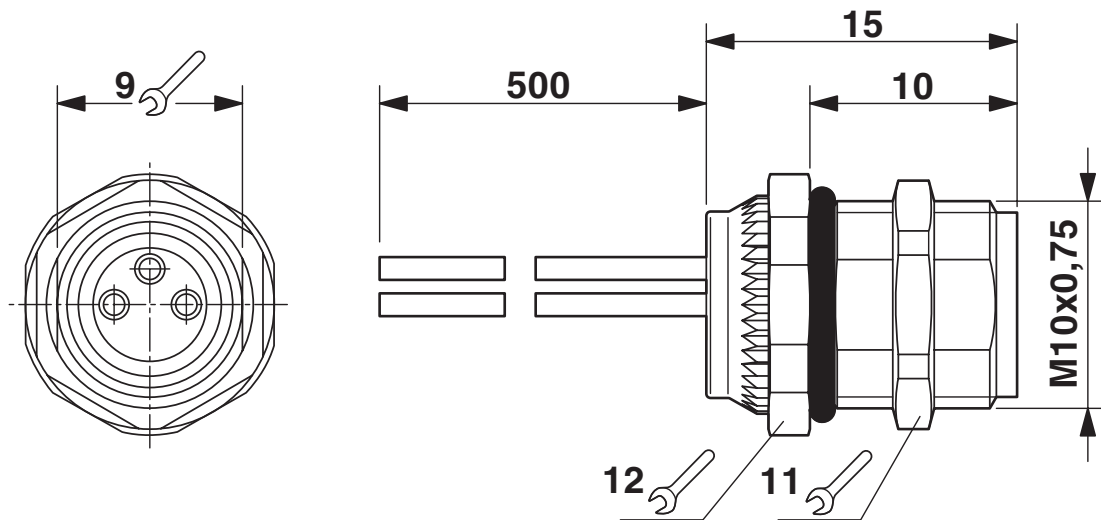
SACC-DSI-M8FS-3CON-M10/0,2 - Device connector rear mounting

1423936

<https://www.phoenixcontact.com/us/products/1423936>

Drawings

Dimensional drawing



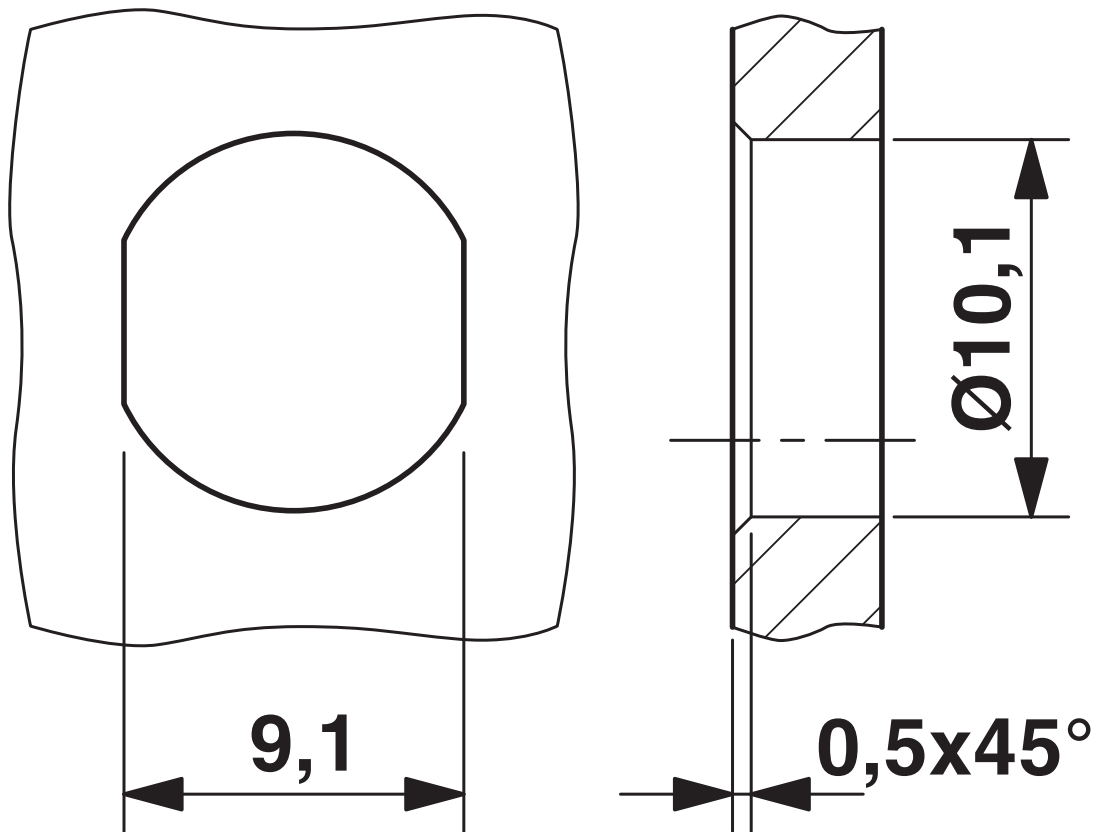
M8 flush-type socket

SACC-DSI-M8FS-3CON-M10/0,2 - Device connector rear mounting

1423936

<https://www.phoenixcontact.com/us/products/1423936>

Dimensional drawing



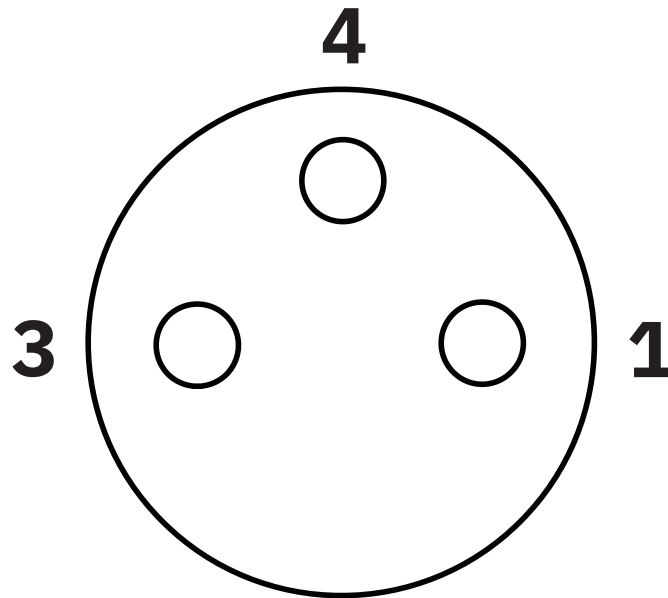
Mounting panel with feed-through hole

SACC-DSI-M8FS-3CON-M10/0,2 - Device connector rear mounting

1423936

<https://www.phoenixcontact.com/us/products/1423936>

Schematic diagram



Pin assignment M8 socket, 3-pos., view female side

SACC-DSI-M8FS-3CON-M10/0,2 - Device connector rear mounting



1423936

<https://www.phoenixcontact.com/us/products/1423936>

Classifications

UNSPSC

UNSPSC 21.0	39121413
-------------	----------

Phoenix Contact 2026 © - all rights reserved

<https://www.phoenixcontact.com>

Phoenix Contact USA
586 Fulling Mill Road
Middletown, PA 17057, United States
(+717) 944-1300
info@phoenixcon.com