

# HC-ADV-B24-1TM32-1SM25-EMC-PS - Housing



1423228

<https://www.phoenixcontact.com/us/products/1423228>

Please be informed that the data shown in this PDF document is generated from our online catalog. Please find the complete data in the user documentation. Our general terms of use for downloads are valid.



Sleeve housing B24, Screw locking mechanism, material: Die-cast aluminum, salt water resistant, cable outlets: 2, straight, lateral, 1x M32 / 1x M25, height: 93.7 mm, cable gland: none, Offshore/EMC

## Commercial data

Item number	1423228
Packing unit	1 pc
Minimum order quantity	1 pc
Note	Made to order (non-returnable)
Sales key	BF58
Product key	AF7APH
GTIN	4055626327907
Weight per piece (including packing)	375 g
Weight per piece (excluding packing)	375 g
Customs tariff number	85389099
Country of origin	PL

1423228

<https://www.phoenixcontact.com/us/products/1423228>

## Technical data

### Notes

General	for contact inserts HC-B24, BB46, D64, DD108, HV10/16, M
---------	--

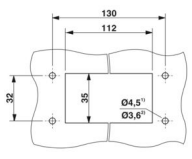
### Product properties

Product type	Housing with screw locking
Housing type	Sleeve housing
Application	Offshore/EMC
Type	B24
No. of cable outlets	2
Type of the screw connection	1x M32 / 1x M25
Fixing screws	M6 (screw head: Pozidrive)
Shielded	yes
Cable outlet	straight, lateral
Pg screw connection	none

### Connection data

Tightening torque	3 Nm ... 5 Nm (for M6 mounting screws on the sleeve housing)
-------------------	--

### Dimensions

Dimensional drawing	
Width	57 mm
Height	93.7 mm
Length	152 mm

### Installation dimensions

Width of the assembly cutout	35 mm
Length of the assembly cutout	112 mm

### Material specifications

Seal material	NBR, conductive
Housing material	Die-cast aluminum, salt water resistant
Housing surface material	uncoated
Locking latch material	Stainless steel

### Environmental and real-life conditions

#### Ambient conditions

Degree of protection	IP66
	IP68 (0.2 bar/24 h)

# HC-ADV-B24-1TM32-1SM25-EMC-PS - Housing



1423228

<https://www.phoenixcontact.com/us/products/1423228>

Enclosure rating (NEMA)	4 (NEMA 250)
	4X (NEMA 250)
	6P (NEMA 250)
	12 (NEMA 250)
Impact strength	IK09
Ambient temperature (operation)	-40 °C ... 125 °C

## Mechanical properties

### Mechanical data

Type of the screw connection	1x M32 / 1x M25
------------------------------	-----------------

## Mounting

Assembly note	M6 locking screw, with Pozidrive head
	To ensure optimum shielding, any insulating power coating must be removed from the profile gasket area on the control cabinet panel. Tightening torque of locking screw: 3 Nm.
Fixing screws	M6 (screw head: Pozidrive)

1423228

<https://www.phoenixcontact.com/us/products/1423228>

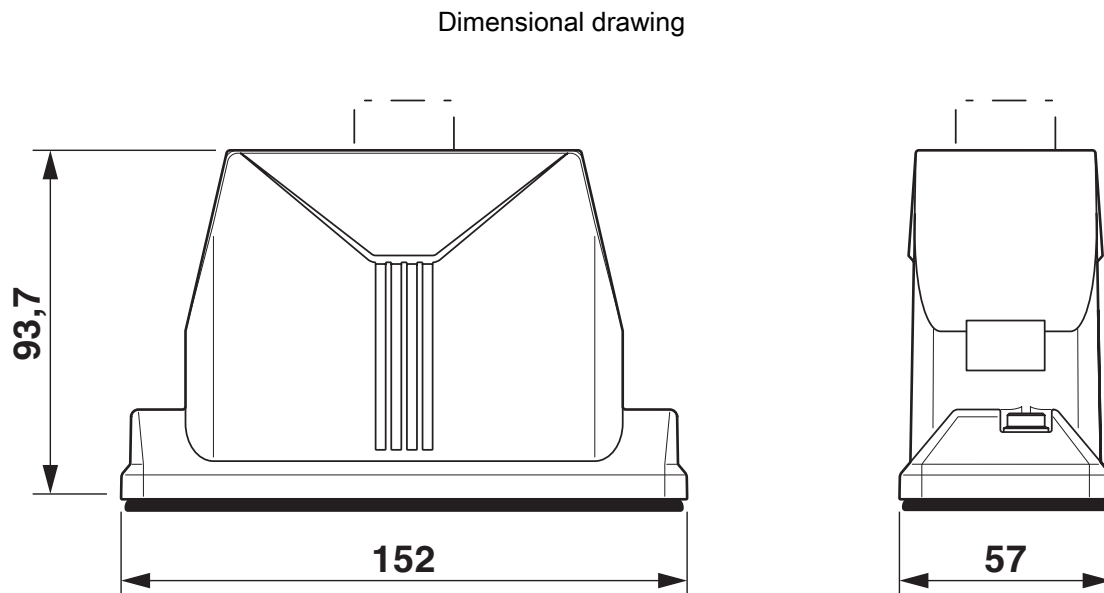
## Drawings



Mounting cutout

1) when M4 screws are used

2) when self-tapping Torx® screws are used (Torx® 20, M4)



Dimensional drawing

# HC-ADV-B24-1TM32-1SM25-EMC-PS - Housing



1423228

<https://www.phoenixcontact.com/us/products/1423228>

## Classifications

### ECLASS

ECLASS-13.0	27440202
ECLASS-15.0	27440202

### UNSPSC

UNSPSC 21.0	31261500
-------------	----------

1423228

<https://www.phoenixcontact.com/us/products/1423228>

## Environmental product compliance

### EU RoHS

Fulfills EU RoHS substance requirements	Yes, No exemptions
---	--------------------

### China RoHS

Environment friendly use period (EFUP)	EFUP-E
	No hazardous substances above the limits

### EU REACH SVHC

REACH candidate substance (CAS No.)	No substance above 0.1 wt%
-------------------------------------	----------------------------

Phoenix Contact 2026 © - all rights reserved  
<https://www.phoenixcontact.com>

Phoenix Contact USA  
586 Fulling Mill Road  
Middletown, PA 17057, United States  
(+717) 944-1300  
[info@phoenixcon.com](mailto:info@phoenixcon.com)