

SACC-M12FR-5CT-CM SH - Connector



1422853

<https://www.phoenixcontact.com/us/products/1422853>

Please be informed that the data shown in this PDF document is generated from our online catalog. Please find the complete data in the user documentation. Our general terms of use for downloads are valid.



Connector, Universal, 5-position, shielded, Socket angled M12, coding: A, Crimp connection, knurl material: Zinc die-cast, tin-plated, external cable diameter 4.5 mm ... 7.5 mm, without crimp contacts

Your advantages

- Extremely compact, thanks to the small wiring space and high contact density
- Safe use in the field, thanks to a high degree of protection
- Safely shielded: reliable shield connection even under extreme mechanical strain
- Robust connection: suitable for railway applications with high shock and vibration loads
- Protected seal in the M12 socket

Commercial data

Item number	1422853
Packing unit	1 pc
Minimum order quantity	1 pc
Sales key	BF34
Product key	AF2CJA
GTIN	4055626363301
Weight per piece (including packing)	36.38 g
Weight per piece (excluding packing)	36 g
Customs tariff number	85366990
Country of origin	DE

Technical data

Notes

Assembly note	NOTE: Observe the permissible bending radii when routing cables, since the degree of protection may be at risk if the bending forces are too high. Reduce mechanical loads upstream of the connector, e.g., by using cable ties.
---------------	---

Mounting

Assembly note	Contacts can be clipped in place and unclipped without tools
	The pin assignment can be rotated in a 30° pitch to the cable outlet

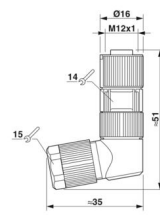
Product properties

Product type	Circular connector (cable-side)
Sensor type	Universal
Number of positions	5
No. of cable outlets	1
Shielded	yes
Coding	A
Cable outlet	angled

Insulation characteristics

Overvoltage category	III
Degree of pollution	3

Dimensions

Dimensional drawing	
Length	51 mm
Wrench size, union nut	15 mm
Wrench size, counter nut	14 mm

External dimensions

Outside diameter	4.5 mm ... 7.5 mm
------------------	-------------------

Housing

Diameter housing	16 mm
------------------	-------

Material specifications

Flammability rating according to UL 94	V0
--	----

SACC-M12FR-5CT-CM SH - Connector



1422853

<https://www.phoenixcontact.com/us/products/1422853>

Seal material	FKM
Material of grip body	Zinc die-cast, nickel-plated
Contact carrier material	PA 6.6
Material for screw connection	Zinc die-cast, tin-plated
Standards/regulations	PA 6.6

Connection data

Conductor connection

Connection method	Crimp connection
Connection cross section	0.14 mm ² ... 1 mm ² (flexible)
Connection cross section AWG	26 ... 18 (flexible)
Stripping length of the individual wire	4 mm +0,5 mm
Tightening torque	0.4 Nm (M12 knurl)
	1.5 Nm (Screw plug insert with sleeve housing as far it will go)
	4 Nm (Pressure nut with coupling sleeve)

Connection assignment

Contact Color (signal designation) Contact (optional)	1 = BN
	2 = WH
	3 = BU
	4 = BK
	5 = GY

Electrical properties

Rated surge voltage	1.5 kV
Insulation resistance	≥ 100 MΩ
Nominal voltage U _N	48 V AC
	60 V DC
Nominal current I _N	4 A

Mechanical properties

Mechanical data

Insertion/withdrawal cycles	≥ 100
-----------------------------	-------

Connector

Connection 1

Head design	Socket
Head cable outlet	angled
Head thread type	M12
Coding	A

Cable/line

Signal type/category	Universal
Stripping length of the individual wire	4 mm +0,5 mm

SACC-M12FR-5CT-CM SH - Connector



1422853

<https://www.phoenixcontact.com/us/products/1422853>

Environmental and real-life conditions

Ambient conditions

Degree of protection	IP65
	IP67
Ambient temperature (operation) (male connector/female connector)	-40 °C ... 85 °C (Plug / socket)

Standards and regulations

Testing

Standards/regulations	PA 6.6: Fire protection in rail vehicles - requirement sets R22, R23, R24, and R26 acc. to DIN EN 45545-2 (Risk level HL1 - HL3)
-----------------------	--

M12

Standard designation	M12 connector
Standards/specifications	IEC 61076-2-101
Standard designation	Shock, vibration
Standards/specifications	EN 50155:2001

SACC-M12FR-5CT-CM SH - Connector

1422853

<https://www.phoenixcontact.com/us/products/1422853>

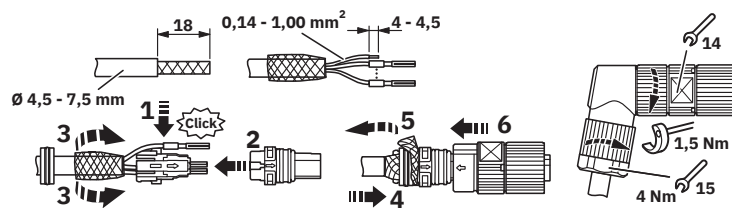
Drawings

Dimensional drawing



M12 x 1 socket, angled, shielded

Functional drawing



Functional drawing

SACC-M12FR-5CT-CM SH - Connector

1422853

<https://www.phoenixcontact.com/us/products/1422853>



Schematic diagram



Pin assignment M12 socket, 5-pos., A-coded, socket side view

SACC-M12FR-5CT-CM SH - Connector



1422853

<https://www.phoenixcontact.com/us/products/1422853>

Classifications

ECLASS

ECLASS-13.0	27440116
ECLASS-15.0	27440116

ETIM

ETIM 10.0	EC002635
-----------	----------

UNSPSC

UNSPSC 21.0	39121400
-------------	----------

SACC-M12FR-5CT-CM SH - Connector



1422853

<https://www.phoenixcontact.com/us/products/1422853>

Environmental product compliance

EU RoHS

Fulfills EU RoHS substance requirements	Yes, No exemptions
---	--------------------

China RoHS

Environment friendly use period (EFUP)	EFUP-E
	No hazardous substances above the limits

EU REACH SVHC

REACH candidate substance (CAS No.)	No substance above 0.1 wt%
-------------------------------------	----------------------------

EF3.1 Climate Change

CO2e kg	2.764 kg CO2e
---------	---------------

Phoenix Contact 2026 © - all rights reserved
<https://www.phoenixcontact.com>

Phoenix Contact USA
586 Fulling Mill Road
Middletown, PA 17057, United States
(+717) 944-1300
info@phoenixcon.com