

SACC-M12FSD-4CT-CM SH PN - Data connector



1422848

<https://www.phoenixcontact.com/us/products/1422848>

Please be informed that the data shown in this PDF document is generated from our online catalog. Please find the complete data in the user documentation. Our general terms of use for downloads are valid.



Data connector, PROFINET CAT5 (100 Mbps), 4-position, shielded, Socket straight M12, coding: D, Crimp connection, knurl material: Zinc die-cast, tin-plated, external cable diameter 4.5 mm ... 7.5 mm, without crimp contacts

Your advantages

- Extremely compact, thanks to the small wiring space and high contact density
- Safe use in the field, thanks to a high degree of protection
- Safely shielded: reliable shield connection even under extreme mechanical strain
- Robust connection: suitable for railway applications with high shock and vibration loads
- Protected seal in the M12 socket

Commercial data

| | |
|--------------------------------------|---------------|
| Item number | 1422848 |
| Packing unit | 1 pc |
| Minimum order quantity | 1 pc |
| Sales key | BF34 |
| Product key | AF2CJN |
| GTIN | 4055626357751 |
| Weight per piece (including packing) | 22.37 g |
| Weight per piece (excluding packing) | 21.9 g |
| Customs tariff number | 85366990 |
| Country of origin | DE |

1422848

<https://www.phoenixcontact.com/us/products/1422848>

Technical data

Mounting

| | |
|---------------|--|
| Assembly note | Contacts can be clipped in place and unclipped without tools |
|---------------|--|

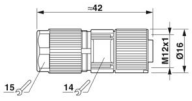
Product properties

| | |
|----------------------|---------------------------------|
| Product type | Circular connector (cable-side) |
| Application | Data |
| Sensor type | PROFINET |
| Number of positions | 4 |
| No. of cable outlets | 1 |
| Shielded | yes |
| Coding | D |
| Cable outlet | straight |

Insulation characteristics

| | |
|----------------------|----|
| Overvoltage category | II |
| Degree of pollution | 3 |

Dimensions

| | |
|--------------------------|--|
| Dimensional drawing |  |
| Length | 42 mm |
| Wrench size, union nut | 15 mm |
| Wrench size, counter nut | 14 mm |

External dimensions

| | |
|------------------|-------------------|
| Outside diameter | 4.5 mm ... 7.5 mm |
|------------------|-------------------|

Housing

| | |
|------------------|-------|
| Diameter housing | 16 mm |
|------------------|-------|

Material specifications

| | |
|--|------------------------------|
| Flammability rating according to UL 94 | V0 |
| Seal material | FKM |
| Material of grip body | Zinc die-cast, nickel-plated |
| Contact carrier material | PA 6.6 |
| Material for screw connection | Zinc die-cast, tin-plated |
| Standards/regulations | PA 6.6 |

Connection data

| | |
|----------------------|--|
| Conductor connection | |
|----------------------|--|

SACC-M12FSD-4CT-CM SH PN - Data connector



1422848

<https://www.phoenixcontact.com/us/products/1422848>

| | |
|---|--|
| Connection method | Crimp connection |
| Connection cross section | 0.14 mm ² ... 1 mm ² (flexible) |
| Connection cross section AWG | 26 ... 18 (flexible) |
| Stripping length of the individual wire | 4 mm +0,5 mm |
| Tightening torque | 0.4 Nm (M12 knurl) 4 Nm (Pressure nut with coupling sleeve) |

Connection assignment

| | |
|---|--------|
| Contact Color (signal designation) Contact (optional) | 1 = YE |
| | 2 = WH |
| | 3 = OG |
| | 4 = BU |

Electrical properties

| | |
|--------------------------------|--------------------|
| Rated surge voltage | 2.5 kV |
| Insulation resistance | ≥ 100 MΩ |
| Nominal voltage U _N | 48 V AC 60 V DC |
| Nominal current I _N | 4 A |
| Transmission speed | 100 Mbps |

Mechanical properties

Mechanical data

| | |
|-----------------------------|-------|
| Insertion/withdrawal cycles | ≥ 100 |
|-----------------------------|-------|

Connector

Connection 1

| | |
|-------------------|----------|
| Head design | Socket |
| Head cable outlet | straight |
| Head thread type | M12 |
| Coding | D |

Cable/line

| | |
|---|-------------------------------------|
| Signal type/category | PROFINET CAT5 (IEC 11801), 100 Mbps |
| Stripping length of the individual wire | 4 mm +0,5 mm |

Environmental and real-life conditions

Ambient conditions

| | |
|---|----------------------------------|
| Degree of protection | IP65 IP67 |
| Ambient temperature (operation) (male connector/female connector) | -40 °C ... 85 °C (Plug / socket) |

Standards and regulations

SACC-M12FSD-4CT-CM SH PN - Data connector



1422848

<https://www.phoenixcontact.com/us/products/1422848>

Testing

| | |
|--------------------------|--|
| Standards/regulations | PA 6.6: Fire protection in rail vehicles - requirement sets R22, R23, R24, and R26 acc. to DIN EN 45545-2 (Risk level HL1 - HL3) |
| Standard designation | M12 connector |
| Standards/specifications | IEC 61076-2-101 |
| Standard designation | Shock, vibration |
| Standards/specifications | EN 50155:2001 |

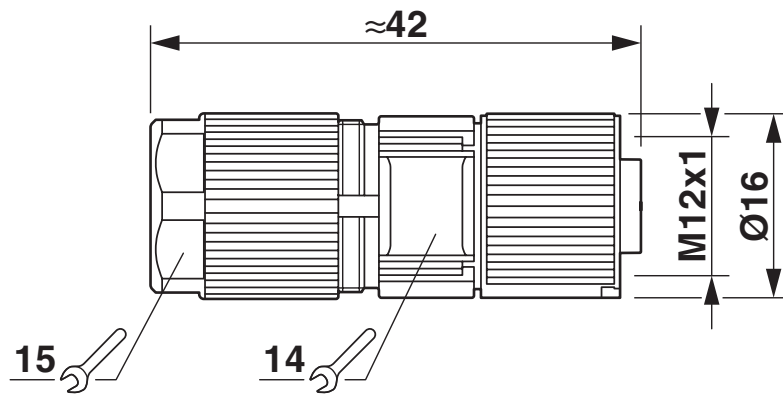
SACC-M12FSD-4CT-CM SH PN - Data connector

1422848

<https://www.phoenixcontact.com/us/products/1422848>

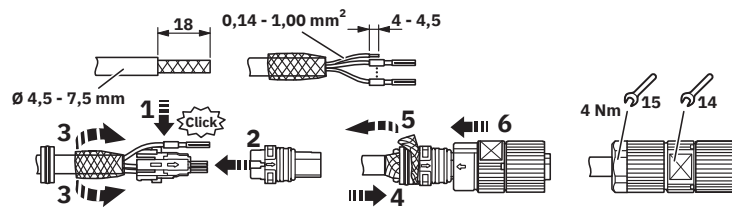
Drawings

Dimensional drawing

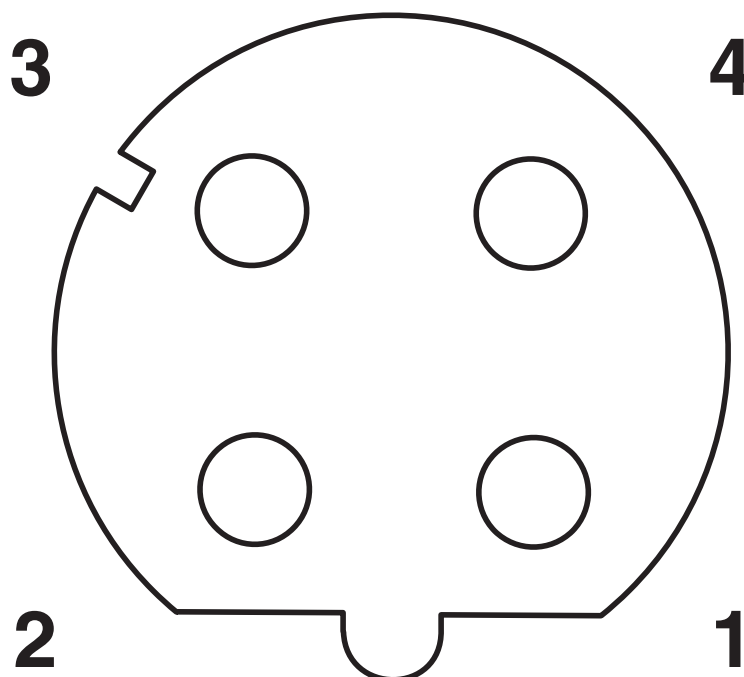


M12 x 1 socket, straight, shielded

Functional drawing



Schematic diagram



Pin assignment M12 socket, 4-pos., D-coded, female side

SACC-M12FSD-4CT-CM SH PN - Data connector



1422848

<https://www.phoenixcontact.com/us/products/1422848>

Classifications

ECLASS

| | |
|-------------|----------|
| ECLASS-13.0 | 27440116 |
| ECLASS-15.0 | 27440116 |

ETIM

| | |
|-----------|----------|
| ETIM 10.0 | EC002635 |
|-----------|----------|

UNSPSC

| | |
|-------------|----------|
| UNSPSC 21.0 | 39121400 |
|-------------|----------|

1422848

<https://www.phoenixcontact.com/us/products/1422848>

Environmental product compliance

EU RoHS

| | |
|---|--------------------|
| Fulfills EU RoHS substance requirements | Yes, No exemptions |
|---|--------------------|

China RoHS

| | |
|--|--|
| Environment friendly use period (EFUP) | EFUP-E |
| | No hazardous substances above the limits |

EU REACH SVHC

| | |
|-------------------------------------|----------------------------|
| REACH candidate substance (CAS No.) | No substance above 0.1 wt% |
|-------------------------------------|----------------------------|

EF3.1 Climate Change

| | |
|---------|---------------|
| CO2e kg | 1.488 kg CO2e |
|---------|---------------|

Phoenix Contact 2026 © - all rights reserved
<https://www.phoenixcontact.com>

Phoenix Contact USA
586 Fulling Mill Road
Middletown, PA 17057, United States
(+717) 944-1300
info@phoenixcon.com