

SAC- 5,0/0,2-116/2XA-1L-Z110V - Double valve connector cable



1422561

<https://www.phoenixcontact.com/us/products/1422561>

Please be informed that the data shown in this PDF document is generated from our online catalog. Please find the complete data in the user documentation. Our general terms of use for downloads are valid.



Double valve connector cable, 4-position, PUR/PVC, black, free cable end, on Valve connector A, with 1 LED, Wiring: Suppressor diode and Valve connector A, with 1 LED, Wiring: Suppressor diode, cable length: 5 m, valve connector spacing: 0.2 m

Your advantages

- Easy and safe: 100 % electrically tested plug-in components
- Efficient: control valves with two connections via a single connecting cable
- Convenient: increased machine availability thanks to quick and easy diagnostics

Commercial data

Item number	1422561
Packing unit	1 pc
Note	Made to order (non-returnable)
Sales key	BF07
Product key	AF1DGA
GTIN	4055626353906
Weight per piece (including packing)	385 g
Weight per piece (excluding packing)	385 g
Customs tariff number	85444290
Country of origin	PL

SAC- 5,0/0,2-116/2XA-1L-Z110V - Double valve connector cable



1422561

<https://www.phoenixcontact.com/us/products/1422561>

Technical data

Product properties

Product type	Sensor/actuator cable with valve connector
Application	Standard
Number of positions	4
No. of cable outlets	1
Shielded	no

Insulation characteristics

Overvoltage category	II
Degree of pollution	3

Material specifications

Flammability rating according to UL 94	HB
Seal material	TPU
Material housing valve plug	TPU
Contact material	CuSn
Valve plug contact insert material	PA 6.6
Contact surface material	Sn
Outer sheath, material	PUR

Electrical properties

Insulation resistance	≥ 100 MΩ
Nominal voltage U_N	110 V AC 110 V DC
Nominal current I_N	4 A

Valve connector characteristics

Fixing screws	M3 x 29
---------------	---------

Mechanical properties

Mechanical data

Insertion/withdrawal cycles	50
-----------------------------	----

Signaling

Status display	1 LED
Status display present	yes

Connector

Connection 1

Type	free cable end
------	----------------

SAC- 5,0/0,2-116/2XA-1L-Z110V - Double valve connector cable

1422561

<https://www.phoenixcontact.com/us/products/1422561>

Connection 2

Type	Valve connector A
Material	CuSn (Contact)
	Sn (Contact surface)
	PA 6.6 (Contact carrier)
	TPU (Housing)
Protective circuit	Suppressor diode


Connection 3

Type	Valve connector A
Material	CuSn (Contact)
	Sn (Contact surface)
	PA 6.6 (Contact carrier)
	TPU (Housing)
Protective circuit	Suppressor diode

Cable/line

Cable length	5 m
	0.2 m

PUR/PVC, 0.75 mm², black [116]

Dimensional drawing	
Cable weight	57 kg/km
UL AWM Style	20549
Number of positions	4
Shielded	no
Cable type	PUR/PVC, 0.75 mm ² , black [116]
Conductor structure signal line	24x 0.20 mm
AWG signal line	18
Conductor cross-section	4x 0.75 mm ²
Wire diameter incl. insulation	1.7 mm ±0.05 mm
External cable diameter	6.30 mm ±0.2 mm
Outer sheath, material	PUR
External sheath, color	black
Conductor material	Bare Cu litz wires
Material wire insulation	PVC

SAC- 5,0/0,2-116/2XA-1L-Z110V - Double valve connector cable



1422561

<https://www.phoenixcontact.com/us/products/1422561>

Single wire, color	black 1, black 2, black 3, green/yellow
Overall twist	4 wires, twisted
Max. conductor resistance	26 Ω/km (at 20 °C)
Insulation resistance	≥ 20 MΩ*km
Nominal voltage, cable	300 V
Test voltage	1200 V
Smallest bending radius, fixed installation	63 mm
Flame resistance	according to DIN VDE 0482 According to DIN EN 50265-2-1 in acc. with UL FT-2
Ambient temperature (operation)	-5 °C ... 80 °C (Cable, flexible installation) -40 °C ... 80 °C (cable, fixed installation)

Environmental and real-life conditions

Ambient conditions

Degree of protection	IP65 IP67
Ambient temperature (operation)	-25 °C ... 85 °C (Valve connector)

Standards and regulations

Valve connector

Standard designation	Valve connector
----------------------	-----------------

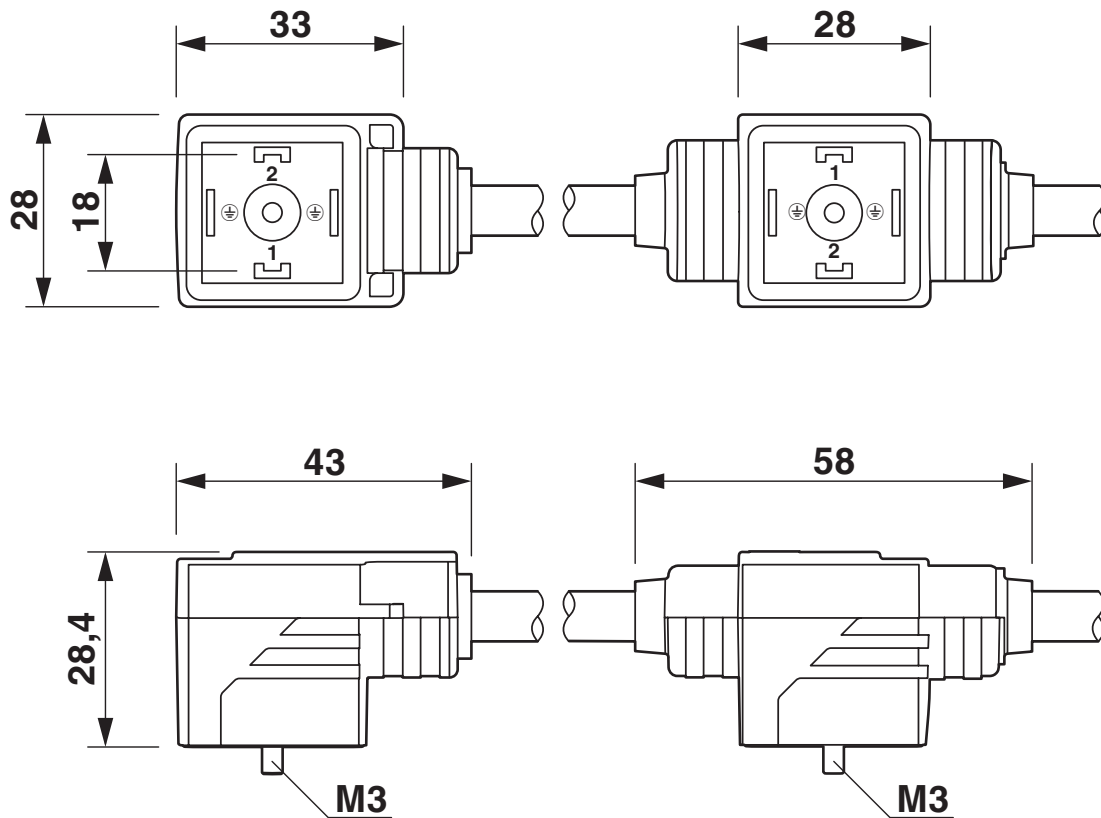
SAC- 5,0/0,2-116/2XA-1L-Z110V - Double valve connector cable

1422561

<https://www.phoenixcontact.com/us/products/1422561>

Drawings

Dimensional drawing



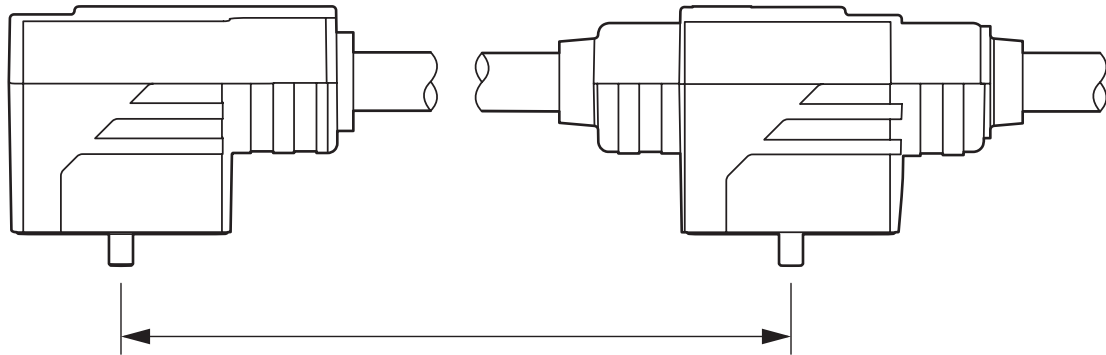
Double valve connector, 2x type A

SAC- 5,0/0,2-116/2XA-1L-Z110V - Double valve connector cable

1422561

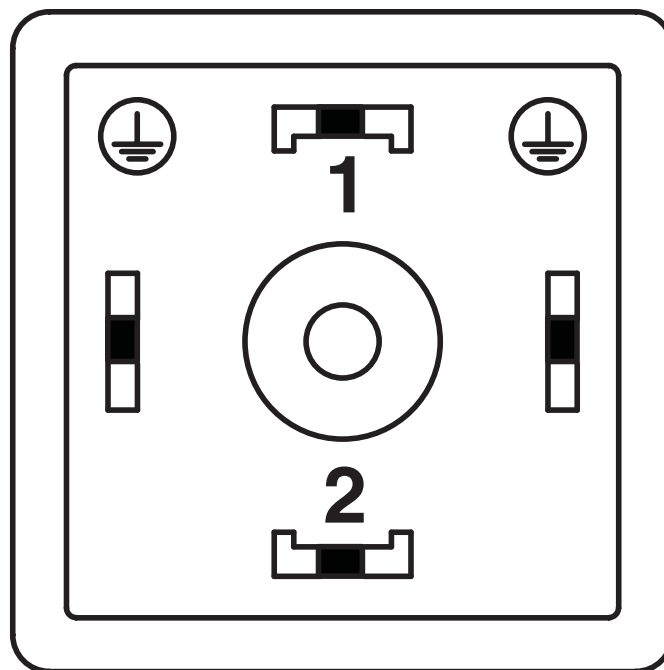
<https://www.phoenixcontact.com/us/products/1422561>

Dimensional drawing



Valve connector spacing

Schematic diagram



Valve connector pin assignment, type A

SAC- 5,0/0,2-116/2XA-1L-Z110V - Double valve connector cable



1422561

<https://www.phoenixcontact.com/us/products/1422561>

Classifications

ECLASS

ECLASS-13.0	27060312
ECLASS-15.0	27060312

SAC- 5,0/0,2-116/2XA-1L-Z110V - Double valve connector cable



1422561

<https://www.phoenixcontact.com/us/products/1422561>

Environmental product compliance

China RoHS

Environment friendly use period (EFUP)	EFUP-50
	An article-related China RoHS declaration table can be found in the download area for the respective article under "Manufacturer declaration". For all articles with EFUP-E, no China RoHS declaration table issued and required.

EU REACH SVHC

REACH candidate substance (CAS No.)	No substance above 0.1 wt%
-------------------------------------	----------------------------

Phoenix Contact 2026 © - all rights reserved
<https://www.phoenixcontact.com>

Phoenix Contact USA
586 Fulling Mill Road
Middletown, PA 17057, United States
(+717) 944-1300
info@phoenixcon.com