

SACB-8/16-L- 0,2PUR SCO - Distributor box



1422308

<https://www.phoenixcontact.com/us/products/1422308>

Please be informed that the data shown in this PDF document is generated from our online catalog. Please find the complete data in the user documentation. Our general terms of use for downloads are valid.



Distributor box, application: Standard, extended requirements, number of slots: 8, number of positions: 5, coding: A, slot assignment: Double, status display: yes; master cable connection: Fixed connection 180°, PUR/PVC, cable length: 0.2 m, shielding: no

Your advantages

- Safety in the field, thanks to molded housing and high degree of protection
- Convenient: increased machine availability thanks to quick and easy diagnostics
- Save space: distributor box with double occupancy for two sensors in one slot
- Save time, thanks to installation with SPEEDCON fast locking system

Commercial data

Item number	1422308
Packing unit	1 pc
Minimum order quantity	1 pc
Note	Made to order (non-returnable)
Sales key	BF19
Product key	AF3CCA
GTIN	4055626299341
Weight per piece (including packing)	22.22 g
Weight per piece (excluding packing)	22.22 g
Customs tariff number	85444290
Country of origin	PL

SACB-8/16-L- 0,2PUR SCO - Distributor box

1422308

<https://www.phoenixcontact.com/us/products/1422308>

Technical data

Product properties

Product type	Distributor box
Application	Standard, extended requirements
Number of positions	5
Number of slots	8
Coding	A

Electrical properties

Max. operating voltage U_{max}	30 V DC
Nominal voltage U_N	24 V DC
Rated current, total	12 A
Max. current carrying capacity per path	2 A
Current carrying capacity per slot	4 A

Signaling

Status display present	yes
------------------------	-----

Material specifications

Material Threaded sleeve	Die-cast zinc
Material Housing	PBT
Material Molding compound	PUR
Flammability rating according to UL 94	V0
Seal material O-ring	NBR
Contact material	Cu alloy
Contact surface material	gold-plated
Contact carrier material	PA

Cable/line

Cable length	0.2 m
--------------	-------

PUR/PVC black [PUR]

Dimensional drawing	
Cable weight	183.7 kg/km
UL AWM Style	20549 (80°C/300 V)
Number of positions	19

SACB-8/16-L- 0,2PUR SCO - Distributor box



1422308

<https://www.phoenixcontact.com/us/products/1422308>

Shielded	no
Cable type	PUR/PVC black [PUR]
Conductor structure signal line	28x 0.15 mm
AWG signal line	20
Conductor structure, voltage supply	56x 0.15 mm
AWG power supply	17
Conductor cross-section	16x 0.5 mm ² (Signal line) 3x 1 mm ² (power line)
Wire diameter incl. insulation	1.5 mm ±0.1 mm (Signal line) 2.1 mm ±0.1 mm (power line)
External cable diameter	10.50 mm ±0.2 mm
Outer sheath, material	PUR
External sheath, color	black RAL 9005
Conductor material	Bare Cu litz wires
Material wire insulation	PVC
Single wire, color	brown, blue, green/yellow, white, green, yellow, gray, pink, red, black, violet, gray/pink, red/blue, white/green, brown/green, white/yellow, yellow/brown, white/gray, gray/brown
Inner sheath thickness	≥ 0.15 mm
Thickness, outer sheath	≥ 0.76 mm
Overall twist	Wires twisted in layers
Nominal voltage, cable	300 V
Test voltage	2000 V
Minimum bending radius, fixed installation	7.5 x D
Minimum bending radius, flexible installation	10 x D
Smallest bending radius, fixed installation	79 mm
Smallest bending radius, movable installation	105 mm
Dynamic load capacity (bending)	Max. bending cycles: 1500000, Bending radius: 10 x D, Traversing path: 2 m, Traversing rate: 2 m/s
Flame resistance	according to DIN EN 50265
Resistance to oil	according to VDE 0472 Part 803
Other resistance	Highly resistant to acids, alkaline solutions and solvents
Special properties	Silicone-free
Ambient temperature (operation)	-40 °C ... 90 °C (cable, fixed installation) -5 °C ... 80 °C (Cable, flexible installation)

Environmental and real-life conditions

Ambient conditions

Degree of protection	IP65 IP67
----------------------	--------------

Standards and regulations

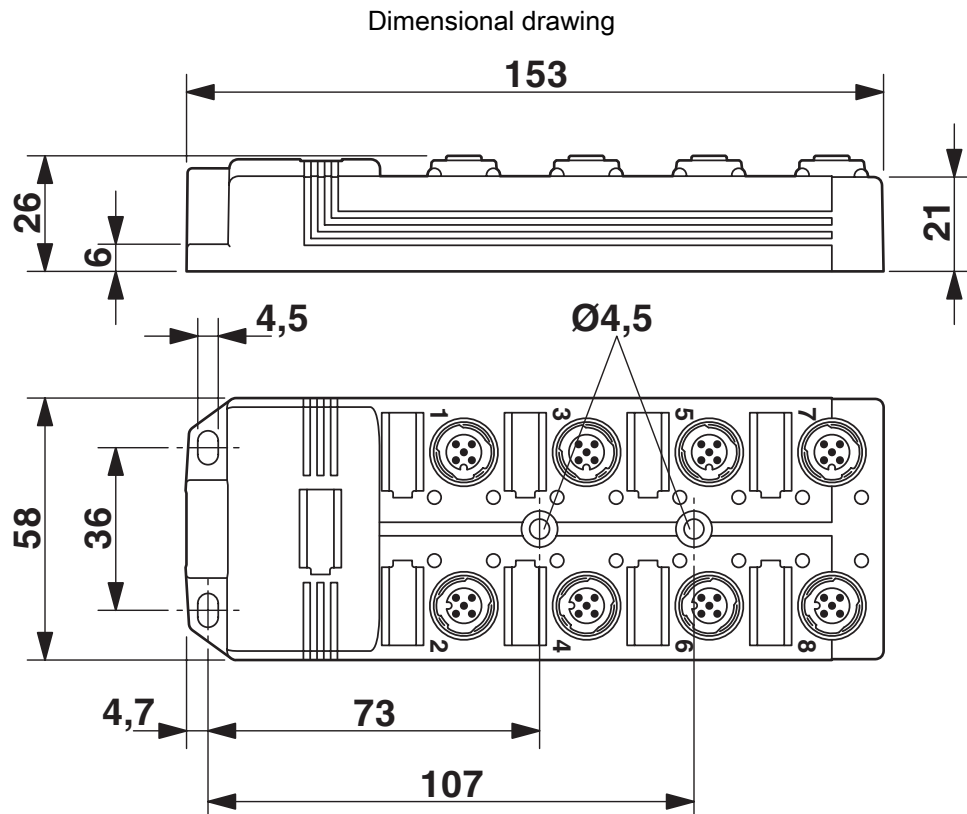
Standard designation	M12 connector
Standards/specifications	IEC 61076-2-101

SACB-8/16-L- 0,2PUR SCO - Distributor box

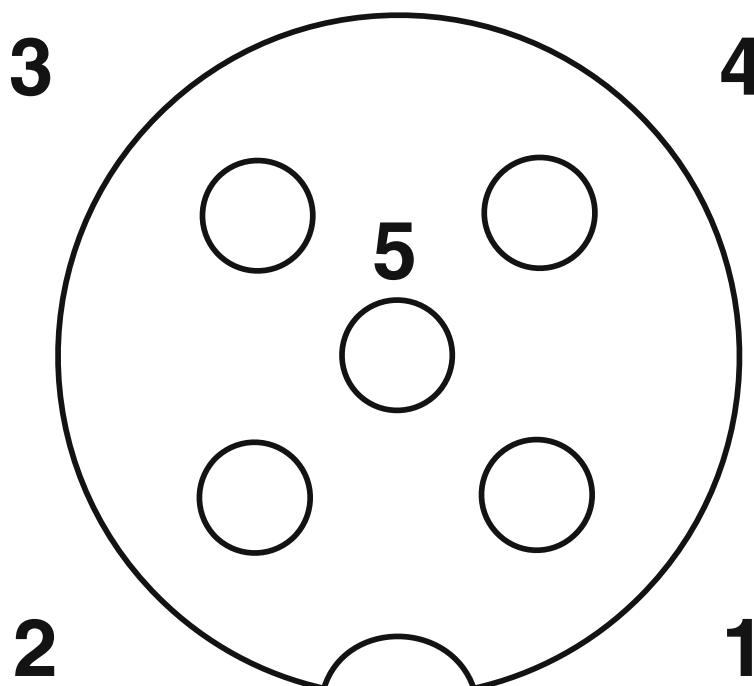
1422308

<https://www.phoenixcontact.com/us/products/1422308>

Drawings



Schematic diagram



M12 slot, socket, 5-pos.

SACB-8/16-L- 0,2PUR SCO - Distributor box



1422308

<https://www.phoenixcontact.com/us/products/1422308>

Classifications

ECLASS

ECLASS-13.0	27440108
ECLASS-15.0	27440108

1422308

<https://www.phoenixcontact.com/us/products/1422308>

Environmental product compliance

EU RoHS

Fulfills EU RoHS substance requirements	Yes
Exemption	7(a), 7(c)-I

China RoHS

Environment friendly use period (EFUP)	EFUP-50
	An article-related China RoHS declaration table can be found in the download area for the respective article under "Manufacturer declaration". For all articles with EFUP-E, no China RoHS declaration table issued and required.

EU REACH SVHC

REACH candidate substance (CAS No.)	Lead(CAS: 7439-92-1)
-------------------------------------	----------------------

Phoenix Contact 2026 © - all rights reserved
<https://www.phoenixcontact.com>

Phoenix Contact USA
586 Fulling Mill Road
Middletown, PA 17057, United States
(+717) 944-1300
info@phoenixcon.com