

# HC-EVO-B24-SHWS-2SSM25-PLRBK - Housing



1421459

<https://www.phoenixcontact.com/us/products/1421459>

Please be informed that the data shown in this PDF document is generated from our online catalog. Please find the complete data in the user documentation. Our general terms of use for downloads are valid.



Surface mounting housing B24, with single locking latch, material: PA 6.6-FR, cable outlets: 2, lateral, 2x M25, height: 84 mm, cable gland: none, Standard, including 2x reducing adapter

## Your advantages

- Lower costs than metal version
- Low weight
- Lower risk of condensation

## Commercial data

Item number	1421459
Packing unit	1 pc
Minimum order quantity	1 pc
Sales key	BF57
Product key	AF7APL
GTIN	4055626265025
Weight per piece (including packing)	246.4 g
Weight per piece (excluding packing)	246.4 g
Customs tariff number	85389099
Country of origin	PL

# HC-EVO-B24-SHWS-2SSM25-PLRBK - Housing



1421459

<https://www.phoenixcontact.com/us/products/1421459>

## Technical data

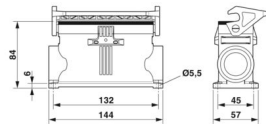
### Notes

General	For contact inserts HC-B16, BB32, D40, DD72, HS6, HV6, M, K, HV06-I-PR, HV 6-E...C
---------	--

### Product properties

Product type	Housing with locking latch
Housing type	Surface mounting housing
Product family	HC-EVO-B
Application	Standard
Type	B24
No. of cable outlets	2
Type of the screw connection	2x M25
Cable outlet	lateral
Pg screw connection	none

### Dimensions

Dimensional drawing	
Width	57 mm
Height	84 mm
Length	144 mm
Hole diameter	5.5 mm

### Material specifications

Flammability rating according to UL 94	V0 (Housing) V0 (Interlock)
Seal material	NBR
Housing material	PA 6.6-FR
Locking latch material	PA

### Mechanical properties

#### Mechanical data

Type of the screw connection	2x M25
Locking type	Latch

### Connection data

Tightening torque	2 Nm ... 3 Nm (for M5 mounting screws on the surface-mount housing)
-------------------	---

1421459

<https://www.phoenixcontact.com/us/products/1421459>

## Mounting

Assembly note	Two plastic reductions M40 to M25 are provided One of the two openings for the screw connections is sealed but can be broken open using a screwdriver.
---------------	---

## Environmental and real-life conditions

### Ambient conditions

Degree of protection	IP66
Enclosure rating (NEMA)	12 (UL 50e)
Impact strength	IK08
Ambient temperature (operation)	-40 °C ... 125 °C

# HC-EVO-B24-SHWS-2SSM25-PLRBK - Housing

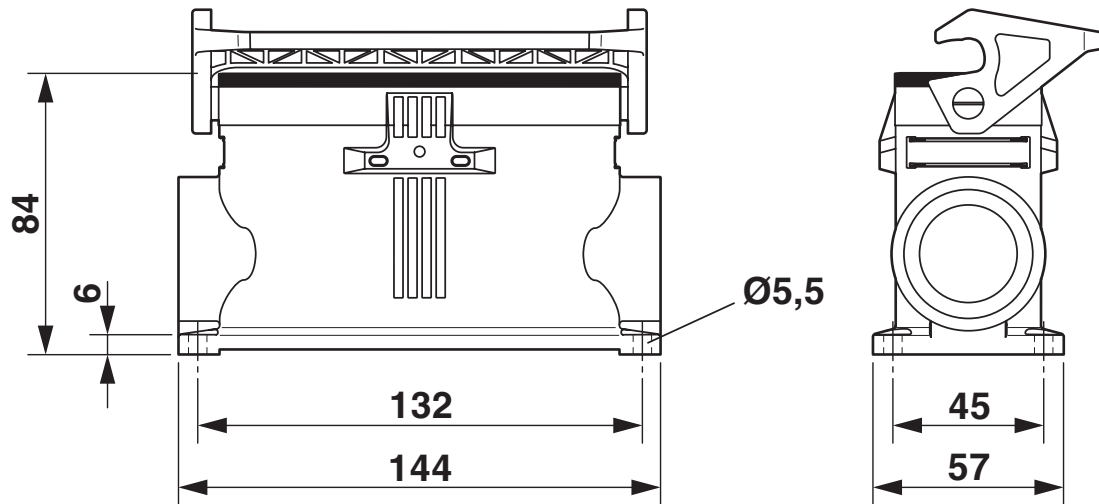


1421459

<https://www.phoenixcontact.com/us/products/1421459>

## Drawings

Dimensional drawing



Dimensional drawing

1421459

<https://www.phoenixcontact.com/us/products/1421459>

## Approvals

To download certificates, visit the product detail page: <https://www.phoenixcontact.com/us/products/1421459>

**DNV**

Approval ID: TAE000037S



**cUL Recognized**

Approval ID: E255026



**UL Recognized**

Approval ID: E255026



**EAC**

Approval ID: RU C-DE.AI30.B.01102

1421459

<https://www.phoenixcontact.com/us/products/1421459>

## Classifications

### ECLASS

ECLASS-13.0	27440202
ECLASS-15.0	27440202

### ETIM

ETIM 10.0	EC000437
-----------	----------

### UNSPSC

UNSPSC 21.0	31261500
-------------	----------

1421459

<https://www.phoenixcontact.com/us/products/1421459>

## Environmental product compliance

### EU RoHS

Fulfills EU RoHS substance requirements	Yes, No exemptions
---	--------------------

### China RoHS

Environment friendly use period (EFUP)	EFUP-E
	No hazardous substances above the limits

### EU REACH SVHC

REACH candidate substance (CAS No.)	No substance above 0.1 wt%
-------------------------------------	----------------------------

### EF3.1 Climate Change

CO2e kg	1.885 kg CO2e
---------	---------------

Phoenix Contact 2026 © - all rights reserved  
<https://www.phoenixcontact.com>

Phoenix Contact USA  
586 Fulling Mill Road  
Middletown, PA 17057, United States  
(+717) 944-1300  
[info@phoenixcon.com](mailto:info@phoenixcon.com)