

HC-EVO-B10-SHFDC-2SSM25-PLRBK - Housing



1421320

<https://www.phoenixcontact.com/us/products/1421320>

Please be informed that the data shown in this PDF document is generated from our online catalog. Please find the complete data in the user documentation. Our general terms of use for downloads are valid.



Surface mounting housing B10, for double locking latch, material: PA 6.6-FR, protective cover material: PC, cable outlets: 2, lateral, 2x M25, height: 74 mm, cable gland: none, protective cover: yes, Standard, including 2x reducing adapter

Your advantages

- Lower costs than metal version
- Low weight
- Lower risk of condensation

Commercial data

| | |
|--------------------------------------|---------------|
| Item number | 1421320 |
| Packing unit | 1 pc |
| Minimum order quantity | 1 pc |
| Sales key | BF57 |
| Product key | AF7APL |
| GTIN | 4055626264837 |
| Weight per piece (including packing) | 174.1 g |
| Weight per piece (excluding packing) | 174.1 g |
| Customs tariff number | 85389099 |
| Country of origin | PL |

1421320

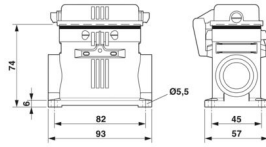
<https://www.phoenixcontact.com/us/products/1421320>

Technical data

Product properties

| | |
|------------------------------|----------------------------|
| Product type | Housing with locking latch |
| Housing type | Surface mounting housing |
| Product family | HC-EVO-B |
| Application | Standard |
| Type | B10 |
| No. of cable outlets | 2 |
| Type of the screw connection | 2x M25 |
| Protective cover | yes |
| Cable outlet | lateral |
| Pg screw connection | none |

Dimensions

| | |
|---------------------|--|
| Dimensional drawing |  |
| Width | 57 mm |
| Height | 74 mm |
| Length | 93 mm |
| Hole diameter | 5.5 mm |

Material specifications

| | |
|--|---------------------------------------|
| Flammability rating according to UL 94 | V0 (Housing) V0 (Protective cover) |
| Seal material | NBR |
| Housing material | PA 6.6-FR |
| Material, protective cover | PC |

Mechanical properties

Mechanical data

| | |
|------------------------------|--------|
| Type of the screw connection | 2x M25 |
| Locking type | Pin |

Connection data

| | |
|-------------------|---|
| Tightening torque | 2 Nm ... 3 Nm (for M5 mounting screws on the surface-mount housing) |
|-------------------|---|

Mounting

| | |
|---------------|--|
| Assembly note | Two plastic reductions M32 to M25 are provided |
|---------------|--|

1421320

<https://www.phoenixcontact.com/us/products/1421320>

| | |
|--|---|
| | One of the two openings for the screw connections is sealed but can be broken open using a screwdriver. |
|--|---|

Environmental and real-life conditions

Ambient conditions

| | |
|---------------------------------|---|
| Degree of protection | IP66 (when plugged in) IP54 (with closed protective cover) |
| Enclosure rating (NEMA) | 12 (UL 50e) |
| Impact strength | IK09 |
| Ambient temperature (operation) | -40 °C ... 125 °C |

HC-EVO-B10-SHFDC-2SSM25-PLRBK - Housing



1421320

<https://www.phoenixcontact.com/us/products/1421320>

Drawings

Dimensional drawing




Dimensional drawing

1421320

<https://www.phoenixcontact.com/us/products/1421320>

Approvals

 To download certificates, visit the product detail page: <https://www.phoenixcontact.com/us/products/1421320>

DNV

Approval ID: TAE000037S



EAC

Approval ID: RU C-DE.AI30.B.01102



cUL Recognized

Approval ID: E255026



UL Recognized

Approval ID: E255026

1421320

<https://www.phoenixcontact.com/us/products/1421320>

Classifications

ECLASS

| | |
|-------------|----------|
| ECLASS-13.0 | 27440202 |
| ECLASS-15.0 | 27440202 |

ETIM

| | |
|-----------|----------|
| ETIM 10.0 | EC000437 |
|-----------|----------|

UNSPSC

| | |
|-------------|----------|
| UNSPSC 21.0 | 31261500 |
|-------------|----------|

1421320

<https://www.phoenixcontact.com/us/products/1421320>

Environmental product compliance

EU RoHS

| | |
|---|--------------------|
| Fulfills EU RoHS substance requirements | Yes, No exemptions |
|---|--------------------|

China RoHS

| | |
|--|--|
| Environment friendly use period (EFUP) | EFUP-E |
| | No hazardous substances above the limits |

EU REACH SVHC

| | |
|-------------------------------------|----------------------------|
| REACH candidate substance (CAS No.) | No substance above 0.1 wt% |
|-------------------------------------|----------------------------|

EF3.1 Climate Change

| | |
|---------|--------------|
| CO2e kg | 1.52 kg CO2e |
|---------|--------------|

Phoenix Contact 2026 © - all rights reserved
<https://www.phoenixcontact.com>

Phoenix Contact USA
586 Fulling Mill Road
Middletown, PA 17057, United States
(+717) 944-1300
info@phoenixcon.com