

NBC-R4AC1/0,3-94G/R4AC1-RD - Patch cable



1421138

<https://www.phoenixcontact.com/us/products/1421138>

Please be informed that the data shown in this PDF document is generated from our online catalog. Please find the complete data in the user documentation. Our general terms of use for downloads are valid.



Patch cable, degree of protection: IP20, cable length: 0.3 m, number of positions: 8, 10 Gbps, CAT6_A, Ethernet

Commercial data

Item number	1421138
Packing unit	1 pc
Minimum order quantity	1 pc
Sales key	AB11
Product key	ABNABM
GTIN	4055626254692
Weight per piece (including packing)	23.9 g
Weight per piece (excluding packing)	23.9 g
Customs tariff number	85444210
Country of origin	PL

1421138

<https://www.phoenixcontact.com/us/products/1421138>

Technical data

Product properties

Product type	Data cable preassembled
Product family	RJ45 BASIC IE8 CAT5
Sensor type	Ethernet
Number of positions	8
Shielded	yes

Signaling

Status display	no
Status display present	no

Electrical properties

Rated voltage (III/3)	72 V (DC)
Nominal voltage U_N	48 V
Nominal current I_N	0.5 A
Transmission medium	Copper
Transmission speed	10 Gbps (500 MHz)
Transmission speed	10 Gbps

Mechanical properties

Mechanical data

Insertion force per signal contact	50.00 N
Extraction force per signal contact	30 N

Material specifications

Outer sheath, material	PUR
------------------------	-----

Connector

Connection 2

Type	Plug straight RJ45
Shielded	yes
Insertion/withdrawal cycles	≥ 750
Degree of protection	IP20

Cable/line

Cable length	0.30 m
Cable structure	2x2xAWG26/7, S/FTP
Outer sheath, material	PUR
External sheath, color	red, similar to RAL 3000
Conductor structure signal line	6.00 mm +0.2 mm -0.1 mm
AWG signal line	26

NBC-R4AC1/0,3-94G/R4AC1-RD - Patch cable



1421138

<https://www.phoenixcontact.com/us/products/1421138>

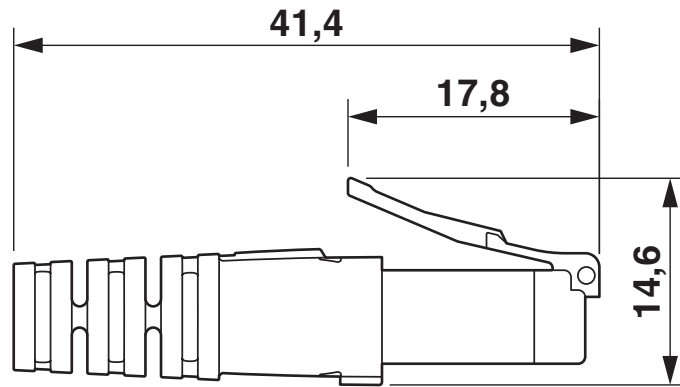
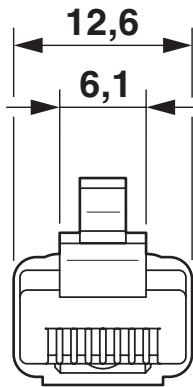
Material wire insulation	PE
Shielding	S/FTP
Test voltage, cable	1000 V DC (1 minute)
Cable insulation resistance	2000 MΩ*km (500 V)
Coupling resistance	30.00 mΩ/m (30 MHz)
Smallest bending radius, fixed installation	50 mm (under load)
Smallest bending radius, movable installation	25 mm (without load)
Flame resistance	IEC 60332-1

Standards and regulations

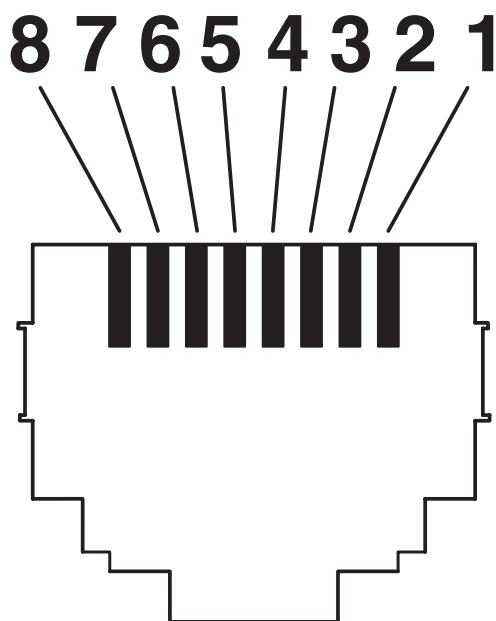
Flame resistance	IEC 60332-1
------------------	-------------

Drawings

Dimensional drawing



Schematic diagram



Connector pin assignment plug RJ45

NBC-R4AC1/0,3-94G/R4AC1-RD - Patch cable



1421138

<https://www.phoenixcontact.com/us/products/1421138>

Approvals

To download certificates, visit the product detail page: <https://www.phoenixcontact.com/us/products/1421138>



EAC

Approval ID: 19060508

NBC-R4AC1/0,3-94G/R4AC1-RD - Patch cable



1421138

<https://www.phoenixcontact.com/us/products/1421138>

Classifications

ECLASS

ECLASS-13.0	27060307
ECLASS-15.0	27060307

ETIM

ETIM 9.0	EC001855
----------	----------

UNSPSC

UNSPSC 21.0	26121600
-------------	----------

NBC-R4AC1/0,3-94G/R4AC1-RD - Patch cable



1421138

<https://www.phoenixcontact.com/us/products/1421138>

Environmental product compliance

EU RoHS

Fulfills EU RoHS substance requirements	Yes, No exemptions
---	--------------------

China RoHS

Environment friendly use period (EFUP)	EFUP-E
	No hazardous substances above the limits

EU REACH SVHC

REACH candidate substance (CAS No.)	No substance above 0.1 wt%
-------------------------------------	----------------------------

Phoenix Contact 2026 © - all rights reserved
<https://www.phoenixcontact.com>

Phoenix Contact USA
586 Fulling Mill Road
Middletown, PA 17057, United States
(+717) 944-1300
info@phoenixcon.com