

# HC-STA-B16-DC-PL - Protective cover



1421102

<https://www.phoenixcontact.com/us/products/1421102>

Please be informed that the data shown in this PDF document is generated from our online catalog. Please find the complete data in the user documentation. Our general terms of use for downloads are valid.

Protective cover, design: B16



## Commercial data

Item number	1421102
Packing unit	5 pc
Minimum order quantity	5 pc
Sales key	BF66
Product key	AF7AZC
GTIN	4055626251820
Weight per piece (including packing)	9.746 g
Weight per piece (excluding packing)	9.746 g
Customs tariff number	85389099
Country of origin	CN

# HC-STA-B16-DC-PL - Protective cover

1421102

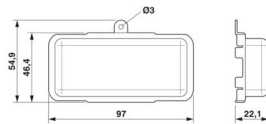
<https://www.phoenixcontact.com/us/products/1421102>

## Technical data

### Product properties

Product type	Protective cover
Housing type	Protective cover
Type	B16
Seal present	no

### Dimensions

Dimensional drawing	
Width	46.4 mm
Height	22.1 mm
Length	97 mm

### Material specifications

Color	transparent
Material Protective cover	PA
Flammability rating according to UL 94	HB

### Environmental and real-life conditions

#### Ambient conditions

Degree of protection	IP20
Ambient temperature (operation)	0 °C ... 20 °C

# HC-STA-B16-DC-PL - Protective cover

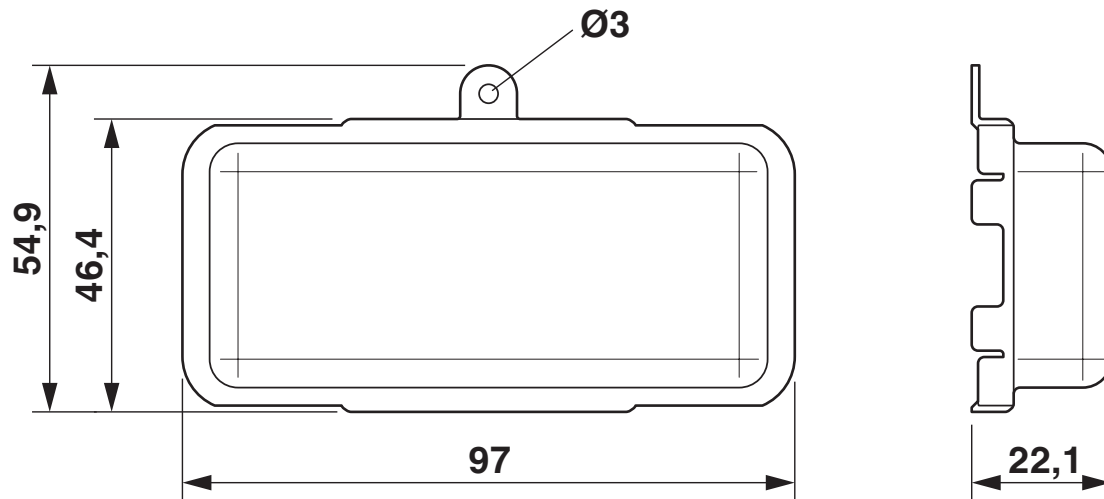
1421102

<https://www.phoenixcontact.com/us/products/1421102>



## Drawings

Dimensional drawing



Dimensional drawing

# HC-STA-B16-DC-PL - Protective cover



1421102

<https://www.phoenixcontact.com/us/products/1421102>

## Approvals

🔗 To download certificates, visit the product detail page: <https://www.phoenixcontact.com/us/products/1421102>

**DNV**

Approval ID: TAE000037S

# HC-STA-B16-DC-PL - Protective cover



1421102

<https://www.phoenixcontact.com/us/products/1421102>

## Classifications

### ECLASS

ECLASS-13.0	27440208
ECLASS-15.0	27440208

### ETIM

ETIM 10.0	EC002314
-----------	----------

### UNSPSC

UNSPSC 21.0	39121400
-------------	----------

# HC-STA-B16-DC-PL - Protective cover



1421102

<https://www.phoenixcontact.com/us/products/1421102>

## Environmental product compliance

### EU RoHS

Fulfills EU RoHS substance requirements	Yes, No exemptions
---	--------------------

### China RoHS

Environment friendly use period (EFUP)	EFUP-E
	No hazardous substances above the limits

### EU REACH SVHC

REACH candidate substance (CAS No.)	No substance above 0.1 wt%
-------------------------------------	----------------------------

Phoenix Contact 2026 © - all rights reserved  
<https://www.phoenixcontact.com>

Phoenix Contact USA  
586 Fulling Mill Road  
Middletown, PA 17057, United States  
(+717) 944-1300  
[info@phoenixcon.com](mailto:info@phoenixcon.com)