

SACC-E-M12MS-3CON-NPT12/1,0 - Panel feed-through



1421079

<https://www.phoenixcontact.com/us/products/1421079>

Please be informed that the data shown in this PDF document is generated from our online catalog. Please find the complete data in the user documentation. Our general terms of use for downloads are valid.



Panel feed-through, 3-position/PVC, Plug, straight, M12, A-coding, on free cable end, Individual wires, cable length: 1 m, 0.34 mm², PVC litz wire

Commercial data

Item number	1421079
Packing unit	1 pc
Minimum order quantity	1 pc
Note	Made to order (non-returnable)
Sales key	BF13
Product key	AF2IBA
GTIN	4055626337388
Weight per piece (including packing)	22.22 g
Weight per piece (excluding packing)	22.22 g
Customs tariff number	85444290
Country of origin	MX

SACC-E-M12MS-3CON-NPT12/1,0 - Panel feed-through



1421079

<https://www.phoenixcontact.com/us/products/1421079>

Technical data

Notes

Notes on operation	The electrical and mechanical data specified assume that the connector pair is correctly locked and mounted. If the connector is unlocked and if there is a danger of contamination, the connector must be sealed using a protective cap > IP54. Influences arising from litz wires, cables or PCB assembly must also be taken into consideration.
--------------------	--

Trade restriction

CE note	The products are offered exclusively for export outside the EU and the European Economic Area.
---------	--

Mounting

Tightening torque	1.12 Nm (Installation-side)
-------------------	-----------------------------

Product properties

Product type	Circular connectors (device side)
Number of positions	3
No. of cable outlets	1
Shielded	no
Coding	A

Insulation characteristics

Overvoltage category	II
Degree of pollution	3

Material specifications

Flammability rating according to UL 94	V0
Housing surface material	die-cast aluminum
Contact material	Cu alloy
Contact surface material	Au
Contact carrier material	PA 6.6
Material for screw connection	Aluminum alloy

Electrical properties

Insulation resistance	$\geq 100 \text{ M}\Omega$
Nominal voltage U_N	300 V
Nominal current I_N	4 A

Connection data

Conductor connection

Connection method	Individual wires
Contact connection type	Pin
Conductor cross-section	0.34 mm ²

SACC-E-M12MS-3CON-NPT12/1,0 - Panel feed-through



1421079

<https://www.phoenixcontact.com/us/products/1421079>

Tightening torque	1.12 Nm (Installation-side)
-------------------	-----------------------------

Mechanical properties

Mechanical data

Insertion/withdrawal cycles	> 500
-----------------------------	-------

Connector

Connection 1

Head design	Plug
Head cable outlet	straight
Head thread type	M12
Coding	A

Connection 2

Head design	free cable end
-------------	----------------

Cable/line

Cable length	1 m
Cable type	PVC litz wire
Cable type	PVC litz wire
Cable structure	3 x 22 AWG
Wire diameter incl. insulation	1.78 mm
Single wire, color	brown, blue, black
Cable cross section	0.34 mm ²
Material, inner sheath	PVC
Conductor structure signal line	7x (30 AWG strand)
AWG signal line	22
Material wire insulation	PVC
Thickness, insulation	0.76 mm

Environmental and real-life conditions

Ambient conditions

Degree of protection	IP68
Ambient temperature (operation) (male connector/female connector)	-20 °C ... 105 °C

Standards and regulations

Standard designation	M12 connector
Standards/specifications	IEC 61076-2-101
Standards/specifications	UL 2238
Note	Suitable for use in Class I, Division 2 Groups A, B, C, D hazardous locations according to ISA standard 12.12.01-2015, section 8.2 and 8.8.3

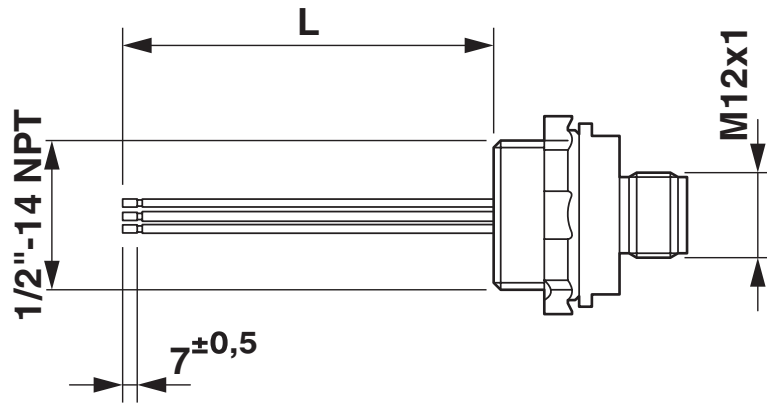
SACC-E-M12MS-3CON-NPT12/1,0 - Panel feed-through

1421079

<https://www.phoenixcontact.com/us/products/1421079>

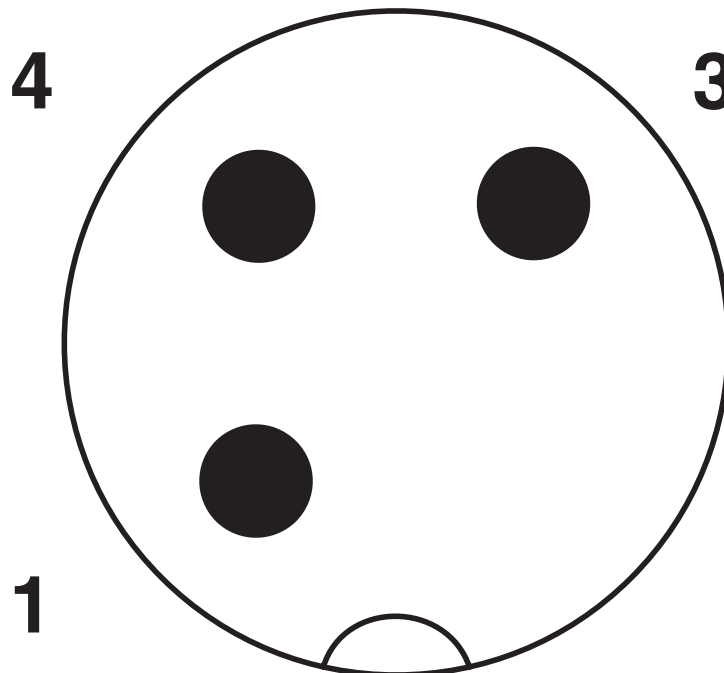
Drawings

Dimensional drawing



M12 flush-type plug

Schematic diagram



Pin assignment M12 plug, 3-pos., A-coded, view plug side

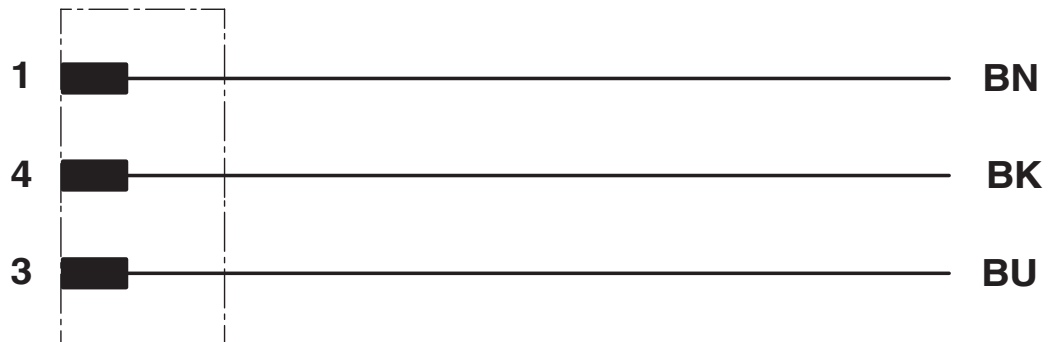
SACC-E-M12MS-3CON-NPT12/1,0 - Panel feed-through



1421079

<https://www.phoenixcontact.com/us/products/1421079>

Circuit diagram



Contact assignment of the M12 plug and the M12 socket

SACC-E-M12MS-3CON-NPT12/1,0 - Panel feed-through



1421079

<https://www.phoenixcontact.com/us/products/1421079>

Approvals

To download certificates, visit the product detail page: <https://www.phoenixcontact.com/us/products/1421079>



UL Listed

Approval ID: FILE E 221474



cUL Listed

Approval ID: FILE E 221474

SACC-E-M12MS-3CON-NPT12/1,0 - Panel feed-through



1421079

<https://www.phoenixcontact.com/us/products/1421079>

Classifications

ECLASS

ECLASS-13.0	27440109
ECLASS-15.0	27440109

ETIM

ETIM 10.0	EC003569
-----------	----------

SACC-E-M12MS-3CON-NPT12/1,0 - Panel feed-through



1421079

<https://www.phoenixcontact.com/us/products/1421079>

Environmental product compliance

EU RoHS

Fulfills EU RoHS substance requirements	Yes, No exemptions
---	--------------------

China RoHS

Environment friendly use period (EFUP)	EFUP-E
	No hazardous substances above the limits

EU REACH SVHC

REACH candidate substance (CAS No.)	No substance above 0.1 wt%
-------------------------------------	----------------------------

Phoenix Contact 2026 © - all rights reserved
<https://www.phoenixcontact.com>

Phoenix Contact USA
586 Fulling Mill Road
Middletown, PA 17057, United States
(+717) 944-1300
info@phoenixcon.com