

# SACC-E-MINF-5CON-NPT12-U30/1,0 - Flush-type connector



1420960

<https://www.phoenixcontact.com/us/products/1420960>

Please be informed that the data shown in this PDF document is generated from our online catalog. Please find the complete data in the user documentation. Our general terms of use for downloads are valid.



Flush-type connector, 5-position, PVC/PVC, gray, Socket, straight, 7/8"-16UNF, on free cable end, Individual wires, cable length: 1 m, 0.25 mm<sup>2</sup>, CANopen®/DeviceNet™, PUR, gray

## Commercial data

Item number	1420960
Packing unit	1 pc
Minimum order quantity	1 pc
Note	Made to order (non-returnable)
Sales key	BF14
Product key	AF2ICA
GTIN	4055626341514
Weight per piece (including packing)	22.22 g
Weight per piece (excluding packing)	22.22 g
Customs tariff number	85444290
Country of origin	MX

# SACC-E-MINF-5CON-NPT12-U30/1,0 - Flush-type connector



1420960

<https://www.phoenixcontact.com/us/products/1420960>

## Technical data

### Mounting

Tightening torque	10 lb <sub>F</sub> -in.
	1.12 Nm

### Product properties

Product type	Circular connectors (device side)
Number of positions	5
No. of cable outlets	1
Shielded	yes

### Insulation characteristics

Overvoltage category	UL 2238 Section 38
Degree of pollution	3

### Material specifications

Flammability rating according to UL 94	V-0
Housing surface material	Al anodized
Contact material	Copper alloy
Contact surface material	Au
Contact carrier material	PVC
Material for screw connection	Anodized aluminum
Outer sheath, material	PVC

### Electrical properties

Insulation resistance	≥ 100 MΩ
Nominal voltage U <sub>N</sub>	300 V AC/DC (UL rating)
	50 V AC/DC (IEC rating)
Nominal current I <sub>N</sub>	4 A

### Connection data

#### Conductor connection

Connection method	Individual wires
Contact connection type	Socket
Conductor cross-section	0.25 mm <sup>2</sup> (2 x AWG 24 data cable)
Tightening torque	10 lb <sub>F</sub> -in.
	1.12 Nm

### Mechanical properties

#### Mechanical data

Insertion/withdrawal cycles	> 500
-----------------------------	-------

# SACC-E-MINF-5CON-NPT12-U30/1,0 - Flush-type connector



1420960

<https://www.phoenixcontact.com/us/products/1420960>

## Connector

### Connection 1

Head design	Socket
Head cable outlet	straight
Head thread type	7/8"-16UNF

### Connection 2

Head design	free cable end
-------------	----------------

## Cable/line

Cable length	1 m
Cable type	CANopen®/DeviceNet™, PUR, gray
Cable abbreviation	U30
Cable structure	2xAWG24+2xAWG22+1xAWG22
Outer sheath, material	PVC
External sheath, color	gray
Wire diameter incl. insulation	6.6 mm
Single wire, color	red-black, blue-white
Cable cross section	0.25 mm <sup>2</sup> (2 x AWG 24 data cable) 0.34 mm <sup>2</sup> (2 x AWG 22 power supply) 0.34 mm <sup>2</sup> (1 x AWG 22 drain wire)
Material, inner sheath	PVC
Conductor structure signal line	19 x AWG 36
AWG signal line	24
Conductor structure, voltage supply	19 x AWG 34
AWG power supply	22
Material wire insulation	PVC (Power supply) Foamed PE (Data)
Twisted pairs	2 cores to the pair
Type of pair shielding	Plastic-coated aluminum foil, aluminum side outside
Overall twist	2 pairs and one drain wire to the core
Optical shield covering	65 %

## Environmental and real-life conditions

### Ambient conditions

Degree of protection	IP68 IP68
Ambient temperature (operation) (male connector/female connector)	-20 °C ... 80 °C (Plug)
Ambient temperature (operation)	-20 °C ... 80 °C (cable, fixed installation)

## Standards and regulations

Standard designation	7/8" connector
----------------------	----------------

# SACC-E-MINF-5CON-NPT12-U30/1,0 - Flush-type connector



1420960

<https://www.phoenixcontact.com/us/products/1420960>

Standards/specifications	UL 2238
Note	Suitable for use in Class I, Division 2 Groups A, B, C, D hazardous locations according to ISA standard 12.12.01-2015, section 8.2 and 8.8.3

# SACC-E-MINF-5CON-NPT12-U30/1,0 - Flush-type connector

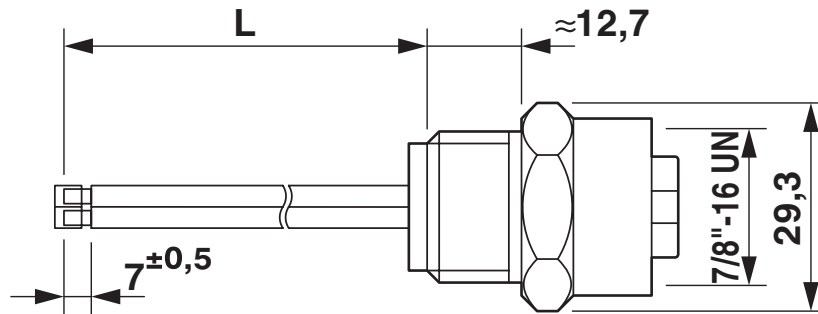


1420960

<https://www.phoenixcontact.com/us/products/1420960>

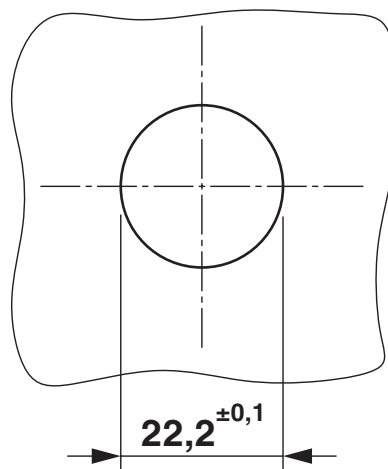
## Drawings

Dimensional drawing



7/8" flush-type socket

Dimensional drawing



Housing cutout

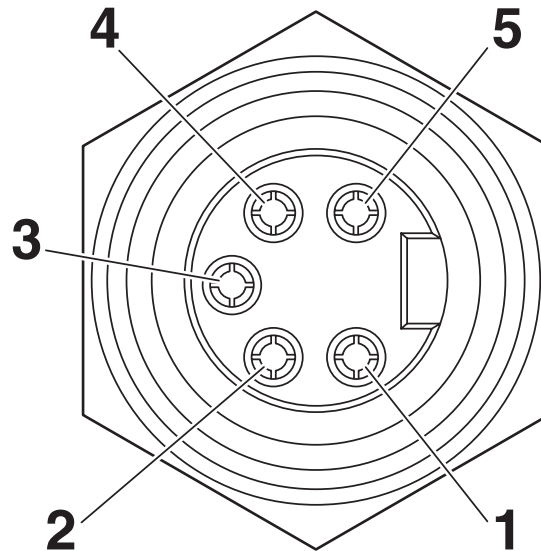
# SACC-E-MINF-5CON-NPT12-U30/1,0 - Flush-type connector



1420960

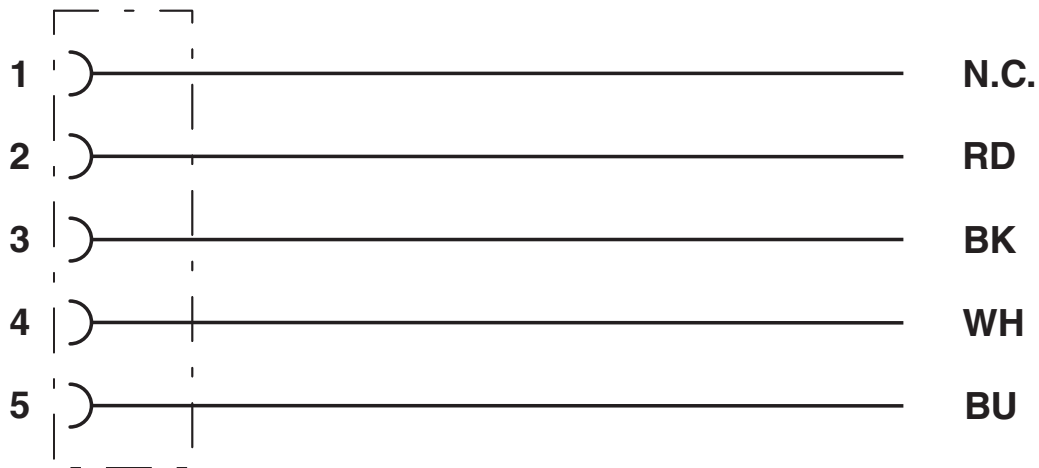
<https://www.phoenixcontact.com/us/products/1420960>

Schematic diagram



Pin assignment, socket, 7/8"-16UNF, 5-pos., view of female side (reference image)

Circuit diagram



Contact assignment of 7/8" socket

# SACC-E-MINF-5CON-NPT12-U30/1,0 - Flush-type connector



1420960

<https://www.phoenixcontact.com/us/products/1420960>

## Approvals

To download certificates, visit the product detail page: <https://www.phoenixcontact.com/us/products/1420960>



**UL Listed**

Approval ID: FILE E 221474



**cUL Listed**

Approval ID: FILE E 221474

# SACC-E-MINF-5CON-NPT12-U30/1,0 - Flush-type connector



1420960

<https://www.phoenixcontact.com/us/products/1420960>

## Classifications

### ECLASS

ECLASS-13.0	27440109
ECLASS-15.0	27440109

### ETIM

ETIM 10.0	EC003569
-----------	----------

### UNSPSC

UNSPSC 21.0	39121413
-------------	----------

# SACC-E-MINF-5CON-NPT12-U30/1,0 - Flush-type connector



1420960

<https://www.phoenixcontact.com/us/products/1420960>

## Environmental product compliance

### China RoHS

Environment friendly use period (EFUP)	EFUP-50 An article-related China RoHS declaration table can be found in the download area for the respective article under "Manufacturer declaration". For all articles with EFUP-E, no China RoHS declaration table issued and required.
--	--

### EU REACH SVHC

REACH candidate substance (CAS No.)	No substance above 0.1 wt%
-------------------------------------	----------------------------

Phoenix Contact 2026 © - all rights reserved  
<https://www.phoenixcontact.com>

Phoenix Contact USA  
586 Fulling Mill Road  
Middletown, PA 17057, United States  
(+717) 944-1300  
[info@phoenixcon.com](mailto:info@phoenixcon.com)