

# HC-ADV-B24-HLWH-1STM25-MF-BK - Housing



1420928

<https://www.phoenixcontact.com/us/products/1420928>

Please be informed that the data shown in this PDF document is generated from our online catalog. Please find the complete data in the user documentation. Our general terms of use for downloads are valid.



Sleeve housing B24, with screw locking, material: Die-cast aluminum, salt water resistant, cable outlets: 1, lateral, 1x M25, height: 74 mm, cable gland: none, increased environmental requirements

## Commercial data

|                                      |               |
|--------------------------------------|---------------|
| Item number                          | 1420928       |
| Packing unit                         | 1 pc          |
| Minimum order quantity               | 1 pc          |
| Sales key                            | BF58          |
| Product key                          | AF7API        |
| GTIN                                 | 4055626249278 |
| Weight per piece (including packing) | 337.4 g       |
| Weight per piece (excluding packing) | 337 g         |
| Customs tariff number                | 85389099      |
| Country of origin                    | CN            |

1420928

<https://www.phoenixcontact.com/us/products/1420928>

## Technical data

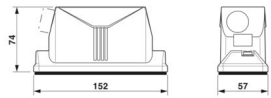
### Product properties

|                              |                                      |
|------------------------------|--------------------------------------|
| Product type                 | Housing with screw locking           |
| Housing type                 | Sleeve housing                       |
| Product family               | HC-ADV                               |
| Application                  | increased environmental requirements |
| Type                         | B24                                  |
| No. of cable outlets         | 1                                    |
| Type of the screw connection | 1x M25                               |
| Fixing screws                | M6 (screw head: 5 mm Allen screw)    |
| Shielded                     | no                                   |
| Cable outlet                 | lateral                              |
| Pg screw connection          | none                                 |

### Connection data

|                   |  |
|-------------------|--|
| Tightening torque | 3 Nm ... 5 Nm (for M6 mounting screws on the sleeve housing) |
|-------------------|--|

### Dimensions

|                     |  |
|---------------------|--|
| Dimensional drawing |  |
| Width               | 57 mm  |
| Height              | 74 mm  |
| Length              | 152 mm   |

### Installation dimensions

|                               |        |
|-------------------------------|--------|
| Width of the assembly cutout  | 35 mm  |
| Length of the assembly cutout | 112 mm |

### Material specifications

|                          |   |
|--------------------------|---|
| Seal material            | Viton                                   |
| Housing material         | Die-cast aluminum, salt water resistant |
| Housing surface material | Powder-coated, black                    |
| Locking latch material   | Stainless steel                         |

### Environmental and real-life conditions

#### Ambient conditions

|                      |                          |
|----------------------|--------------------------|
| Degree of protection | IP66                     |
|                      | IP68 (0.2 bar/24 h)      |
|                      | IP69 (ISO 20653:2013-02) |

# HC-ADV-B24-HLWH-1STM25-MF-BK - Housing



1420928

<https://www.phoenixcontact.com/us/products/1420928>

|                                 |                   |
|---------------------------------|-------------------|
| Enclosure rating (NEMA)         | 4 (UL 50e)        |
|                                 | 4X (UL 50e)       |
|                                 | 12 (UL 50e)       |
| Impact strength                 | IK09              |
| Ambient temperature (operation) | -40 °C ... 125 °C |

## Mechanical properties

### Mechanical data

|                              |        |
|------------------------------|--------|
| Type of the screw connection | 1x M25 |
| Locking type                 | Screw  |

## Mounting

|               |                                   |
|---------------|-----------------------------------|
| Fixing screws | M6 (screw head: 5 mm Allen screw) |
|---------------|-----------------------------------|

# HC-ADV-B24-HLWH-1STM25-MF-BK - Housing

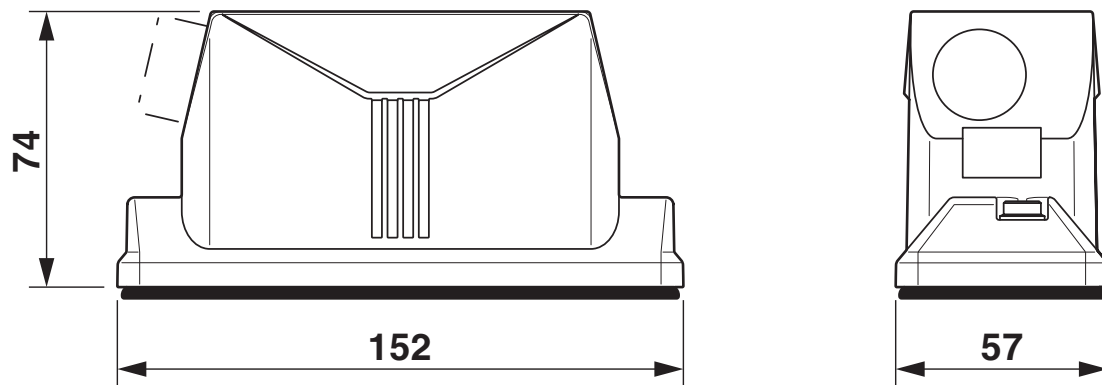


1420928

<https://www.phoenixcontact.com/us/products/1420928>

## Drawings

Dimensional drawing



Dimensional drawing

Dimensional drawing



### Mounting cutout

1) when M4 screws are used

2) when self-tapping Torx® screws are used (Torx® 20, M4)

1420928

<https://www.phoenixcontact.com/us/products/1420928>

## Approvals

To download certificates, visit the product detail page: <https://www.phoenixcontact.com/us/products/1420928>

**DNV**

Approval ID: TAE000037S



**cUL Recognized**

Approval ID: E255026



**UL Recognized**

Approval ID: E255026



**EAC**

Approval ID: RU C-DE.AI30.B.01102

1420928

<https://www.phoenixcontact.com/us/products/1420928>

## Classifications

### ECLASS

|             |          |
|-------------|----------|
| ECLASS-15.0 | 27440202 |
| ECLASS-13.0 | 27440202 |

### ETIM

|           |          |
|-----------|----------|
| ETIM 10.0 | EC000437 |
|-----------|----------|

### UNSPSC

|             |          |
|-------------|----------|
| UNSPSC 21.0 | 31261500 |
|-------------|----------|

# HC-ADV-B24-HLWH-1STM25-MF-BK - Housing



1420928

<https://www.phoenixcontact.com/us/products/1420928>

## Environmental product compliance

### EU RoHS

|   |                    |
|---|--------------------|
| Fulfills EU RoHS substance requirements | Yes, No exemptions |
|---|--------------------|

### China RoHS

|  |  |
|--|--|
| Environment friendly use period (EFUP) | EFUP-E                                   |
|  | No hazardous substances above the limits |

### EU REACH SVHC

|                                     |                            |
|-------------------------------------|----------------------------|
| REACH candidate substance (CAS No.) | No substance above 0.1 wt% |
|-------------------------------------|----------------------------|

Phoenix Contact 2026 © - all rights reserved  
<https://www.phoenixcontact.com>

Phoenix Contact USA  
586 Fulling Mill Road  
Middletown, PA 17057, United States  
(+717) 944-1300  
[info@phoenixcon.com](mailto:info@phoenixcon.com)