

HC-M-ADP-EMC - Adapter

1420486

<https://www.phoenixcontact.com/us/products/1420486>

Please be informed that the data shown in this PDF document is generated from our online catalog. Please find the complete data in the user documentation. Our general terms of use for downloads are valid.



Adapter, application: Shield adapters

Commercial data

Item number	1420486
Packing unit	1 pc
Minimum order quantity	1 pc
Sales key	BF62
Product key	AF7ACZ
GTIN	4055626225272
Weight per piece (including packing)	20.3 g
Weight per piece (excluding packing)	20.7 g
Customs tariff number	85389099
Country of origin	AT

HC-M-ADP-EMC - Adapter

1420486

<https://www.phoenixcontact.com/us/products/1420486>



Technical data

Product properties

Product type	Adapter
Application	Shield adapters

Environmental and real-life conditions

Ambient conditions

Ambient temperature (operation)	-40 °C ... 85 °C
---------------------------------	------------------

HC-M-ADP-EMC - Adapter

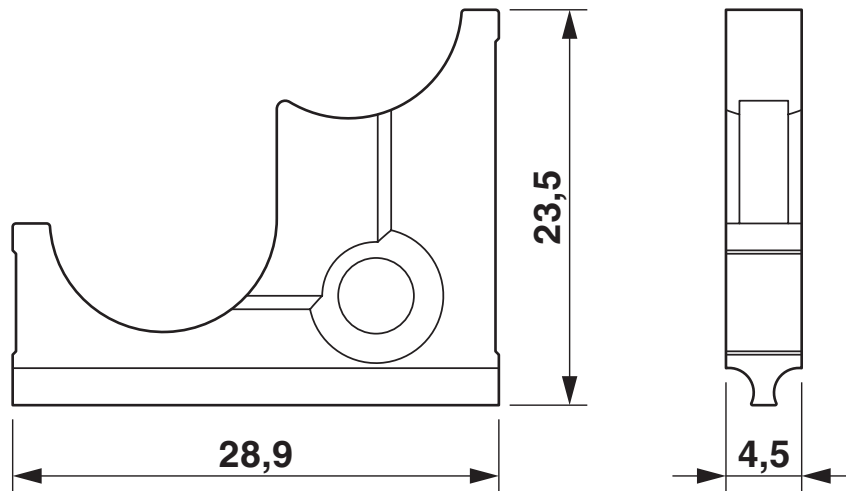
1420486

<https://www.phoenixcontact.com/us/products/1420486>



Drawings

Dimensional drawing



Dimensional drawing

HC-M-ADP-EMC - Adapter



1420486

<https://www.phoenixcontact.com/us/products/1420486>

Classifications

ECLASS

ECLASS-13.0	27440192
ECLASS-15.0	27440192

ETIM

ETIM 10.0	EC002943
-----------	----------

UNSPSC

UNSPSC 21.0	39121400
-------------	----------

HC-M-ADP-EMC - Adapter



1420486

<https://www.phoenixcontact.com/us/products/1420486>

Environmental product compliance

EU RoHS

Fulfills EU RoHS substance requirements	Yes, No exemptions
---	--------------------

China RoHS

Environment friendly use period (EFUP)	EFUP-E
	No hazardous substances above the limits

EU REACH SVHC

REACH candidate substance (CAS No.)	No substance above 0.1 wt%
-------------------------------------	----------------------------

Phoenix Contact 2026 © - all rights reserved
<https://www.phoenixcontact.com>

Phoenix Contact USA
586 Fulling Mill Road
Middletown, PA 17057, United States
(+717) 944-1300
info@phoenixcon.com