

# VS-FSDB-IP20SDA/981/2,0 SCO - Patch cable



1420171

<https://www.phoenixcontact.com/us/products/1420171>

Please be informed that the data shown in this PDF document is generated from our online catalog. Please find the complete data in the user documentation. Our general terms of use for downloads are valid.



Assembled USB cable, shielded, color: black, PVC outer sheath, USB mini-B/IP20 on USB type A/IP20, length: 2 m

## Commercial data

|                                      |               |
|--------------------------------------|---------------|
| Item number                          | 1420171       |
| Packing unit                         | 1 pc          |
| Minimum order quantity               | 1 pc          |
| Sales key                            | BF04          |
| Product key                          | AF1CPA        |
| GTIN                                 | 4046356548601 |
| Weight per piece (including packing) | 110.4 g       |
| Weight per piece (excluding packing) | 108 g         |
| Customs tariff number                | 85444290      |
| Country of origin                    | PL            |

1420171

<https://www.phoenixcontact.com/us/products/1420171>

## Technical data

### Notes

#### Trade restriction

|         |  |
|---------|--|
| CE note | The products are offered exclusively for export outside the EU and the European Economic Area. |
|---------|--|

### Product properties

|                     |                         |
|---------------------|-------------------------|
| Product type        | Data cable preassembled |
| Application         | Standard                |
| Number of positions | 4                       |
| Shielded            | yes                     |

### Electrical properties

|   |         |
|---|---------|
| Nominal voltage $U_N$                   | 48 V AC |
|   | 60 V DC |
| Nominal current $I_N$                   | 1 A     |
| Transmission medium                     | Copper  |
| Transmission characteristics (category) | USB 2.0 |

### Mechanical properties

#### Mechanical data

|                             |            |
|-----------------------------|------------|
| Insertion/withdrawal cycles | $\geq 100$ |
|-----------------------------|------------|

### Material specifications

|  |    |
|--|----|
| Flammability rating according to UL 94 | V0 |
|--|----|

### Connection data

#### Connection assignment

|   |  |
|---|--|
| Contact   Color (signal designation)   Contact (optional) | 1 (M12 mini B)   RD (+5 V)   1 (USB type A)  |
|   | 2 (M12 mini B)   WH (DATA-)   2 (USB type A) |
|   | 3 (M12 mini B)   GN (DATA+)   3 (USB type A) |
|   | 4 (M12 mini B)   N.C.                        |
|   | 5 (M12 mini B)   BK (GND)   4 (USB type A)   |

### Connector

#### Connection 1

|                      |                                 |
|----------------------|---------------------------------|
| Type                 | Plug straight USB type A / IP20 |
| Degree of protection | IP20                            |

#### Connection 2

|          |                                   |
|----------|-----------------------------------|
| Type     | Socket straight M12 mini B / IP65 |
| Material | Cu alloy                          |

# VS-FSDB-IP20SDA/981/2,0 SCO - Patch cable



1420171

<https://www.phoenixcontact.com/us/products/1420171>

|                      |       |
|----------------------|-------|
|                      | Ni/Au |
| Degree of protection | IP65  |

## Cable/line

|                                 |   |
|---------------------------------|---|
| Cable length                    | 2 m   |
| External sheath, color          | black   |
| Ambient temperature (operation) | -25 °C ... 80 °C (Cable, flexible installation) |

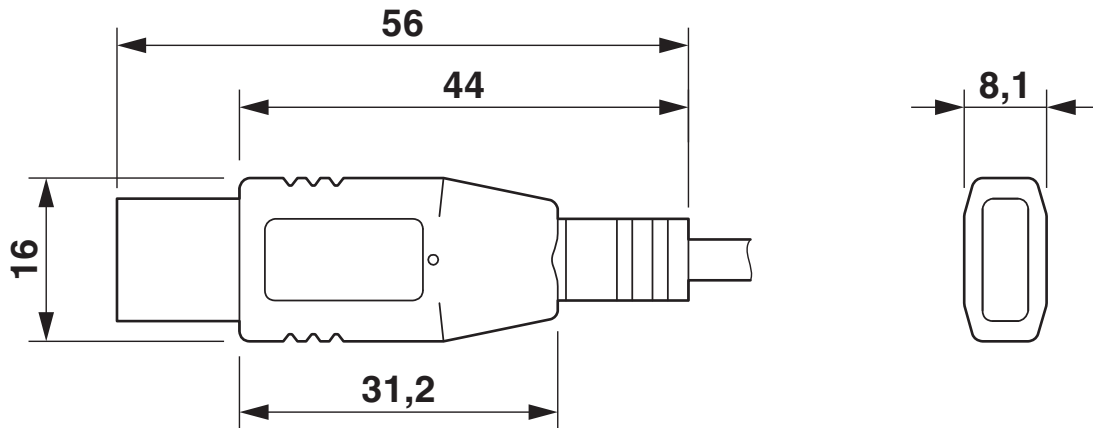
# VS-FSDB-IP20SDA/981/2,0 SCO - Patch cable

1420171

<https://www.phoenixcontact.com/us/products/1420171>

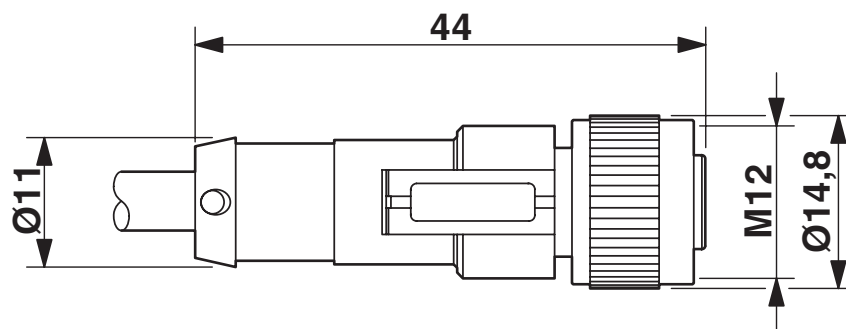
## Drawings

Dimensional drawing



USB connector, type A, Standard

Dimensional drawing



Mini USB, M12 x 1 socket, straight

# VS-FSDB-IP20SDA/981/2,0 SCO - Patch cable

1420171

<https://www.phoenixcontact.com/us/products/1420171>



Schematic diagram



Pin assignment plug USB, mini B

# VS-FSDB-IP20SDA/981/2,0 SCO - Patch cable



1420171

<https://www.phoenixcontact.com/us/products/1420171>

## Approvals

To download certificates, visit the product detail page: <https://www.phoenixcontact.com/us/products/1420171>



**EAC-RoHS**

Approval ID: RU D-DE.HB35.B.00387

# VS-FSDB-IP20SDA/981/2,0 SCO - Patch cable



1420171

<https://www.phoenixcontact.com/us/products/1420171>

## Classifications

### ECLASS

|             |          |
|-------------|----------|
| ECLASS-13.0 | 27060307 |
| ECLASS-15.0 | 27060307 |

### UNSPSC

|             |          |
|-------------|----------|
| UNSPSC 21.0 | 26121600 |
|-------------|----------|

# VS-FSDB-IP20SDA/981/2,0 SCO - Patch cable



1420171

<https://www.phoenixcontact.com/us/products/1420171>

## Environmental product compliance

### EU RoHS

|   |                    |
|---|--------------------|
| Fulfills EU RoHS substance requirements | Yes, No exemptions |
|---|--------------------|

### China RoHS

|  |  |
|--|--|
| Environment friendly use period (EFUP) | EFUP-E                                   |
|  | No hazardous substances above the limits |

### EU REACH SVHC

|                                     |                            |
|-------------------------------------|----------------------------|
| REACH candidate substance (CAS No.) | No substance above 0.1 wt% |
|-------------------------------------|----------------------------|

Phoenix Contact 2026 © - all rights reserved  
<https://www.phoenixcontact.com>

Phoenix Contact USA  
586 Fulling Mill Road  
Middletown, PA 17057, United States  
(+717) 944-1300  
[info@phoenixcon.com](mailto:info@phoenixcon.com)