

# HC-M-RJ45-08-GC-F/F - Contact insert module



1419886

<https://www.phoenixcontact.com/us/products/1419886>

Please be informed that the data shown in this PDF document is generated from our online catalog. Please find the complete data in the user documentation. Our general terms of use for downloads are valid.



Product photo

Contact insert module, number of positions: RJ45, type : RJ45, Socket, 48 V, 1 A, application: Data, Gender changer

## Commercial data

Item number	1419886
Packing unit	1 pc
Minimum order quantity	1 pc
Sales key	BF62
Product key	AF7ACE
GTIN	4055626253244
Weight per piece (including packing)	27.2 g
Weight per piece (excluding packing)	9 g
Customs tariff number	85366990
Country of origin	PL

# HC-M-RJ45-08-GC-F/F - Contact insert module



1419886

<https://www.phoenixcontact.com/us/products/1419886>

## Technical data

### Mounting

Assembly note	To ensure correct use, installation in housing with IP54 protection or better is required
	<b>IMPORTANT:</b> Patch cables with a protector over the locking mechanism must be pretreated for use in this module. The protector over the locking mechanism must be extensively removed using a diagonal cutter so that the patch cable can be inserted without a collision with the neighboring module.

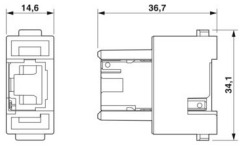
### Product properties

Product type	Modular contact insert
Series	HC-M-RJ45
Application	Data
Number of positions	8
Connection profile	RJ45
Contact numbering	1 - 8
Number of module slots	1

### Insulation characteristics

Overvoltage category	III
Degree of pollution	3

### Dimensions

Dimensional drawing	
Width	34.2 mm
Height	36.7 mm
Length	14.6 mm

### Mechanical characteristics

Minimum housing height	72 mm
------------------------	-------

### Electrical properties

Rated voltage (III/3)	48 V
Rated surge voltage	0.8 kV
Rated current	1 A
Transmission characteristics (category)	CAT6 <sub>A</sub> (IEC 60512-27-100:2008, TIA-568-C.2:2009)

### Mechanical properties

#### Mechanical data

# HC-M-RJ45-08-GC-F/F - Contact insert module



1419886

<https://www.phoenixcontact.com/us/products/1419886>

Insertion/withdrawal cycles	≥ 500
-----------------------------	-------

## Material specifications

Flammability rating according to UL 94	V0
Contact material	Copper alloy
Contact surface material	Au
Contact carrier material	PC
Standards/regulations	PC

## Environmental and real-life conditions

### Ambient conditions

Ambient temperature (operation)	-40 °C ... 70 °C
---------------------------------	------------------

## Standards and regulations

### Testing

Standards/regulations	PC: Fire protection in rail vehicles - requirement sets R22, R23, and R24 acc. to DIN EN 45545-2 (Risk level HL1 - HL3)
-----------------------	---

# HC-M-RJ45-08-GC-F/F - Contact insert module

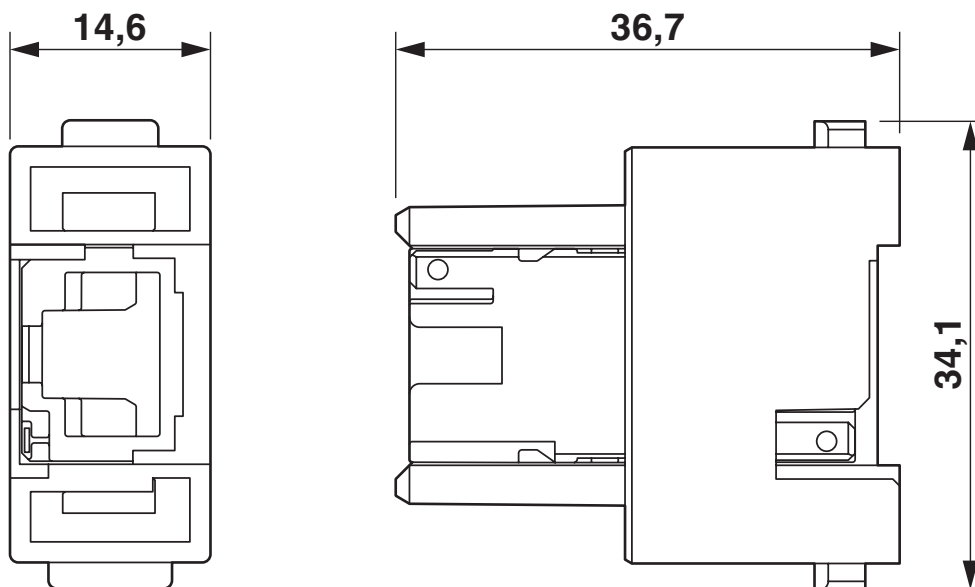


1419886

<https://www.phoenixcontact.com/us/products/1419886>

## Drawings

Dimensional drawing



Female insert

# HC-M-RJ45-08-GC-F/F - Contact insert module



1419886

<https://www.phoenixcontact.com/us/products/1419886>

## Approvals

To download certificates, visit the product detail page: <https://www.phoenixcontact.com/us/products/1419886>

**DNV**

Approval ID: TAE000037S



**CSA**

Approval ID: 158887



**UL Recognized**

Approval ID: E118976

# HC-M-RJ45-08-GC-F/F - Contact insert module



1419886

<https://www.phoenixcontact.com/us/products/1419886>

## Classifications

### ECLASS

ECLASS-13.0	27440218
ECLASS-15.0	27440218

### ETIM

ETIM 10.0	EC000438
-----------	----------

### UNSPSC

UNSPSC 21.0	39121400
-------------	----------

# HC-M-RJ45-08-GC-F/F - Contact insert module



1419886

<https://www.phoenixcontact.com/us/products/1419886>

## Environmental product compliance

### EU RoHS

Fulfills EU RoHS substance requirements	Yes, No exemptions
---	--------------------

### China RoHS

Environment friendly use period (EFUP)	EFUP-E
	No hazardous substances above the limits

### EU REACH SVHC

REACH candidate substance (CAS No.)	No substance above 0.1 wt%
-------------------------------------	----------------------------

### EF3.1 Climate Change

CO2e kg	1.328 kg CO2e
---------	---------------

Phoenix Contact 2026 © - all rights reserved  
<https://www.phoenixcontact.com>

Phoenix Contact USA  
586 Fulling Mill Road  
Middletown, PA 17057, United States  
(+717) 944-1300  
[info@phoenixcon.com](mailto:info@phoenixcon.com)