

HC-M-RJ45-AD-PC-M - Contact insert module



1419885

<https://www.phoenixcontact.com/us/products/1419885>

Please be informed that the data shown in this PDF document is generated from our online catalog. Please find the complete data in the user documentation. Our general terms of use for downloads are valid.



Contact insert module, adapter for patch cables, the matching patch cables can be found in the accessories list

Commercial data

Item number	1419885
Packing unit	1 pc
Minimum order quantity	1 pc
Sales key	BF62
Product key	AF7ACE
GTIN	4055626253237
Weight per piece (including packing)	12.72 g
Weight per piece (excluding packing)	12.72 g
Customs tariff number	85389099
Country of origin	PL

HC-M-RJ45-AD-PC-M - Contact insert module



1419885

<https://www.phoenixcontact.com/us/products/1419885>

Technical data

Mounting

Assembly note	To ensure correct use, installation in housing with IP54 protection or better is required
	IMPORTANT: Patch cables with a protector over the locking mechanism must be pretreated for use in this module. The protector over the locking mechanism must be extensively removed using a diagonal cutter so that the patch cable can be inserted without a collision with the neighboring module.

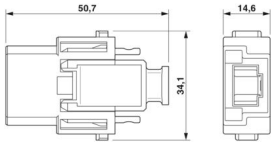
Product properties

Product type	Modular contact insert
Series	HC-M-RJ45
Application	Data
Number of positions	8
Connection profile	RJ45
Contact numbering	1 - 8
Number of module slots	1

Insulation characteristics

Overvoltage category	III
Degree of pollution	3

Dimensions

Dimensional drawing	
Width	34.2 mm
Height	50.7 mm
Length	14.6 mm

Mechanical characteristics

Minimum housing height	72 mm
------------------------	-------

Electrical properties

Rated voltage (III/3)	48 V
Rated surge voltage	0.8 kV
Rated current	1 A
Transmission characteristics (category)	CAT6

Mechanical properties

Mechanical data

HC-M-RJ45-AD-PC-M - Contact insert module



1419885

<https://www.phoenixcontact.com/us/products/1419885>

Insertion/withdrawal cycles	≥ 500
-----------------------------	-------

Material specifications

Flammability rating according to UL 94	V0
Contact carrier material	PC
Standards/regulations	PC

Environmental and real-life conditions

Ambient conditions

Ambient temperature (operation)	-25 °C ... 60 °C
---------------------------------	------------------

Standards and regulations

Testing

Standards/regulations	PC: Fire protection in rail vehicles - requirement sets R22, R23, and R24 acc. to DIN EN 45545-2 (Risk level HL1 - HL3)
-----------------------	---

HC-M-RJ45-AD-PC-M - Contact insert module

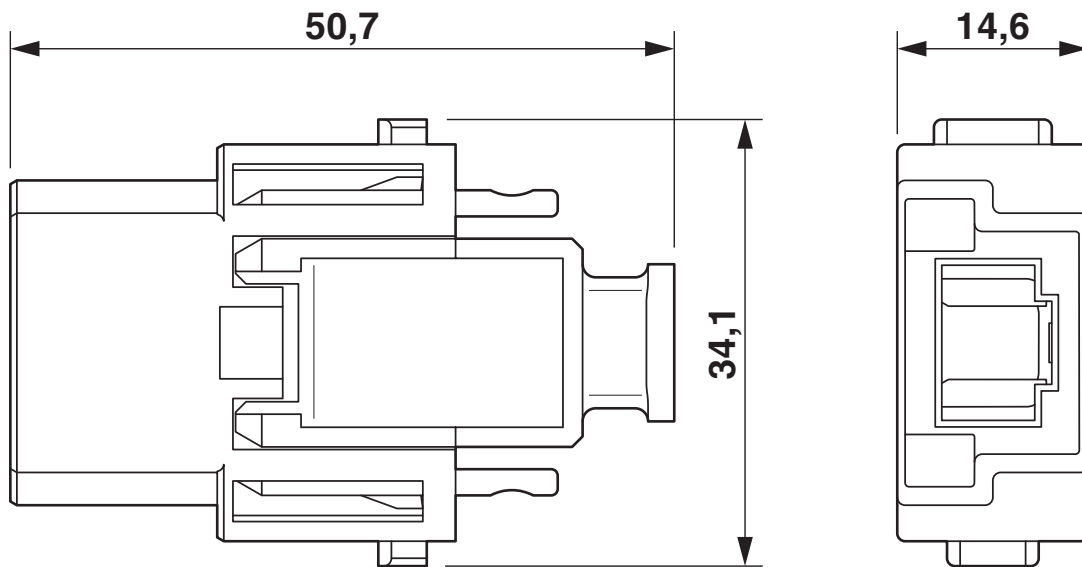


1419885

<https://www.phoenixcontact.com/us/products/1419885>

Drawings

Dimensional drawing



Male insert

HC-M-RJ45-AD-PC-M - Contact insert module



1419885

<https://www.phoenixcontact.com/us/products/1419885>

Approvals

To download certificates, visit the product detail page: <https://www.phoenixcontact.com/us/products/1419885>

DNV

Approval ID: TAE000037S



CSA

Approval ID: 158887



UL Recognized

Approval ID: E118976

HC-M-RJ45-AD-PC-M - Contact insert module



1419885

<https://www.phoenixcontact.com/us/products/1419885>

Classifications

ECLASS

ECLASS-13.0	27440218
ECLASS-15.0	27440207

ETIM

ETIM 10.0	EC002943
-----------	----------

UNSPSC

UNSPSC 21.0	39121400
-------------	----------

HC-M-RJ45-AD-PC-M - Contact insert module



1419885

<https://www.phoenixcontact.com/us/products/1419885>

Environmental product compliance

EU RoHS

Fulfills EU RoHS substance requirements	Yes, No exemptions
---	--------------------

China RoHS

Environment friendly use period (EFUP)	EFUP-E
	No hazardous substances above the limits

EU REACH SVHC

REACH candidate substance (CAS No.)	No substance above 0.1 wt%
-------------------------------------	----------------------------

EF3.1 Climate Change

CO2e kg	0.071 kg CO2e
---------	---------------

Phoenix Contact 2026 © - all rights reserved
<https://www.phoenixcontact.com>

Phoenix Contact USA
586 Fulling Mill Road
Middletown, PA 17057, United States
(+717) 944-1300
info@phoenixcon.com