

HC-STA-D07-BCLFS-PL-BK - Protective cover



1419271

<https://www.phoenixcontact.com/us/products/1419271>

Please be informed that the data shown in this PDF document is generated from our online catalog. Please find the complete data in the user documentation. Our general terms of use for downloads are valid.

Protective cover D7, for single locking latch, material: PA, protective cover material: PA, height: 29.4 mm, seal: no, Standard, with lanyard, for pin inserts



Commercial data

Item number	1419271
Packing unit	1 pc
Minimum order quantity	1 pc
Sales key	BF66
Product key	AF7AZC
GTIN	4055626160221
Weight per piece (including packing)	8.2 g
Weight per piece (excluding packing)	8.2 g
Customs tariff number	85389099
Country of origin	CN

1419271

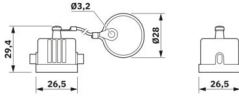
<https://www.phoenixcontact.com/us/products/1419271>

Technical data

Product properties

Product type	Protective cover
Housing type	Protective cover
Application	Standard
Type	D7
Retaining cord present	yes
Seal present	no

Dimensions

Dimensional drawing	
Width	34.2 mm
Height	29.4 mm
Length	26.5 mm
Diameter Retaining cord eyelet	28 mm

Material specifications

Color	black (RAL 9005)
Material Protective cover	PA
Flammability rating according to UL 94	V0 (Polyamide housing)
Housing material	PA
Material, protective cover	PA

Mechanical properties

Mechanical data

Locking type	Pin
--------------	-----

Environmental and real-life conditions

Ambient conditions

Degree of protection	IP66
Ambient temperature (operation)	-20 °C ... 100 °C

Mounting

Assembly note	Plastic protective cover for short-term protection
---------------	--

HC-STA-D07-BCLFS-PL-BK - Protective cover

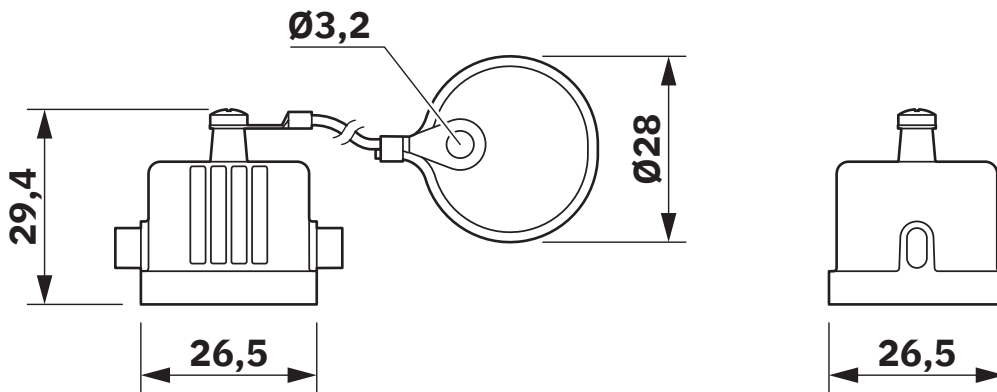
1419271

<https://www.phoenixcontact.com/us/products/1419271>



Drawings

Dimensional drawing



Dimensional drawing

HC-STA-D07-BCLFS-PL-BK - Protective cover



1419271

<https://www.phoenixcontact.com/us/products/1419271>

Approvals

🔗 To download certificates, visit the product detail page: <https://www.phoenixcontact.com/us/products/1419271>

DNV

Approval ID: TAE000037S

1419271

<https://www.phoenixcontact.com/us/products/1419271>

Classifications

ECLASS

ECLASS-13.0	27440208
ECLASS-15.0	27440208

ETIM

ETIM 10.0	EC002314
-----------	----------

UNSPSC

UNSPSC 21.0	39121400
-------------	----------

1419271

<https://www.phoenixcontact.com/us/products/1419271>

Environmental product compliance

EU RoHS

Fulfills EU RoHS substance requirements	Yes, No exemptions
---	--------------------

China RoHS

Environment friendly use period (EFUP)	EFUP-E
	No hazardous substances above the limits

EU REACH SVHC

REACH candidate substance (CAS No.)	No substance above 0.1 wt%
-------------------------------------	----------------------------

Phoenix Contact 2026 © - all rights reserved
<https://www.phoenixcontact.com>

Phoenix Contact USA
586 Fulling Mill Road
Middletown, PA 17057, United States
(+717) 944-1300
info@phoenixcon.com