

# HC-STA-D07-BWS-PL-BK - Housing

1419265

<https://www.phoenixcontact.com/us/products/1419265>

Please be informed that the data shown in this PDF document is generated from our online catalog. Please find the complete data in the user documentation. Our general terms of use for downloads are valid.



Panel mounting base D7, with single locking latch, material: PA, height: 25.5 mm, cable gland: none, Standard

## Commercial data

Item number	1419265
Packing unit	1 pc
Minimum order quantity	1 pc
Sales key	BF56
Product key	AF7APD
GTIN	4055626160160
Weight per piece (including packing)	14.6 g
Weight per piece (excluding packing)	14 g
Customs tariff number	85389099
Country of origin	CN

# HC-STA-D07-BWS-PL-BK - Housing

1419265

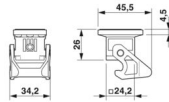
<https://www.phoenixcontact.com/us/products/1419265>

## Technical data

### Product properties

Product type	Housing with locking latch
Housing type	Panel mounting base
Product family	HC-STA-D07
Application	Standard
Type	D7
Shielded	no
Pg screw connection	none

### Dimensions

Dimensional drawing	
Width	34.2 mm
Height	25.5 mm
Length	24.2 mm
Drill hole distance, horizontal	30 mm
Hole diameter	3.2 mm

### Installation dimensions

Width of the assembly cutout	21 mm
Length of the assembly cutout	21 mm

### Material specifications

Flammability rating according to UL 94	V0 (Housing) V0 (Interlock)
Seal material	NBR
Housing material	PA
Locking latch material	PA

### Mechanical properties

#### Mechanical data

Locking type	Latch
--------------	-------

### Connection data

Tightening torque	0.5 Nm (For M3 mounting screws on the panel-mount base)
-------------------	---

### Environmental and real-life conditions

#### Ambient conditions

Degree of protection	IP66
----------------------	------

# HC-STA-D07-BWS-PL-BK - Housing



1419265

<https://www.phoenixcontact.com/us/products/1419265>

Enclosure rating (NEMA)	4 (UL)
	4X (UL)
Impact strength	IK06
Ambient temperature (operation)	-40 °C ... 125 °C

# HC-STA-D07-BWS-PL-BK - Housing

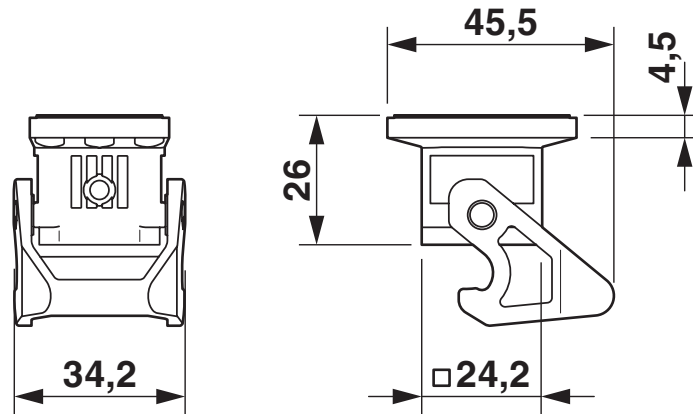
1419265

<https://www.phoenixcontact.com/us/products/1419265>



## Drawings

Dimensional drawing



Dimensional drawing

# HC-STA-D07-BWS-PL-BK - Housing



1419265

<https://www.phoenixcontact.com/us/products/1419265>

Dimensional drawing



- HC-A03
- HC-A04
- HC-D07
- HC-D08
- HC-Q05
- HC-Q07
- HC-Q12



- HC-Q02
- HC-Q03
- HC-Q04

Mounting cutout

# HC-STA-D07-BWS-PL-BK - Housing



1419265

<https://www.phoenixcontact.com/us/products/1419265>

## Approvals

🔗 To download certificates, visit the product detail page: <https://www.phoenixcontact.com/us/products/1419265>

**DNV**

Approval ID: TAE000037S



**cULus Recognized**

Approval ID: E468743

# HC-STA-D07-BWS-PL-BK - Housing



1419265

<https://www.phoenixcontact.com/us/products/1419265>

## Classifications

### ECLASS

ECLASS-13.0	27440202
ECLASS-15.0	27440202

### ETIM

ETIM 10.0	EC000437
-----------	----------

### UNSPSC

UNSPSC 21.0	31261500
-------------	----------

# HC-STA-D07-BWS-PL-BK - Housing



1419265

<https://www.phoenixcontact.com/us/products/1419265>

## Environmental product compliance

### EU RoHS

Fulfills EU RoHS substance requirements	Yes, No exemptions
---	--------------------

### China RoHS

Environment friendly use period (EFUP)	EFUP-E
	No hazardous substances above the limits

### EU REACH SVHC

REACH candidate substance (CAS No.)	No substance above 0.1 wt%
-------------------------------------	----------------------------

Phoenix Contact 2026 © - all rights reserved  
<https://www.phoenixcontact.com>

Phoenix Contact USA  
586 Fulling Mill Road  
Middletown, PA 17057, United States  
(+717) 944-1300  
[info@phoenixcon.com](mailto:info@phoenixcon.com)