

HC-STA-D07-CHWSCM-1TGM20-PL-BK - Housing



1419263

<https://www.phoenixcontact.com/us/products/1419263>

Please be informed that the data shown in this PDF document is generated from our online catalog. Please find the complete data in the user documentation. Our general terms of use for downloads are valid.



Coupling housings D7, with single locking latch, material: PA, protective cover material: PA, cable outlets: 1, straight, M20, height: 60.5 mm, cable gland: with, protective cover: yes, Standard, for pin inserts

Commercial data

| | |
|--------------------------------------|---------------|
| Item number | 1419263 |
| Packing unit | 1 pc |
| Minimum order quantity | 1 pc |
| Sales key | BF56 |
| Product key | AF7APD |
| GTIN | 4055626160146 |
| Weight per piece (including packing) | 35.5 g |
| Weight per piece (excluding packing) | 35.5 g |
| Customs tariff number | 85389099 |
| Country of origin | CN |

1419263

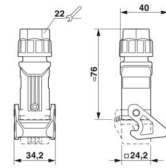
<https://www.phoenixcontact.com/us/products/1419263>

Technical data

Product properties

| | |
|------------------------------|----------------------------|
| Product type | Housing with locking latch |
| Housing type | Coupling housings |
| Product family | HC-STA-D07 |
| Application | Standard |
| Type | D7 |
| No. of cable outlets | 1 |
| Type of the screw connection | M20 |
| Protective cover | yes |
| Shielded | no |
| Cable outlet | straight |
| Pg screw connection | with |

Dimensions

| | |
|---------------------|--|
| Dimensional drawing |  |
| Width | 26.5 mm |
| Height | 60.5 mm |
| Length | 26.5 mm |

Material specifications

| | |
|--|-----------------------|
| Flammability rating according to UL 94 | V0 (Housing) |
| | V0 (Interlock) |
| | V0 (Protective cover) |
| Housing material | PA |
| Material, protective cover | PA |
| Locking latch material | PA |

Mechanical properties

Mechanical data

| | |
|------------------------------|-------|
| Type of the screw connection | M20 |
| Locking type | Latch |

Cable/line

| | |
|-------------------------|----------------|
| External cable diameter | 4 mm ... 10 mm |
|-------------------------|----------------|

Connection data

1419263

<https://www.phoenixcontact.com/us/products/1419263>

| | |
|-------------------------|----------------|
| External cable diameter | 4 mm ... 10 mm |
| Tightening torque | 5 Nm (Cap nut) |

Environmental and real-life conditions

Ambient conditions

| | |
|---------------------------------|--|
| Degree of protection | IP66 (when plugged in or with locked protective cover) |
| Enclosure rating (NEMA) | 4 (UL) |
| | 4X (UL) |
| Impact strength | IK06 |
| Ambient temperature (operation) | -40 °C ... 125 °C |

HC-STA-D07-CHWSCM-1TGM20-PL-BK - Housing

1419263

<https://www.phoenixcontact.com/us/products/1419263>



Drawings

Dimensional drawing



Dimensional drawing

1419263

<https://www.phoenixcontact.com/us/products/1419263>

Approvals

To download certificates, visit the product detail page: <https://www.phoenixcontact.com/us/products/1419263>

DNV

Approval ID: TAE000037S



cULus Recognized

Approval ID: E468743

1419263

<https://www.phoenixcontact.com/us/products/1419263>

Classifications

ECLASS

| | |
|-------------|----------|
| ECLASS-13.0 | 27440202 |
| ECLASS-15.0 | 27440202 |

ETIM

| | |
|-----------|----------|
| ETIM 10.0 | EC000437 |
|-----------|----------|

UNSPSC

| | |
|-------------|----------|
| UNSPSC 21.0 | 31261500 |
|-------------|----------|

1419263

<https://www.phoenixcontact.com/us/products/1419263>

Environmental product compliance

EU RoHS

| | |
|---|--------------------|
| Fulfills EU RoHS substance requirements | Yes, No exemptions |
|---|--------------------|

China RoHS

| | |
|--|--|
| Environment friendly use period (EFUP) | EFUP-E |
| | No hazardous substances above the limits |

EU REACH SVHC

| | |
|-------------------------------------|----------------------------|
| REACH candidate substance (CAS No.) | No substance above 0.1 wt% |
|-------------------------------------|----------------------------|

Phoenix Contact 2026 © - all rights reserved
<https://www.phoenixcontact.com>

Phoenix Contact USA
586 Fulling Mill Road
Middletown, PA 17057, United States
(+717) 944-1300
info@phoenixcon.com