

# HC-STA-D07-CHWS-1TGM25-PL-BK - Housing



1419260

<https://www.phoenixcontact.com/us/products/1419260>

Please be informed that the data shown in this PDF document is generated from our online catalog. Please find the complete data in the user documentation. Our general terms of use for downloads are valid.



Coupling housings D7, with single locking latch, material: PA, cable outlets: 1, straight, M25, height: 60.5 mm, cable gland: with, Standard

## Commercial data

Item number	1419260
Packing unit	1 pc
Minimum order quantity	1 pc
Sales key	BF56
Product key	AF7APD
GTIN	4055626160115
Weight per piece (including packing)	36.6 g
Weight per piece (excluding packing)	36 g
Customs tariff number	85389099
Country of origin	CN

# HC-STA-D07-CHWS-1TGM25-PL-BK - Housing



1419260

<https://www.phoenixcontact.com/us/products/1419260>

## Technical data

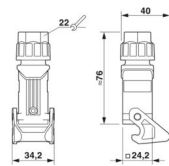
### Notes

General	for contact inserts HC-A03, A04, D07, D08, Q02, Q03, Q04, Q05, Q07, Q12
---------	---

### Product properties

Product type	Housing with locking latch
Housing type	Coupling housings
Product family	HC-STA-D07
Application	Standard
Type	D7
No. of cable outlets	1
Type of the screw connection	M25
Shielded	no
Cable outlet	straight
Pg screw connection	with

### Dimensions

Dimensional drawing	
Width	26.5 mm
Height	60.5 mm
Length	26.5 mm

### Material specifications

Flammability rating according to UL 94	V0 (Housing)
	V0 (Interlock)
Housing material	PA
Locking latch material	PA

### Mechanical properties

#### Mechanical data

Type of the screw connection	M25
Locking type	Latch

### Cable/line

External cable diameter	10 mm ... 16 mm
-------------------------	-----------------

### Connection data

# HC-STA-D07-CHWS-1TGM25-PL-BK - Housing



1419260

<https://www.phoenixcontact.com/us/products/1419260>

External cable diameter	10 mm ... 16 mm
Tightening torque	5 Nm (Cap nut)

## Environmental and real-life conditions

### Ambient conditions

Degree of protection	IP66
Enclosure rating (NEMA)	4 (UL)
	4X (UL)
Impact strength	IK06
Ambient temperature (operation)	-40 °C ... 125 °C

# HC-STA-D07-CHWS-1TGM25-PL-BK - Housing

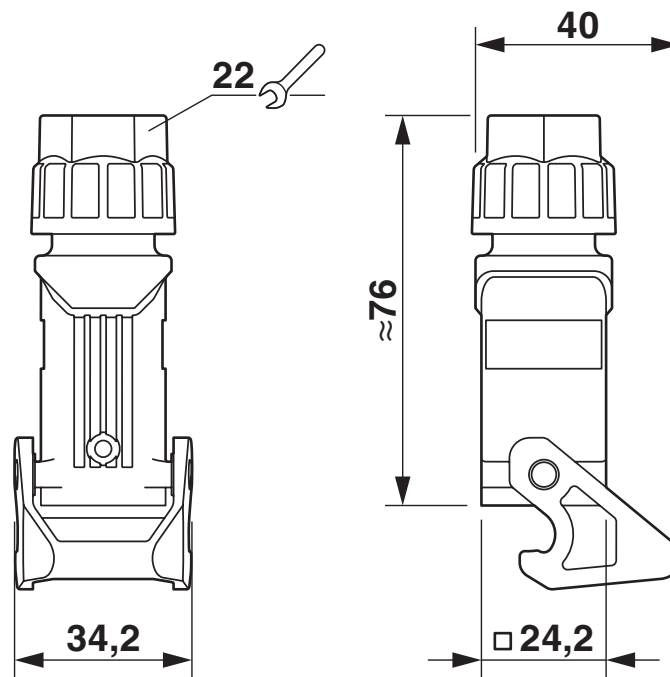
1419260

<https://www.phoenixcontact.com/us/products/1419260>



## Drawings

Dimensional drawing



Dimensional drawing

# HC-STA-D07-CHWS-1TGM25-PL-BK - Housing



1419260

<https://www.phoenixcontact.com/us/products/1419260>

## Approvals

To download certificates, visit the product detail page: <https://www.phoenixcontact.com/us/products/1419260>

**DNV**

Approval ID: TAE000037S



**cULus Recognized**

Approval ID: E468743

1419260

<https://www.phoenixcontact.com/us/products/1419260>

## Classifications

### ECLASS

ECLASS-13.0	27440202
ECLASS-15.0	27440202

### ETIM

ETIM 10.0	EC000437
-----------	----------

### UNSPSC

UNSPSC 21.0	31261500
-------------	----------

1419260

<https://www.phoenixcontact.com/us/products/1419260>

## Environmental product compliance

### EU RoHS

Fulfills EU RoHS substance requirements	Yes, No exemptions
---	--------------------

### China RoHS

Environment friendly use period (EFUP)	EFUP-E
	No hazardous substances above the limits

### EU REACH SVHC

REACH candidate substance (CAS No.)	No substance above 0.1 wt%
-------------------------------------	----------------------------

Phoenix Contact 2026 © - all rights reserved  
<https://www.phoenixcontact.com>

Phoenix Contact USA  
586 Fulling Mill Road  
Middletown, PA 17057, United States  
(+717) 944-1300  
[info@phoenixcon.com](mailto:info@phoenixcon.com)