

# HC-STA-D07-HHFS-1TGM20-PL-BK - Housing



1419255

<https://www.phoenixcontact.com/us/products/1419255>

Please be informed that the data shown in this PDF document is generated from our online catalog. Please find the complete data in the user documentation. Our general terms of use for downloads are valid.



Sleeve housing D7, for single locking latch, material: PA, cable outlets: 1, straight, 1x M20, height: 77.6 mm, cable gland: with, Standard

## Commercial data

Item number	1419255
Packing unit	1 pc
Minimum order quantity	1 pc
Sales key	BF56
Product key	AF7APD
GTIN	4055626159966
Weight per piece (including packing)	25.1 g
Weight per piece (excluding packing)	24 g
Customs tariff number	85389099
Country of origin	CN

# HC-STA-D07-HHFS-1TGM20-PL-BK - Housing

1419255

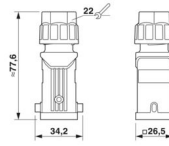
<https://www.phoenixcontact.com/us/products/1419255>

## Technical data

### Product properties

Product type	Housing with locking latch
Housing type	Sleeve housing
Product family	HC-STA-D07
Series	HC-D
Application	Standard
Type	D7
No. of cable outlets	1
Type of the screw connection	1x M20
Shielded	no
Cable outlet	straight
Thread type	M20

### Dimensions

Dimensional drawing	
Width	34.2 mm
Height	77.6 mm
Length	26.5 mm
Wrench size, union nut	22 mm

### Material specifications

Flammability rating according to UL 94	V0 (Housing)
Housing material	PA
Locking latch material	PA

### Mechanical properties

#### Mechanical data

Type of the screw connection	1x M20
Locking type	Pin

### Cable/line

External cable diameter Cable 1	4 mm ... 10 mm
---------------------------------	----------------

### Connection data

External cable diameter	4 mm ... 10 mm
Tightening torque	5 Nm (Cap nut)

# HC-STA-D07-HHFS-1TGM20-PL-BK - Housing



1419255

<https://www.phoenixcontact.com/us/products/1419255>

## Environmental and real-life conditions

### Ambient conditions

Degree of protection	IP66
Enclosure rating (NEMA)	4 (UL)
	4X (UL)
Impact strength	IK06
Ambient temperature (operation)	-40 °C ... 125 °C

# HC-STA-D07-HHFS-1TGM20-PL-BK - Housing

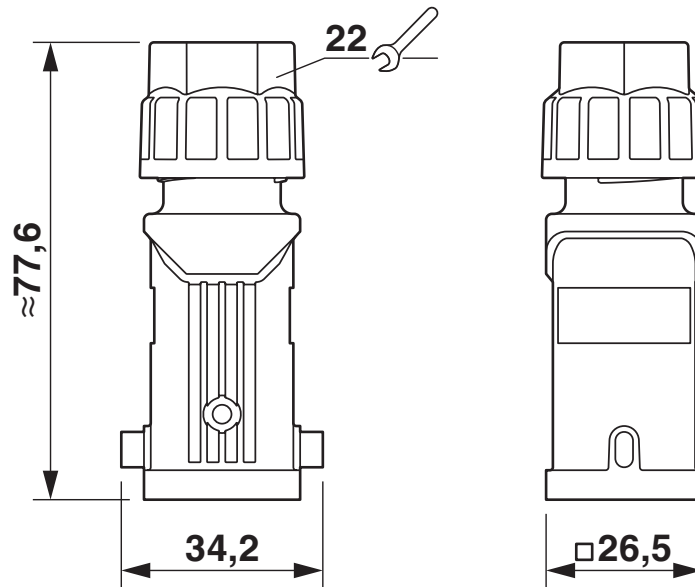
1419255

<https://www.phoenixcontact.com/us/products/1419255>



## Drawings

Dimensional drawing



Dimensional drawing

# HC-STA-D07-HHFS-1TGM20-PL-BK - Housing



1419255

<https://www.phoenixcontact.com/us/products/1419255>

## Approvals

To download certificates, visit the product detail page: <https://www.phoenixcontact.com/us/products/1419255>

**DNV**

Approval ID: TAE000037S



**cULus Recognized**

Approval ID: E468743

1419255

<https://www.phoenixcontact.com/us/products/1419255>

## Classifications

### ECLASS

ECLASS-13.0	27440202
ECLASS-15.0	27440202

### ETIM

ETIM 10.0	EC000437
-----------	----------

### UNSPSC

UNSPSC 21.0	31261500
-------------	----------

1419255

<https://www.phoenixcontact.com/us/products/1419255>

## Environmental product compliance

### EU RoHS

Fulfills EU RoHS substance requirements	Yes, No exemptions
---	--------------------

### China RoHS

Environment friendly use period (EFUP)	EFUP-E
	No hazardous substances above the limits

### EU REACH SVHC

REACH candidate substance (CAS No.)	No substance above 0.1 wt%
-------------------------------------	----------------------------

Phoenix Contact 2026 © - all rights reserved  
<https://www.phoenixcontact.com>

Phoenix Contact USA  
586 Fulling Mill Road  
Middletown, PA 17057, United States  
(+717) 944-1300  
[info@phoenixcon.com](mailto:info@phoenixcon.com)