

# HC-STA-D07-HHFS-1STM20-EL-AL - Housing



1419235

<https://www.phoenixcontact.com/us/products/1419235>

Please be informed that the data shown in this PDF document is generated from our online catalog. Please find the complete data in the user documentation. Our general terms of use for downloads are valid.



Sleeve housing D7, for single locking latch, material: Die-cast aluminum, salt water resistant, cable outlets: 1, lateral, 1x M20, height: 52.8 mm, cable gland: none, Standard

## Commercial data

Item number	1419235
Packing unit	1 pc
Minimum order quantity	1 pc
Sales key	BF56
Product key	AF7APF
GTIN	4055626159683
Weight per piece (including packing)	32.6 g
Weight per piece (excluding packing)	31.8 g
Customs tariff number	85389099
Country of origin	CN

1419235

<https://www.phoenixcontact.com/us/products/1419235>

## Technical data

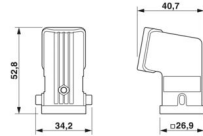
### Notes

General	for contact inserts HC-A03, A04, D07, D08, Q02, Q03, Q04, Q05, Q07, Q12
---------	---

### Product properties

Product type	Housing with locking latch
Housing type	Sleeve housing
Product family	HC-STA-D07
Application	Standard
Type	D7
No. of cable outlets	1
Type of the screw connection	1x M20
Shielded	no
Cable outlet	lateral
Pg screw connection	none

### Dimensions

Dimensional drawing	
Width	40.7 mm
Height	52.8 mm
Length	26.9 mm

### Material specifications

Housing material	Die-cast aluminum, salt water resistant
Housing surface material	uncoated

### Mechanical properties

#### Mechanical data

Type of the screw connection	1x M20
Locking type	Pin

### Environmental and real-life conditions

#### Ambient conditions

Degree of protection	IP66
	IP67
Enclosure rating (NEMA)	4 (UL 50e)
	4X (UL 50e)

# HC-STA-D07-HHFS-1STM20-EL-AL - Housing



1419235

<https://www.phoenixcontact.com/us/products/1419235>

Impact strength	IK06
Ambient temperature (operation)	-40 °C ... 125 °C

# HC-STA-D07-HHFS-1STM20-EL-AL - Housing

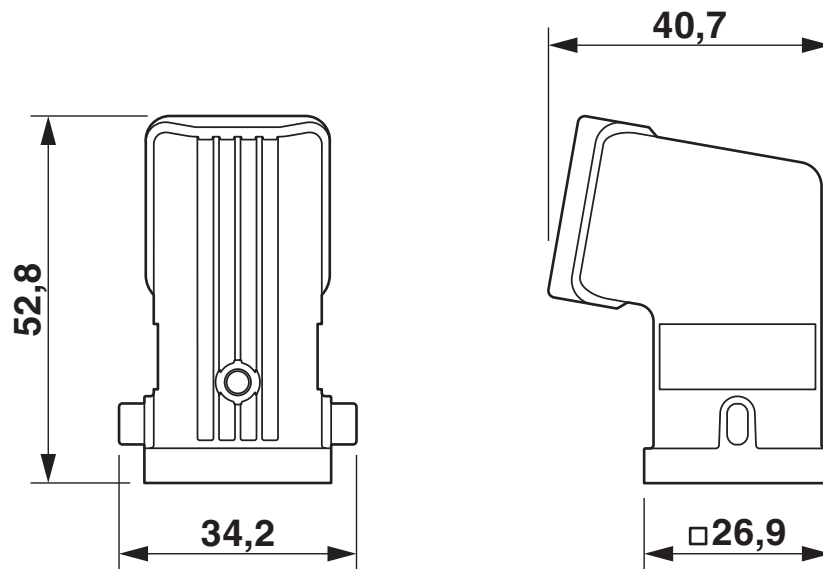


1419235

<https://www.phoenixcontact.com/us/products/1419235>

## Drawings

Dimensional drawing



Dimensional drawing

1419235

<https://www.phoenixcontact.com/us/products/1419235>

## Approvals

To download certificates, visit the product detail page: <https://www.phoenixcontact.com/us/products/1419235>

**DNV**

Approval ID: TAE000037S



**cUL Recognized**

Approval ID: E255026



**UL Recognized**

Approval ID: E255026

1419235

<https://www.phoenixcontact.com/us/products/1419235>

## Classifications

### ECLASS

ECLASS-13.0	27440202
ECLASS-15.0	27440202

### ETIM

ETIM 10.0	EC000437
-----------	----------

### UNSPSC

UNSPSC 21.0	31261500
-------------	----------

1419235

<https://www.phoenixcontact.com/us/products/1419235>

## Environmental product compliance

### EU RoHS

Fulfills EU RoHS substance requirements	Yes, No exemptions
---	--------------------

### China RoHS

Environment friendly use period (EFUP)	EFUP-E
	No hazardous substances above the limits

### EU REACH SVHC

REACH candidate substance (CAS No.)	No substance above 0.1 wt%
-------------------------------------	----------------------------

Phoenix Contact 2026 © - all rights reserved  
<https://www.phoenixcontact.com>

Phoenix Contact USA  
586 Fulling Mill Road  
Middletown, PA 17057, United States  
(+717) 944-1300  
[info@phoenixcon.com](mailto:info@phoenixcon.com)