

# FOC-SB-FRAME-19-LC:12-OM4 BK - Splice box



1418817

<https://www.phoenixcontact.com/us/products/1418817>

Please be informed that the data shown in this PDF document is generated from our online catalog. Please find the complete data in the user documentation. Our general terms of use for downloads are valid.

Splice box, design: 19" rack patch module, degree of protection: IP20, material: Sheet steel, connection method: Splicing, housing size: 1, color: jet black RAL 9005, Ethernet



19" splice box, black, 12 x LC duplex OM4

## Product description

19" FDX 20 series splice boxes, 1 RU, with removable drawer, for 12x LC duplex OM4, black, completely ready to splice (correctly pre-mounted: 12 ceramic couplings, 12 filler plugs, 24 pigtails, 2 cassettes, 4 combs, 1 cassette cover, and 24x shrink splice protectors). 4 cable entries (rear) incl. 2 M20 cable glands, measurement protocol and 19" mounting set.

## Commercial data

Item number	1418817
Packing unit	1 pc
Minimum order quantity	1 pc
Note	Made to order (non-returnable)
Sales key	AB15
Product key	ABNGBA
GTIN	4055626167862
Weight per piece (including packing)	4,070.7 g
Weight per piece (excluding packing)	4,070.7 g
Customs tariff number	85389099
Country of origin	DE

# FOC-SB-FRAME-19-LC:12-OM4 BK - Splice box



1418817

<https://www.phoenixcontact.com/us/products/1418817>

## Technical data

### Product properties

Product type	Network distributor box
Housing type	Component housing
Type	1RU
Connection profile	LC connectors
No. of cable outlets	2
No. of conductors	24
Number of module slots	12
Number of slots	24
Protective cover	yes

### Electrical properties

Attenuation	$\geq 0.3$ dB
-------------	---------------

### Connection data

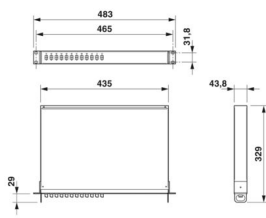
#### Connection technology

Connection method	Splicing
-------------------	----------

### Interfaces

Signal type/category	Ethernet
----------------------	----------

### Dimensions

Dimensional drawing	
Width	483 mm
Height	43.8 mm
Depth	329 mm
Drill hole distance, horizontal	31.75 mm

#### Housing

Housing width	441 mm
---------------	--------

#### Mechanical characteristics

Ferrule diameter	1.25 mm
------------------	---------

### Material specifications

Color	jet black RAL 9005
-------	--------------------

# FOC-SB-FRAME-19-LC:12-OM4 BK - Splice box



1418817

<https://www.phoenixcontact.com/us/products/1418817>

Flammability rating according to UL 94	V0
Ferrule material	Zirconia ceramics
Housing material	Sheet steel
Housing surface material	Powder-coated, black

## Cable/line

Cable type	Fiberglass
Cable type	for all common cable types
Cable structure	semi-loose compact wires (STB)
Signal type/category	Ethernet
Individual wire diameter	900 µm (250/900 µm)
Single wire, color	color coded
Whip length	750 mm

## FO cable

Number of fibers	24
Fiber	GOF
Fiber type	Multimode fiberglass 50/125 µm
Attenuation	≤ 0.3 dBc (with 850 nm)
Transmission medium	FO

## Mechanical properties

### Mechanical data

Insertion/withdrawal cycles	min. 1000
-----------------------------	-----------

## Characteristics

Attenuation	≥ 0.3 dB
-------------	----------

## Environmental and real-life conditions

### Ambient conditions

Degree of protection	IP20
	IP20
Ambient temperature (operation)	-10 °C ... 60 °C

## Mounting

Mounting type	Screw mounting
---------------	----------------

# FOC-SB-FRAME-19-LC:12-OM4 BK - Splice box

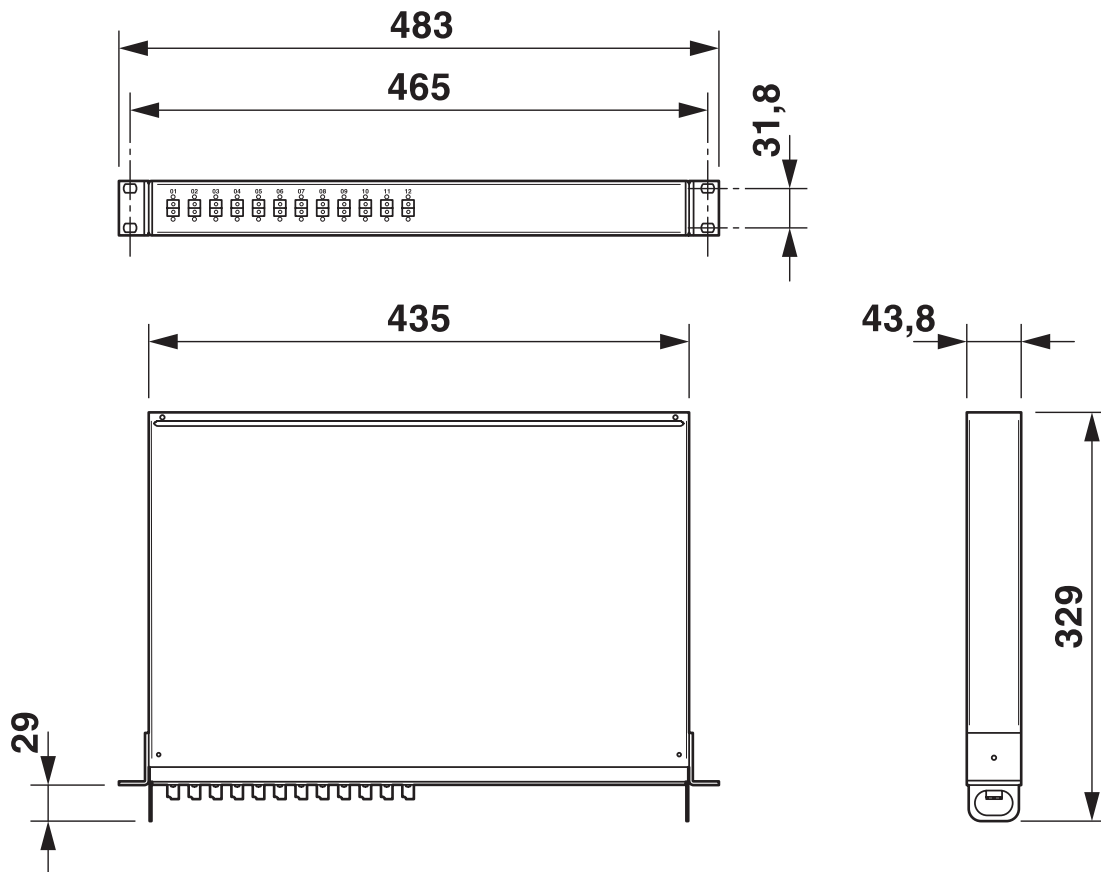


1418817

<https://www.phoenixcontact.com/us/products/1418817>

## Drawings

Dimensional drawing



# FOC-SB-FRAME-19-LC:12-OM4 BK - Splice box



1418817

<https://www.phoenixcontact.com/us/products/1418817>

## Classifications

### UNSPSC

UNSPSC 21.0	39121421
-------------	----------

1418817

<https://www.phoenixcontact.com/us/products/1418817>

## Environmental product compliance

### China RoHS

Environment friendly use period (EFUP)	EFUP-E
	No hazardous substances above the limits

### EU REACH SVHC

REACH candidate substance (CAS No.)	No substance above 0.1 wt%
-------------------------------------	----------------------------

Phoenix Contact 2026 © - all rights reserved  
<https://www.phoenixcontact.com>

Phoenix Contact USA  
586 Fulling Mill Road  
Middletown, PA 17057, United States  
(+717) 944-1300  
[info@phoenixcon.com](mailto:info@phoenixcon.com)