

FOC-SB-FRAME-19-LC:12-OM2 GY - Splice box



1418815

<https://www.phoenixcontact.com/us/products/1418815>

Please be informed that the data shown in this PDF document is generated from our online catalog. Please find the complete data in the user documentation. Our general terms of use for downloads are valid.

Splice box, design: 19" rack patch module, degree of protection: IP20, material: Sheet steel, connection method: Splicing, housing size: 1, color: light gray RAL 7035, Ethernet



19" splice box, gray, 12 x LC duplex OM2

Product description

19" FDX 20 series splice boxes, 1 RU, with removable drawer, for 12x LC duplex OM2, gray, completely ready to splice (correctly pre-mounted: 12 ceramic couplings, 12 filler plugs, 24 pigtails, 2 cassettes, 4 combs, 1 cassette cover, and 24x shrink splice protectors). 4 cable entries (rear) incl. 2 M20 cable glands, measurement protocol and 19" mounting set.

Commercial data

Item number	1418815
Packing unit	1 pc
Minimum order quantity	1 pc
Note	Made to order (non-returnable)
Sales key	AB15
Product key	ABNGBA
GTIN	4055626151694
Weight per piece (including packing)	4,063 g
Weight per piece (excluding packing)	4,063 g
Customs tariff number	85389099
Country of origin	DE

1418815

<https://www.phoenixcontact.com/us/products/1418815>

Technical data

Product properties

Product type	Network distributor box
Housing type	Component housing
Type	1RU
Connection profile	LC connectors
No. of cable outlets	2
No. of conductors	24
Number of module slots	12
Number of slots	24
Protective cover	yes

Electrical properties

Attenuation	≥ 0.3 dB
-------------	---------------

Connection data

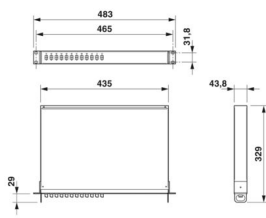
Connection technology

Connection method	Splicing
-------------------	----------

Interfaces

Signal type/category	Ethernet
----------------------	----------

Dimensions

Dimensional drawing	
Width	483 mm
Height	43.8 mm
Depth	329 mm
Drill hole distance, horizontal	31.75 mm

Housing

Housing width	441 mm
---------------	--------

Mechanical characteristics

Ferrule diameter	1.25 mm
------------------	---------

Material specifications

Color	light gray RAL 7035
-------	---------------------

FOC-SB-FRAME-19-LC:12-OM2 GY - Splice box



1418815

<https://www.phoenixcontact.com/us/products/1418815>

Flammability rating according to UL 94	V0
Ferrule material	Zirconia ceramics
Housing material	Sheet steel
Housing surface material	Powder-coated, gray

Cable/line

Cable type	Fiberglass
Cable type	for all common cable types
Cable structure	semi-loose compact wires (STB)
Signal type/category	Ethernet
Individual wire diameter	900 µm (250/900 µm)
Single wire, color	color coded
Whip length	750 mm

FO cable

Number of fibers	24
Fiber	GOF
Fiber type	Multimode fiberglass 50/125 µm
Attenuation	≤ 0.3 dBc (with 850 nm)
Transmission medium	FO

Mechanical properties

Mechanical data

Insertion/withdrawal cycles	min. 1000
-----------------------------	-----------

Characteristics

Attenuation	≥ 0.3 dB
-------------	----------

Environmental and real-life conditions

Ambient conditions

Degree of protection	IP20
	IP20
Ambient temperature (operation)	-10 °C ... 60 °C

Mounting

Mounting type	Screw mounting
---------------	----------------

FOC-SB-FRAME-19-LC:12-OM2 GY - Splice box

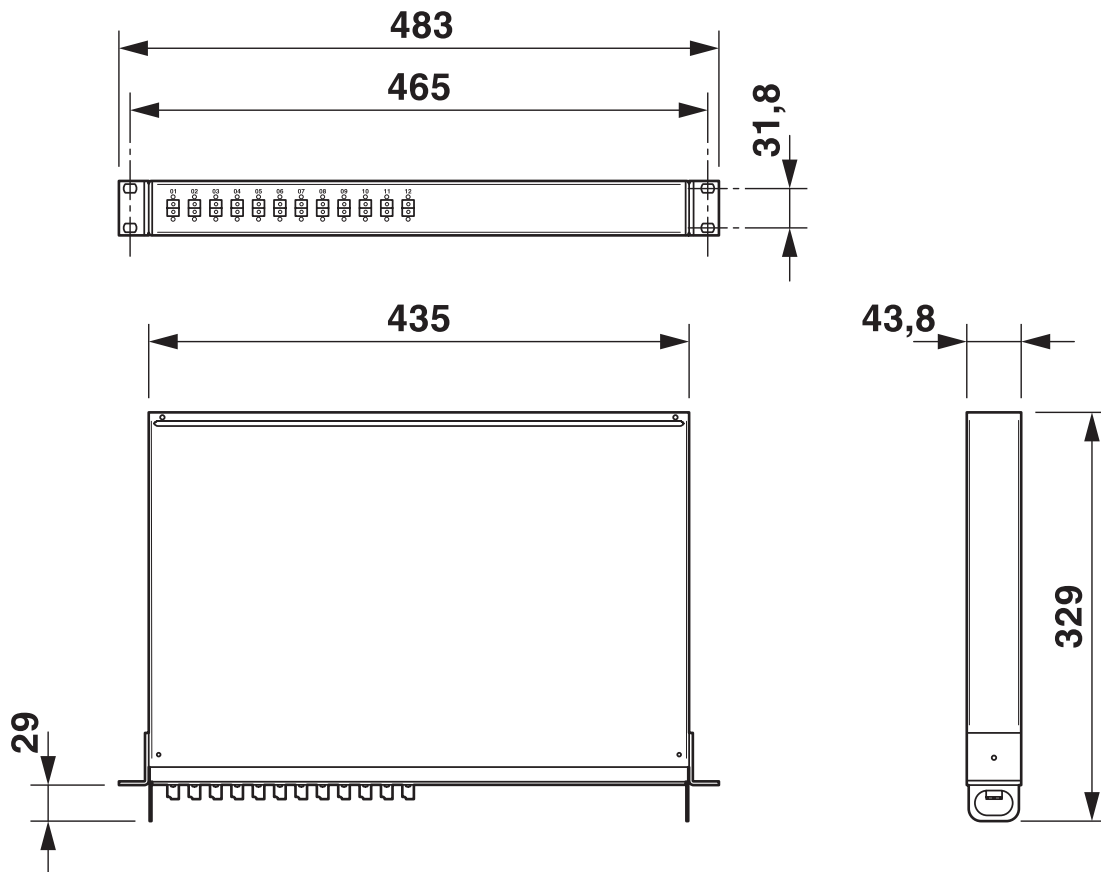


1418815

<https://www.phoenixcontact.com/us/products/1418815>

Drawings

Dimensional drawing



FOC-SB-FRAME-19-LC:12-OM2 GY - Splice box



1418815

<https://www.phoenixcontact.com/us/products/1418815>

Classifications

UNSPSC

UNSPSC 21.0	39121421
-------------	----------

FOC-SB-FRAME-19-LC:12-OM2 GY - Splice box



1418815

<https://www.phoenixcontact.com/us/products/1418815>

Environmental product compliance

China RoHS

Environment friendly use period (EFUP)	EFUP-E
	No hazardous substances above the limits

EU REACH SVHC

REACH candidate substance (CAS No.)	No substance above 0.1 wt%
-------------------------------------	----------------------------

Phoenix Contact 2026 © - all rights reserved
<https://www.phoenixcontact.com>

Phoenix Contact USA
586 Fulling Mill Road
Middletown, PA 17057, United States
(+717) 944-1300
info@phoenixcon.com