

# HC-Q07-I-CT-M - Contact insert



1418624

<https://www.phoenixcontact.com/us/products/1418624>

Please be informed that the data shown in this PDF document is generated from our online catalog. Please find the complete data in the user documentation. Our general terms of use for downloads are valid.



Contact insert, number of positions: 7+PE, size: D7, number of connections per position: 1, Pin, Crimp connection, 400 V, 12 A, 0.14 mm<sup>2</sup> ... 2.5 mm<sup>2</sup>

## Your advantages

- Contact insert including IP65 sealing screw
- Shock and vibration-resistant in accordance with DIN EN 61373

## Commercial data

Item number	1418624
Packing unit	1 pc
Minimum order quantity	1 pc
Sales key	BF61
Product key	AF7ABJ
GTIN	4055626249377
Weight per piece (including packing)	17 g
Weight per piece (excluding packing)	16 g
Customs tariff number	85389099
Country of origin	CN

# HC-Q07-I-CT-M - Contact insert



1418624

<https://www.phoenixcontact.com/us/products/1418624>

## Technical data

### Notes

General	For HC-D7 housing, crimp contacts CK1,6-ED (crimp contacts not included in scope of supply)
General	Connectors may be operated only when there is no load/voltage.

### Mounting

Assembly note	To ensure correct use, installation in housing with IP54 protection or better is required
	Four different coding options to prevent mismatching.
	Contact insert including IP67 sealing screw.

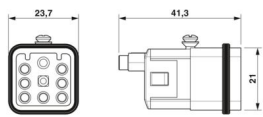
### Product properties

Product type	Contact insert with a fixed no. of positions
Series	HC-Q
Type	D7
Number of positions	7
Connection profile	7+PE
Contact numbering	1 - 7
Number of connections per position	1
Contact material type	turned rolled

### Insulation characteristics

Overvoltage category	III
Degree of pollution	3

### Dimensions

Dimensional drawing	
Width	21 mm
Height	39.5 mm
Length	21 mm

### Mechanical characteristics

Contact diameter	1.6 mm
------------------	--------

### Connection data

#### Connection technology

Connection technology	Crimp connection
-----------------------	------------------

# HC-Q07-I-CT-M - Contact insert



1418624

<https://www.phoenixcontact.com/us/products/1418624>

	PE connection
Number of connections per position	1
Connection in acc. with standard	IEC / EN

## Conductor connection

Conductor cross-section	0.14 mm <sup>2</sup> ... 2.5 mm <sup>2</sup>
Connection cross section AWG	26 ... 14
Tightening torque	0.5 Nm ... 0.8 Nm (Mounting screws for mounting in the HEAVYCON housing)
Stripping length of the individual wire	8 mm
	6 mm (2.5 mm <sup>2</sup> )

## Electrical properties

Rated voltage (III/3)	400 V
Rated surge voltage	6 kV
Rated current	12 A
Test voltage	6 kV

## Mechanical properties

### Mechanical data

Insertion/withdrawal cycles	≥ 500
-----------------------------	-------

## Material specifications

Flammability rating according to UL 94	V0
Seal material	NBR, conductive
Contact material	Copper alloy
Contact surface material	Ag (alternatively Au)
Contact carrier material	PC
Standards/regulations	PC

## Environmental and real-life conditions

### Ambient conditions

Ambient temperature (operation)	-40 °C ... 125 °C (including heating up of contacts)
---------------------------------	--

## Standards and regulations

Constructional and testing regulations	DIN VDE 0627/86
	DIN VDE 0110/02.79
	DIN VDE 0110-1/04.97
	IEC 60664-1, DIN IEC 60512
	IEC 60352
Tests	DIN VDE 0627/86
	DIN VDE 0110/02.79
	DIN VDE 0110-1/04.97
	IEC 60664-1, DIN IEC 60512

# HC-Q07-I-CT-M - Contact insert



1418624

<https://www.phoenixcontact.com/us/products/1418624>

	IEC 60352
--	-----------

## Testing

Standards/regulations	PC: Fire protection in rail vehicles - requirement sets R22, R23, and R24 acc. to DIN EN 45545-2 (Risk level HL1 - HL3)
-----------------------	---

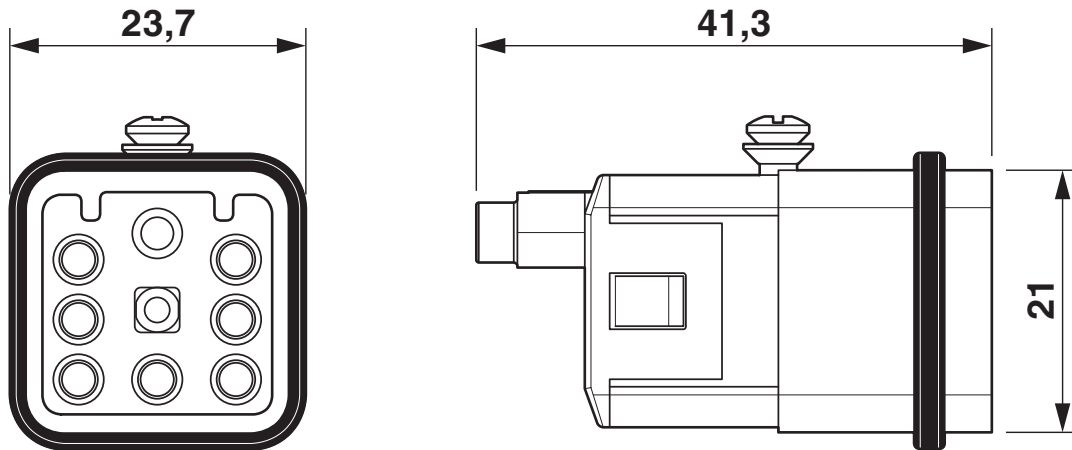
# HC-Q07-I-CT-M - Contact insert

1418624

<https://www.phoenixcontact.com/us/products/1418624>

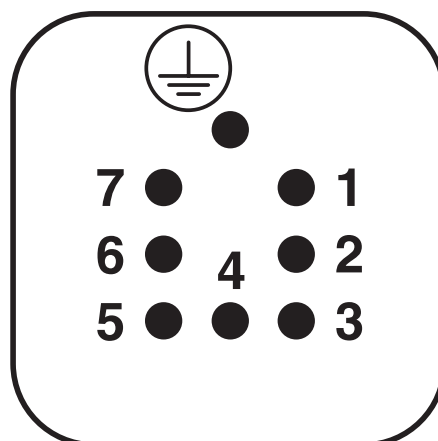
## Drawings

Dimensional drawing



Male insert (turned contacts)

Schematic diagram

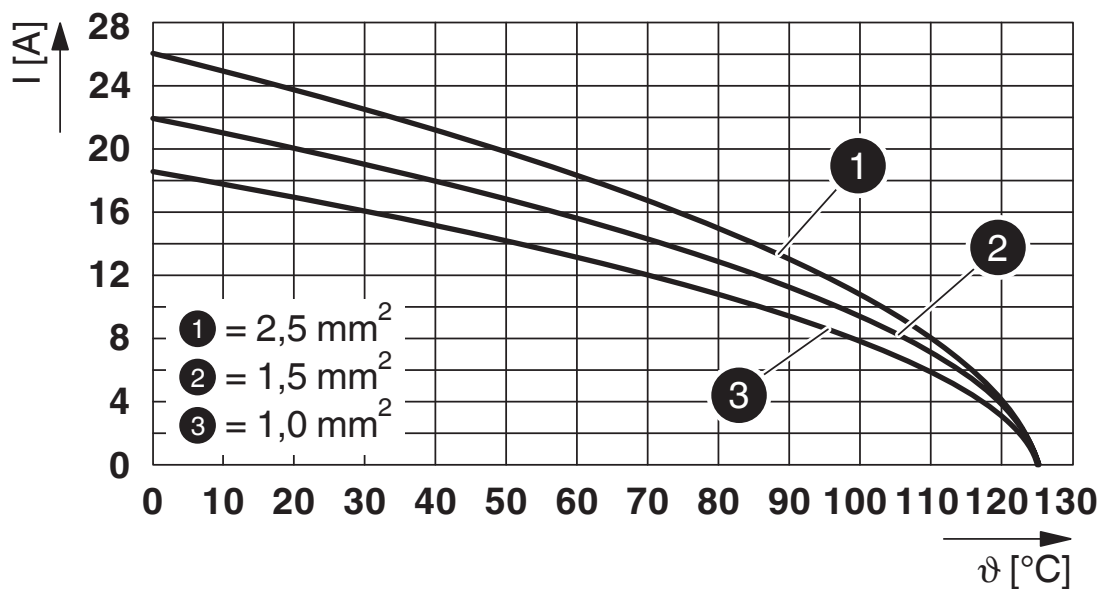


Connector pin assignment (connection side)

1418624

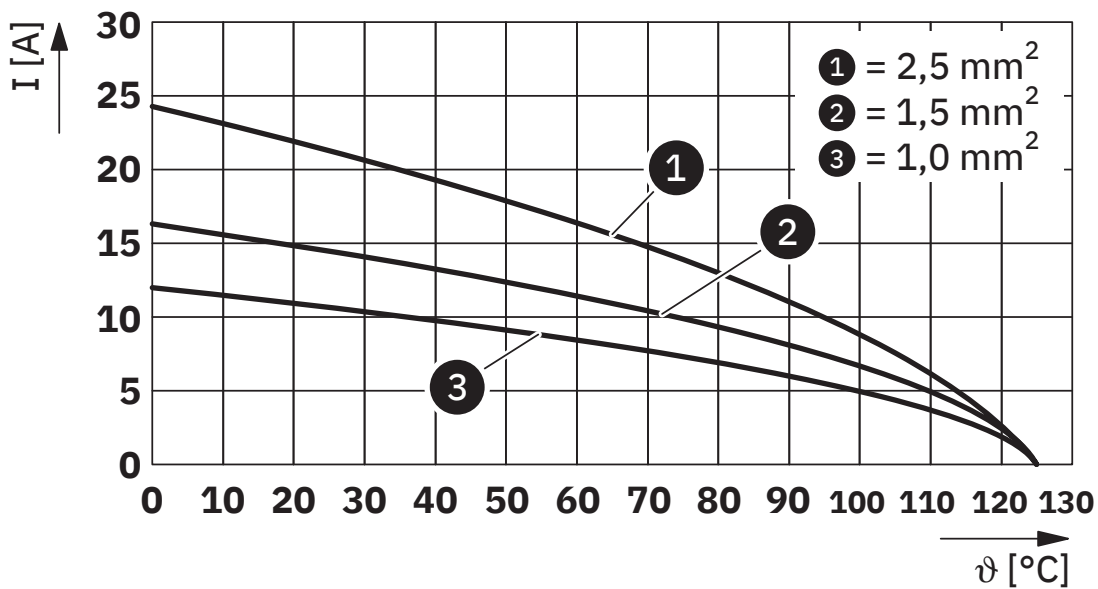
<https://www.phoenixcontact.com/us/products/1418624>

Diagram



Derating diagram turned contacts

Diagram



Derating diagram rolled contacts

# HC-Q07-I-CT-M - Contact insert



1418624

<https://www.phoenixcontact.com/us/products/1418624>

## Approvals

To download certificates, visit the product detail page: <https://www.phoenixcontact.com/us/products/1418624>

### DNV

Approval ID: TAE000037S



### CSA

Approval ID: 158887

	Nominal voltage $U_N$	Nominal current $I_N$	Cross section AWG	Cross section $\text{mm}^2$
keine				
	600 V	13.5 A	- 14	-



### UL Recognized

Approval ID: E118976

	Nominal voltage $U_N$	Nominal current $I_N$	Cross section AWG	Cross section $\text{mm}^2$
keine				
	600 V	17.5 A	- 14	-



### UL Recognized

Approval ID: E468743

	Nominal voltage $U_N$	Nominal current $I_N$	Cross section AWG	Cross section $\text{mm}^2$
keine				
	600 V	15 A	-	-

# HC-Q07-I-CT-M - Contact insert



1418624

<https://www.phoenixcontact.com/us/products/1418624>

## Classifications

### ECLASS

ECLASS-13.0	27440205
ECLASS-15.0	27440205

### ETIM

ETIM 10.0	EC000438
-----------	----------

### UNSPSC

UNSPSC 21.0	39121500
-------------	----------

# HC-Q07-I-CT-M - Contact insert



1418624

<https://www.phoenixcontact.com/us/products/1418624>

## Environmental product compliance

### EU RoHS

Fulfills EU RoHS substance requirements	Yes, No exemptions
---	--------------------

### China RoHS

Environment friendly use period (EFUP)	EFUP-E
	No hazardous substances above the limits

### EU REACH SVHC

REACH candidate substance (CAS No.)	No substance above 0.1 wt%
-------------------------------------	----------------------------

Phoenix Contact 2026 © - all rights reserved  
<https://www.phoenixcontact.com>

Phoenix Contact USA  
586 Fulling Mill Road  
Middletown, PA 17057, United States  
(+717) 944-1300  
[info@phoenixcon.com](mailto:info@phoenixcon.com)