

# SACC-E-MINM-5CON-NPT12-U20/1,0 - Flush-type connector



1417771

<https://www.phoenixcontact.com/us/products/1417771>

Please be informed that the data shown in this PDF document is generated from our online catalog. Please find the complete data in the user documentation. Our general terms of use for downloads are valid.



Flush-type connector, 5-position, Plug, straight, 7/8"-16UNF, on free cable end, Individual wires, cable length: 1 m, 1.50 mm<sup>2</sup>, PVC litz wire

## Commercial data

Item number	1417771
Packing unit	1 pc
Minimum order quantity	1 pc
Note	Made to order (non-returnable)
Sales key	BF14
Product key	AF2ICA
GTIN	4055626341439
Weight per piece (including packing)	119.4 g
Weight per piece (excluding packing)	22.22 g
Customs tariff number	85444290
Country of origin	MX

# SACC-E-MINM-5CON-NPT12-U20/1,0 - Flush-type connector



1417771

<https://www.phoenixcontact.com/us/products/1417771>

## Technical data

### Mounting

Tightening torque	10 lb <sub>F</sub> -in.
	1.12 Nm

### Product properties

Product type	Circular connectors (device side)
Number of positions	5
No. of cable outlets	1
Shielded	no

### Insulation characteristics

Overvoltage category	UL 2238 Sec 38
Degree of pollution	3

### Material specifications

Flammability rating according to UL 94	V-0
Housing surface material	Al anodized
Contact material	Copper alloy
Contact surface material	Au
Contact carrier material	PVC
Material for screw connection	Anodized aluminum

### Electrical properties

Insulation resistance	≥ 100 MΩ
Nominal voltage U <sub>N</sub>	600 V AC/DC (UL rating)
	50 V AC/DC (IEC rating)
Nominal current I <sub>N</sub>	8 A

### Connection data

#### Conductor connection

Connection method	Individual wires
Contact connection type	Pin
Conductor cross-section	1.5 mm <sup>2</sup>
Tightening torque	10 lb <sub>F</sub> -in.
	1.12 Nm

### Mechanical properties

#### Mechanical data

Insertion/withdrawal cycles	> 500
-----------------------------	-------

### Connector

# SACC-E-MINM-5CON-NPT12-U20/1,0 - Flush-type connector



1417771

<https://www.phoenixcontact.com/us/products/1417771>

## Connection 1

Head design	Plug
Head cable outlet	straight
Head thread type	7/8"-16UNF

## Connection 2

Head design	free cable end
-------------	----------------

## Cable/line

Cable length	1 m
Cable type	PVC litz wire
Wire diameter incl. insulation	2.6 mm
Single wire, color	white 1, red 2, green 3, orange 4, black 5
Cable cross section	1.5 mm <sup>2</sup>
AWG signal line	16
Material wire insulation	PVC
Thickness, insulation	Core insulation

## Environmental and real-life conditions

### Ambient conditions

Degree of protection	IP68
	IP68
Ambient temperature (operation) (male connector/female connector)	-20 °C ... 80 °C (Plug)
Ambient temperature (operation)	-20 °C ... 80 °C (cable, fixed installation)

## Standards and regulations

Standard designation	7/8" connector
Standards/specifications	UL 2238
Note	Suitable for use in Class I, Division 2 Groups A, B, C, D hazardous locations according to ISA standard 12.12.01-2015, section 8.2 and 8.8.3

# SACC-E-MINM-5CON-NPT12-U20/1,0 - Flush-type connector



1417771

<https://www.phoenixcontact.com/us/products/1417771>

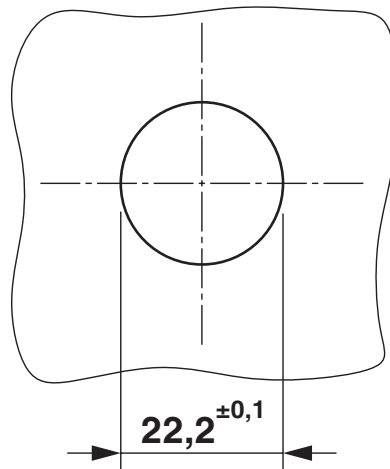
## Drawings

Dimensional drawing



7/8" flush-type plug

Dimensional drawing



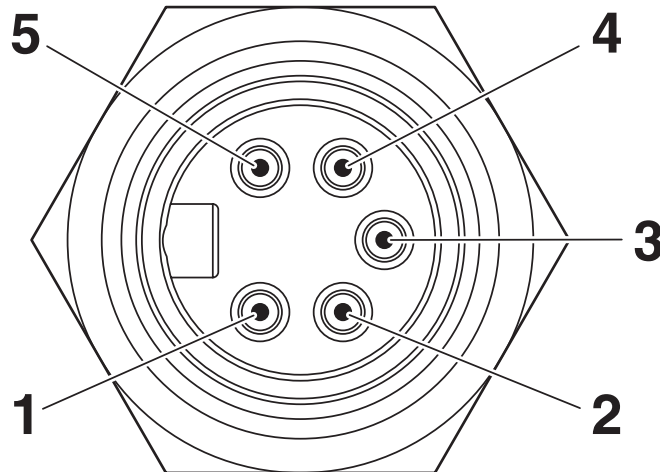
Housing cutout

# SACC-E-MINM-5CON-NPT12-U20/1,0 - Flush-type connector

1417771

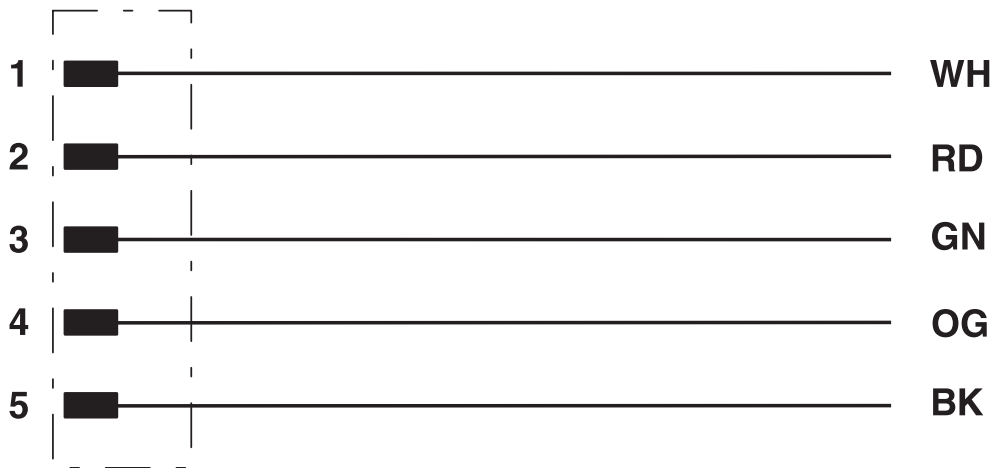
<https://www.phoenixcontact.com/us/products/1417771>

Schematic diagram



Pin assignment, plug, 7/8"-16UNF, 5-pos., view of male side (reference image)

Circuit diagram



Contact assignment of the 7/8" plug

# SACC-E-MINM-5CON-NPT12-U20/1,0 - Flush-type connector



1417771

<https://www.phoenixcontact.com/us/products/1417771>

## Approvals

To download certificates, visit the product detail page: <https://www.phoenixcontact.com/us/products/1417771>



**UL Listed**

Approval ID: FILE E 221474



**cUL Listed**

Approval ID: FILE E 221474

# SACC-E-MINM-5CON-NPT12-U20/1,0 - Flush-type connector



1417771

<https://www.phoenixcontact.com/us/products/1417771>

## Classifications

### ECLASS

ECLASS-13.0	27440109
ECLASS-15.0	27440109

### ETIM

ETIM 10.0	EC003569
-----------	----------

### UNSPSC

UNSPSC 21.0	39121400
-------------	----------

# SACC-E-MINM-5CON-NPT12-U20/1,0 - Flush-type connector



1417771

<https://www.phoenixcontact.com/us/products/1417771>

## Environmental product compliance

### EU RoHS

Fulfills EU RoHS substance requirements	Yes, No exemptions
---	--------------------

### China RoHS

Environment friendly use period (EFUP)	EFUP-E
	No hazardous substances above the limits

### EU REACH SVHC

REACH candidate substance (CAS No.)	No substance above 0.1 wt%
-------------------------------------	----------------------------

### EF3.1 Climate Change

CO2e kg	4.744 kg CO2e
---------	---------------

Phoenix Contact 2026 © - all rights reserved  
<https://www.phoenixcontact.com>

Phoenix Contact USA  
586 Fulling Mill Road  
Middletown, PA 17057, United States  
(+717) 944-1300  
[info@phoenixcon.com](mailto:info@phoenixcon.com)